

RYOBI®

RY36LT33A

ORIGINAL INSTRUCTIONS
TRADUCTION DES INSTRUCTIONS ORIGINALES
ÜBERSETZUNG DER ORIGINALANLEITUNG
TRADUCCIÓN DE LAS INSTRUCCIONES ORIGINALES
TRADUZIONE DELLE ISTRUZIONI ORIGINALI
VERTALING VAN DE ORIGINELE INSTRUCTIES
TRADUÇÃO DAS INSTRUÇÕES ORIGINAIS
OVERSÆTTELSE AF DE ORIGINALE INSTRUKTIONER
ÖVERSÄTTNING AV DE URSPRUNGLIGA INSTRUKTIONERNA
ALKUPERÄISTEN OHJEIDEN SUOMENNO
OVERSETTELSE AV DE ORIGINALE INSTRUKSJONENE
ПЕРЕВОД ОРИГИНАЛЬНЫХ ИНСТРУКЦИЙ
TŁUMACZENIE INSTRUKCJI ORYGINALNEJ
PŘEKLAD ORIGINÁLNÍCH POKYNŮ
AZ EREDETI ÚTMUTATÓ FORDÍTÁSA
TRADUCEREA INSTRUCȚIUNILOR ORIGINALE
TULKOTS NO ORIĢINĀLĀS INSTRUKCIJAS
ORIGINALIŲ INSTRUKCIJŲ VERTIMAS
ORIGINAALJUHENDI TÕLGE
PRIJEVOD ORIGINALNIH UPUTA
PREVOD ORIGINALNIH NAVODIL
PREKLAD ORIGINÁLNYCH POKYNOV
ПРЕВОД ОТ ОРИГИНАЛНИТЕ ИНСТРУКЦИИ
PEREKLAÐ OPIGINALNYX INSTRUKCÍJ
ORIJINAL TALIMATLARIN ÇEVIRILERI



EN
FR
DE
ES
IT
NL
PT
DA
SV
FI
NO
RU
PL
CS
HU
RO
LV
LT
ET
HR
SL
SK
BG
UK
TR





- Important!** It is essential that you read the instructions in this manual before assembling, maintaining and operating the product.
- Attention!** Il est essentiel que vous lisiez les instructions contenues dans ce manuel avant d'assembler, d'entretenir et d'utiliser le produit.
- Achtung!** Es ist wichtig, dass Sie vor Zusammenbau, Wartung und Benutzung des Produktes die Anweisungen in dieser Anleitung lesen.
- ¡Atención!** Resulta fundamental que lea este manual de instrucciones antes de realizar el montaje, el mantenimiento y de utilizar este producto
- Attenzione!** È importante leggere le istruzioni contenute nel presente manuale prima di montare il prodotto, svolgere le operazioni di manutenzione sullo stesso e metterlo in funzione.
- Let op!** Het is van essentieel belang dat u de instructies in deze gebruiksaanwijzing leest voor u het product monteert, onderhoudt en gebruikt.
- Atenção!** É fundamental que leia as instruções deste manual antes da montagem, manutenção e operação do aparelho.
- OBS!** Det er vigtigt, at man læser instrukserne i denne brugsanvisning, inden man samler, vedligeholder og betjener produktet.
- Observera!** Det är viktigt att du läser instruktionerna i manualen före montering, användning och underhåll av produkten.
- Huomio!** On tärkeää, että luet tämän käsikirjan ohjeet ennen tuotteen kokoamista, huoltoa ja käyttöä.
- Advarsel!** Det er viktig at du leser instruksjonene i denne manualen før sammensetning, vedlikehold og bruk av produktet
- Внимание!** Необходимо прочитать инструкции в данном руководстве перед сборкой, обслуживанием и эксплуатацией этого изделия.
- Uwaga!** Koniecznie należy przeczytać instrukcje zawarte w tym podręczniku przed montażem, obsługą oraz konserwacją produktu.
- Důležité upozornění!** Neinstalujte, neprovádějte údržbu ani nepoužívejte tento výrobek dříve, než si přečtete pokyny uvedené v tomto návodu.
- Figyelem!** Fontos, hogy a termék összeszerelése, karbantartása és használatá elött elolvassa a kézikönyvben található utasításokat.
- Atenție!** Este esențial să citiți instrucțiunile din acest manual înainte de asamblare, efectuarea întreinerii și operarea produsului.
- Uzmanību!** Ir svarīgi izlasīt šīs rokasgrāmatas instrukcijas pirms uzstādīšanas, apkopes un precas darbināšanas.
- Dėmesio!** Prieš surenkant, prižiūrint ir naudojam gaminį, būtina perskaityti šiamė vadove pateiktus nurodymus.
- Tähtis!** Enne masina kokkupanekut, hooldamist ja kasutama hakkamist tuleb käesolevas juhendis esitatud juhised kindlasti läbi lugeda.
- Upozorenje!** Vrlo je važno da ste prije sklapanja, održavanja i rada s ovim proizvodom pročitali upute u ovom priručniku.
- Pomembno!** Pomembno je da pred montažo vzdrževanjem in uporabo tega izdelka preberete navodila v tem priročniku.
- Upozornenie!** Je dôležité, aby ste si pred montážou, údržbou a obsluhou produktu prečítali pokyny v tomto návode.
- Важно!** Исключительно важно е да прочетете инструкциите в настоящото ръководство, преди да преминете към сглобяване, поддръжка или работа с продукта.
- Важливо!** Дуже важливо, щоб ви прочитали інструкції в цьому керівництві перед складанням, обслуговуванням та експлуатацією цієї машини.
- Önemli!** Ürünü monte etmeden, kullanmadan ve bakımını yapmadan önce bu kılavuzdaki talimatları okumanız önemlidir.

Subject to technical modification | Sous réserve de modifications techniques | Technische Änderungen vorbehalten | Bajo reserva de modificaciones técnicas | Con riserva di eventuali modifiche tecniche | Technische wijzigingen voorbehouden | Com reserva de modificações técnicas | Med forbehold for tekniske ændringer | Med förbehåll för tekniska ändringar | Tekniset muutokset varataan | Med forbehold om tekniske endringer | могут быть внесены технические изменения | Z zastrzeżeniem modyfikacji technicznych | Změny technických údajů vyhrazeny | A műszaki módosítás jogát fenntartjuk | Sub rezerva modificațiilor tehnice | Paturam tiesības mainīt tehniskos raksturlielumus | Pasiliekiant teisę daryti techninius pakeitimus | Tehnilised muudatused võimalikud | Podloženo tehničkim promjenama | Tehnične spremembe dopuščene | Právo na technické zmeny je vyhradené | Подлежи на технически модификации | Є об'єктом для технічних змін | Teknik değişikliğe tabidir.





EN
FR
DE
ES
IT
NL
PT
DA
SV
FI
NO
RU
CS
HU
RO
LV
LT
ET
HR
SL
SK
BG
UK
TR

Safety, performance, and dependability have been given top priority in the design of your cordless line trimmer.

INTENDED USE

The cordless line trimmer is intended to be used only by adults who have read and understood the instructions and warnings in this manual and can be considered responsible for their actions.

The product is intended only for outdoor use in a well-ventilated area. For safety reasons, the product must be adequately controlled by a two-handed operation.

When fitted with the line trimmer head (and appropriate guard), the product is intended for cutting long grass, pulpy weed, and similar vegetation at or about ground level. The cutting plane should be approximately parallel to the ground surface when trimming.

The product should not be used to cut or trim hedges, bushes, or other vegetation where the cutting plane is not parallel to the ground surface.

Do not use the product for any other purpose.

GENERAL SAFETY WARNINGS

⚠ WARNING

Read all safety warnings and all instructions. Failure to follow the warnings and instructions may result in electric shock, fire and/or serious injury.

⚠ WARNING

When using the product, the safety rules must be followed. For your own safety and that of bystanders, please read these instructions before operating the product. Please keep the instruction safe for later use.

⚠ WARNING

This product is not intended to be used by children or persons with reduced physical, mental, or sensory capabilities. Children should be adequately supervised to ensure that they do not play with the product.

⚠ WARNING

Some regions have regulations that restrict the use of the product. Check with your local authority for advice.

TRAINING

- Read the instructions carefully. Be familiar with all controls and the proper use of the product.
- Never allow children or people who are unfamiliar with these instructions to use the product. Local regulations may restrict the age of the operator.
- Keep bystanders, children, and pets 15 m away from the area of operation. Stop the product if anyone enters the area.
- Never use the product while tired, ill, or under the influence of drugs, alcohol, or under medication.

- Keep in mind that the operator or user is responsible for accidents or hazards occurring to other people or their property.

PREPARATION

- Wear full eye and hearing protection while operating the product. If working in an area where there is a risk of falling objects, head protection must be worn.
- Hearing protection may restrict the operator's ability to hear warning sounds. Pay particular attention to potential hazards around and inside the working area.
- Wear heavy, long trousers, boots, and gloves. Do not wear loose-fitting clothing, short trousers, or jewellery of any kind, and do not use the product with bare feet.
- Secure long hair so that it is above shoulder level to prevent entanglement in moving parts.
- Before use and after any impact, check that there are no damaged parts on the product. A defective switch or any part that is damaged or worn should be properly repaired or replaced by an authorised service centre.
- Make sure that the cutting attachment is properly installed and securely fastened.
- Never operate the product unless all guards, deflectors, and handles are properly and securely attached.
- Consider the environment in which you are working. Keep the working area free from wires, sticks, stones, and debris, which if struck by the cutter can become thrown objects.

BATTERY TOOL USE AND CARE

- Recharge only with the charger specified by the manufacturer. A charger that is suitable for one type of battery pack may create a risk of fire when used with another battery pack.
- Use power tools only with specifically designated battery packs. Use of any other battery packs may create a risk of injury and fire.
- When the battery pack is not in use, keep it away from other metal objects, like paper clips, coins, keys, nails, screws, or other small metal objects that can make a connection from one terminal to another. Shorting the battery terminals together may cause burns or a fire.
- Under abusive conditions, liquid may be ejected from the battery. Avoid contact. If contact accidentally occurs, flush with water. If liquid contacts eyes, additionally seek medical help. Liquid ejected from the battery may cause irritation or burns.

CORDLESS LINE TRIMMER SAFETY WARNINGS

- Never allow children, persons with reduced physical, sensory, or mental capabilities or lack of experience and knowledge, or people who are unfamiliar with these instructions to use the product.
- Use the product in daylight or with good artificial light.
- Avoid using the product on wet grass.
- Keep proper footing and balance at all times, and be sure of proper footing on slopes.
- Do not walk backwards when using the product. Walk, never run.





- Keep the head attachment below waist level.
- Never use the product with damaged guards or without guards in place.
- Do not fit a metal replacement line.
- Keep hands and feet away from the cutting means at all times, especially when turning on the motor.
- Beware, the cutting means continue to rotate after the motor is turned off.
- Beware of objects thrown by the cutting means. Clear debris like small stones, gravel, and other foreign objects from the work area before starting operation. Wires or string may become entangled with the cutting means.
- To reduce the risk of injury associated with contacting moving parts, always turn off the product, remove the battery pack, and allow both to cool down. Make sure that all moving parts have come to a complete stop:
 - before servicing
 - before clearing a blockage
 - before checking, cleaning, and working on the product
 - before changing accessories
 - after striking a foreign object
 - whenever leaving the product unattended
 - whenever performing maintenance
 - whenever the product starts to vibrate abnormally
- Wear full eye and hearing protection while operating the product. If working in an area where there is a risk of falling objects, head protection must be worn.
- Hearing protection may restrict the operator's ability to hear warning sounds. Pay particular attention to potential hazards around and inside the working area.
- Wear heavy, long trousers, boots, and gloves. Do not wear loose-fitting clothing, short trousers, or jewellery of any kind, and do not use the product with bare feet.
- Secure long hair so that it is above shoulder level to prevent entanglement in moving parts.
- The small blade fitted to the safety guard is designed to trim the new extended line to the correct length for safe and optimum performance. The blade is very sharp. Do not touch the blade, particularly when cleaning the product.
- Always ensure that ventilation openings are kept clear of debris.
- Before use and after any impact, check that there are no damaged parts on the product. A defective switch or any part that is damaged or worn should be properly repaired or replaced by an authorised service centre.
- Make sure that the cutting head attachment is properly installed and securely fastened.
- Make sure that all guards, deflectors, and handles are properly and securely attached.
- Do not modify the product in any way. This may increase the risk of injury to yourself or others.
- Use only the manufacturer's replacement cutting line. Do not use any other cutting attachment.

- Immediately turn off the product and remove the battery pack in the event of accident or breakdown. Do not operate the product again until it has been fully checked by an authorised service centre.

⚠ WARNING

Ensure that the line cut-off blade in the guard is properly positioned and secured before each use.

ADDITIONAL BATTERY SAFETY WARNINGS

⚠ WARNING

To reduce the risk of fire, personal injury, and product damage due to a short circuit, never immerse your tool, battery pack, or charger in fluid or allow a fluid to flow inside them. Corrosive or conductive fluids, such as seawater, certain industrial chemicals, and bleach or bleach-containing products, etc., can cause a short circuit.

TRANSPORTATION AND STORAGE

- Turn off the product, remove the battery pack, and allow the product to cool down before storing or transporting.
- Clean all foreign material from the product.
- Do not store or transport the product with the battery pack fitted. Remove the battery pack and secure it separately. Store the product in a cool, dry, and well-ventilated place that is inaccessible to children. Keep the product away from corrosive agents, such as garden chemicals and de-icing salts. Do not store the product outdoors.
- For transportation in vehicles, secure the product against movement or falling to prevent injury to persons or damage to the product.

TRANSPORTING LITHIUM BATTERIES

Transport the battery pack in accordance with local and national provisions and regulations. Follow all special requirements on packaging and labelling when transporting batteries by a third party.

Ensure that no batteries can come in contact with other batteries or conductive materials while in transport by protecting exposed connectors with insulating, non-conductive caps or tape. Do not transport batteries that are cracked or leaking. Check with the forwarding company for further advice.

MAINTENANCE

⚠ WARNING

Use only original manufacturer's replacement parts, accessories, and attachments. Failure to do so can cause possible injury, can contribute to poor performance, and may void your warranty.





⚠ WARNING

Servicing requires extreme care and knowledge and should be performed only by a qualified service technician. Have the product serviced by an authorised service centre only. When servicing, use only original replacement parts.

- Turn off the product and remove the battery pack before conducting any maintenance or cleaning work.
- You may make adjustments or repairs described in this manual. For other repairs, contact an authorised service centre.
- For the replacement line, use only a nylon filament line of the diameter described in the specification table of this manual.
- After extending the new cutter line, always return the product to its normal operating position before starting.
- After each use, clean the product with a soft, dry cloth. Any part that is damaged should be properly repaired or replaced by an authorised service centre.
- Check all nuts, bolts, and screws before each use and at frequent intervals for proper tightness to ensure that the product is in safe working condition. Any part that is damaged should be properly repaired or replaced by an authorised service centre.
- Bring the product to an authorised service centre to replace damaged or unreadable labels.

RESIDUAL RISK

Even when the product is used as prescribed, it is still impossible to completely eliminate certain residual risk factors. The following hazards may arise during use, and the operator should pay special attention to avoid the following:

- injury caused by vibration
 - Hold the product by the designated handles, and restrict working time and exposure.
- injury caused by exposure to noise
 - Wear hearing protection, and limit exposure.
- injury caused by flying debris
 - Wear eye protection at all times.

RISK REDUCTION

It has been reported that vibrations from handheld tools may contribute to a condition called Raynaud's Syndrome. Symptoms may include tingling, numbness, and blanching of the fingers, usually apparent upon exposure to cold. Hereditary factors, exposure to cold and dampness, diet, smoking, and work practices are all thought to contribute to the development of these symptoms. There are measures that can be taken by the operator to possibly reduce the effects of vibration:

- Keep your body warm in cold weather. When operating the product, wear gloves to keep the hands and wrists warm. It is reported that cold weather is a major factor contributing to Raynaud's Syndrome.

- After each period of operation, exercise to increase blood circulation.
- Take frequent work breaks. Limit the amount of exposure per day.

If you experience any of the symptoms of this condition, immediately discontinue use and see your physician.

⚠ WARNING

Injuries may be caused, or aggravated, by prolonged use of a tool. When using any tool for prolonged periods, ensure that you take regular breaks.

KNOW YOUR PRODUCT

See page 109.

Parts

1. Battery port
2. Rear handle
3. Lock-out trigger
4. Variable speed trigger
5. Charger
6. Charger cable
7. Battery pack
8. Battery latch button
9. Spool cover
10. Spool
11. Cutting line
12. Line cut-off blade
13. Grass deflector
14. Lower shaft
15. Front handle

SYMBOLS ON THE PRODUCT



Read and understand all the instructions before operating the product. Follow all the warnings and safety instructions.



Wear eye protection.



Wear ear protection.



Wear non-slip, safety footwear when using the product.



Do not use metal blade(s) on the product.



Do not expose the product to rain or damp condition.

- EN
- FR
- DE
- ES
- IT
- NL
- PT
- DA
- SV
- FI
- NO
- RU
- PL
- CS
- HU
- RO
- LV
- LT
- ET
- HR
- SL
- SK
- BG
- UK
- TR





Beware of thrown or flying objects.
Keep all bystanders, especially children and pets, at least 15 m away from the operating area.



Keep hands away from blades.



Keep hands away from the cut-off blade.



Please read the instructions carefully before using the product.



Guaranteed sound power level is 92 dB.



Waste electrical products should not be disposed of with household waste. Please recycle where facilities exist. Check with your local authority or retailer for recycling advice.



Conforms to all regulatory standards in the country in the EU where the product is purchased.



EurAsian Conformity Mark



Ukrainian mark of conformity

SYMBOLS IN THIS MANUAL



Parts or accessories sold separately



Note



Warning

The following signal words and meanings are intended to explain the levels of risk associated with this product:

DANGER

Indicates an imminently hazardous situation, which, if not avoided, will result in death or serious injury.

WARNING

Indicates a potentially hazardous situation, which, if not avoided, could result in death or serious injury.

CAUTION

Indicates a potentially hazardous situation, which, if not avoided, may result in minor or moderate injury.

CAUTION

Without safety alert symbol

Indicates a situation that may result in property damage.



Votre coupe-bordures sans fil a été conçu en donnant priorité à la sécurité, à la performance et à la fiabilité.

UTILISATION PRÉVUE

L'élagueuse sans fil est uniquement conçue pour une utilisation par les adultes qui ont lu et compris les instructions et avertissements de cette notice et qui peuvent être considérés comme responsables de leurs actes.

Ce produit ne doit être utilisé qu'à l'extérieur dans une zone bien ventilée. Pour des raisons de sécurité, l'appareil doit être manipulé de manière appropriée, en utilisant les deux mains.

Ce produit équipé d'une tête de coupe à fil (et des protections appropriées) est conçu pour couper les herbes hautes, les mauvaises herbes épaisses et les végétaux similaires au niveau du sol, ou à proximité. Le plan de coupe doit être approximativement parallèle à la surface du sol lors de la coupe.

Cet appareil ne doit pas être utilisé pour la coupe ou la taille des haies, buissons ou autres végétaux pour lesquels le plan de coupe n'est pas parallèle à la surface du sol.

Utilisez ce produit pour aucun autre travail.

AVERTISSEMENTS GÉNÉRAUX DE SÉCURITÉ

⚠ AVERTISSEMENT

Lisez les avertissements et indications. Le non-respect des avertissements et instructions peut entraîner une décharge électrique, un incendie et/ou de graves blessures.

⚠ AVERTISSEMENT

Suivez les règles de sécurité lorsque vous utilisez le produit. Pour votre sécurité et celle des passants, veuillez lire ces instructions avant d'utiliser le produit. Veuillez conserver instructions pour vous y reporter ultérieurement.

⚠ AVERTISSEMENT

Ce produit ne doit pas être utilisé par des enfants ou par des personnes aux capacités physiques, sensorielles ou mentales diminuées. Les enfants doivent être bien surveillés afin de s'assurer qu'ils ne jouent pas avec le produit.

⚠ AVERTISSEMENT

La législation de certaines régions restreint l'utilisation du produit. Contactez les autorités locales pour obtenir des conseils.

FORMATION

- Lisez attentivement les instructions. Familiarisez-vous avec les commandes du produit ainsi qu'avec son utilisation correcte.
- Ne laissez jamais les enfants ou les personnes non

familiarisées avec ces instructions utiliser le produit. Les lois locales peuvent imposer un âge minimum à l'opérateur.

- Gardez les passants, les enfants et les animaux éloignés d'au moins 15 m de la zone de travail. Arrêtez le produit lorsque quiconque pénètre dans la zone de travail.
- Ne pas utiliser l'outil si vous êtes fatigué(e) ou si vous avez consommé des drogues, de l'alcool ou des médicaments.
- Gardez à l'esprit que l'opérateur est responsable des accidents qui arrivent aux autres personnes présentes dans sa propriété.

PRÉPARATION

- Portez une protection auditive et oculaire totale lorsque vous utilisez ce produit. Si vous travaillez dans une zone qui comporte des risques de chute d'objets, portez un casque de chantier.
- Le port d'une protection auditive est susceptible de diminuer la capacité de l'opérateur à entendre les sons d'alerte. Faites particulièrement attention aux dangers éventuels dans la zone de travail et à ses alentours.
- Portez des pantalons longs et épais, des bottes et des gants. Ne portez pas de vêtements amples, de shorts ou de bijoux quels qu'ils soient, et ne travaillez pas pieds nus.
- Si vous avez les cheveux longs, attachez-les au-dessus du niveau des épaules afin d'éviter qu'ils ne se prennent dans les parties en mouvement.
- Avant utilisation et après tout impact, vérifiez qu'aucun élément n'est endommagé. Un interrupteur défectueux ou toute autre pièce endommagée doit être correctement remplacée ou réparée par un centre de service agréé.
- Assurez-vous que l'accessoire de coupe est bien en place et bien serré.
- N'utilisez jamais le produit sans que toutes les protections, tous les déflecteurs et toutes les poignées soient bien en place et bien verrouillés.
- Tenez compte de votre environnement de travail. Gardez la zone de travail exempte de fils, bâtons, pierres et débris qui pourraient se voir transformer en projectiles s'ils venaient à être happés par l'élément de coupe.

UTILISATION ET EMPLOI SOIGNEUX DES OUTILS ÉLECTRIQUES SANS FIL

- Ne chargez les blocs de batterie que dans des chargeurs recommandés par le fabricant. Un chargeur approprié à un type spécifique de batterie peut engendrer un risque d'incendie lorsqu'il est utilisé avec une autre batterie.
- Dans les outils électriques, n'utilisez que les blocs de batterie spécialement prévus pour ceux-ci. L'utilisation de tout autre bloc de batterie peut entraîner des blessures et des risques d'incendie.
- Lorsqu'un bloc de batterie n'est pas utilisé, maintenez-le à l'écart de tout autre objet métallique, par exemple trombones, pièces de monnaie, clés, clous, vis ou autres objets de petite taille qui peuvent donner lieu à une connexion d'une borne à une autre. Un court-



circuit entre les contacts de batterie peut provoquer des brûlures ou un incendie.

- En cas d'utilisation abusive, du liquide peut sortir du bloc de batterie. Évitez tout contact avec ce liquide. En cas de contact accidentel, rincez soigneusement avec de l'eau. En cas de contact avec les yeux, consultez également un médecin. Le liquide qui sort du bloc de batterie peut entraîner des irritations de la peau ou causer des brûlures.

MISES EN GARDE DE SÉCURITÉ CONCERNANT LE TAILLE-BORDURE SANS FIL

- Ne laissez jamais les enfants, les personnes aux capacités physiques, sensorielles ou mentales réduites ou n'ayant pas l'habitude ou les connaissances suffisantes, ni les personnes non familiarisées avec ces instructions utiliser ce produit.
- Veillez à ce que votre zone de travail soit bien éclairée (lumière du jour ou lumière artificielle).
- Évitez d'utiliser la machine dans l'herbe mouillée.
- Conserver un bon appui et un bon équilibre en permanence, surtout dans les pentes.
- Ne reculez pas lors de l'utilisation du produit. Marchez, ne courez jamais.
- Garder l'accessoire de tête en dessous du niveau de la taille.
- N'utilisez jamais le produit si ses protections sont absentes ou endommagées.
- N'utilisez jamais de fil de coupe en métal avec votre coupe-bordures.
- Maintenez toujours vos mains et vos pieds éloignés de la tête de fil, en particulier lors de la mise en marche du coupe-bordures.
- Attention, la lame continue de tourner après que le moteur est éteint.
- Prenez garde aux objets projetés par les éléments de coupe. Dégagez la zone de travail des débris tels que les petites pierres, le gravier et autres objets étrangers avant de commencer le travail. Des câbles ou de la ficelle pourraient s'emmêler dans les éléments de coupe.
- Pour réduire les risques de blessures infligées par des pièces mobiles, mettre toujours l'appareil hors tension avant de retirer le bloc-batterie et les laisser tous les deux refroidir. Assurez-vous que tous les éléments en mouvement se sont bien arrêtés:
 - avant entretien
 - avant de retirer une obstruction
 - avant de travailler sur le produit, de le vérifier ou de le nettoyer
 - avant de changer les accessoires
 - après un choc avec un corps étranger
 - lorsque vous laissez le produit sans surveillance
 - à chaque fois qu'une opération de maintenance est effectuée
 - si le produit se met à vibrer de façon anormale
- Portez une protection auditive et oculaire totale lorsque vous utilisez ce produit. Si vous travaillez dans une zone qui comporte des risques de chute d'objets, portez un casque de chantier.

- Le port d'une protection auditive est susceptible de diminuer la capacité de l'opérateur à entendre les sons d'alerte. Faites particulièrement attention aux dangers éventuels dans la zone de travail et à ses alentours.
- Portez des pantalons longs et épais, des bottes et des gants. Ne portez pas de vêtements amples, de shorts ou de bijoux quels qu'ils soient, et ne travaillez pas pieds nus.
- Si vous avez les cheveux longs, attachez-les au-dessus du niveau des épaules afin d'éviter qu'ils ne se prennent dans les parties en mouvement.
- La petite lame montée sur le carter de protection est conçue pour couper à la bonne longueur le fil qui vient de s'allonger, pour des performances sûres et optimales. La lame est très tranchante. Ne pas toucher la lame, tout particulièrement lors du nettoyage du produit.
- Assurez-vous que les ouïes de ventilation sont en permanence exemptes de débris.
- Avant utilisation et après tout impact, vérifiez qu'aucun élément n'est endommagé. Un interrupteur défectueux ou toute autre pièce endommagée doit être correctement remplacée ou réparée par un centre de service agréé.
- Assurez-vous que l'accessoire de coupe est bien en place et bien serré.
- Assurez-vous que toutes les protections, tous les déflecteurs et toutes les poignées sont bien en place et bien verrouillés.
- Ne modifiez pas le produit de quelque manière que ce soit. Sous peine d'augmenter les risques de blessures infligées à vous-même et aux autres.
- N'utilisez que du fil de coupe fourni par le fabricant. N'utilisez aucun autre accessoire de coupe.
- En cas d'accident ou de panne, mettre immédiatement hors tension le bloc-batterie et le déposer. N'utilisez plus le produit jusqu'à ce qu'il ait été entièrement vérifié par un centre de service agréé.

AVERTISSEMENT

Assurez-vous que la lame de taille est correctement positionnée et sécurisée avant toute utilisation.

MISES EN GARDE DE SÉCURITÉ SUPPLÉMENTAIRES CONCERNANT LA BATTERIE

AVERTISSEMENT

Pour réduire le risque d'incendie, de blessures ou d'endommagement du produit causé par un court-circuit, n'immergez jamais l'outil, le bloc de batterie ou le chargeur dans du liquide, et ne laissez jamais de liquide pénétrer dans aucun d'entre eux. Les fluides corrosifs ou conducteurs, tels que l'eau de mer, certains produits chimiques industriels, les produits de blanchiment ou contenant des agents de blanchiment, etc. peuvent provoquer un court-circuit.



EN
FR
DE
ES
IT
NL
PT
DA
SV
FI
NO
PL
RU
CS
HU
RO
LV
LT
ET
HR
SL
SK
BG
UK
TR

TRANSPORT ET STOCKAGE

- Mettez l'appareil hors tension, retirez le bloc-batterie et laissez-le refroidir avant de le ranger ou de le transporter.
- Débarrassez l'appareil de tous les corps étrangers.
- Ne pas stocker ni transporter le produit avec des piles en place. Retirez le bloc-batterie et le fixer séparément. Rangez le produit dans un endroit frais, sec et correctement ventilé, hors de portée des enfants Ne le rangez pas à proximité d'agents corrosifs tels que des produits chimiques de jardinage ou des sels de dégel. Ne le rangez pas à l'extérieur.
- Pour le transport, attachez le produit pour l'empêcher de bouger ou de tomber, afin d'éviter toute blessure et tout dommage matériel.

TRANSPORT DES BATTERIES AU LITHIUM

Transportez les batteries en conformité avec les dispositions et règlements locaux et nationaux. Respectez toutes les exigences légales particulières concernant l'emballage et l'étiquetage des batteries lorsque vous confiez leur transport à un tiers.

Assurez-vous qu'aucune batterie ne puisse entrer en contact avec une autre batterie ou avec des matériaux conducteurs lors de son transport en isolant les bornes électriques avec du ruban adhésif ou des capuchons isolants. Ne transportez pas une batterie qui serait fendue ou qui fuirait. Demandez conseil au transporteur pour de plus amples informations.

ENTRETIEN

⚠ AVERTISSEMENT

N'utilisez que des pièces détachées et accessoires d'origine constructeur. Le non-respect de cette précaution peut entraîner de mauvaises performances, des blessures, et annuler votre garantie.

⚠ AVERTISSEMENT

Les opérations d'entretien demandent un soin et des connaissances extrêmes et ne doivent être effectuées que par un technicien de service qualifié. Confier l'entretien du produit à un centre d'entretien agréé. N'utilisez que des pièces détachées identiques pour effectuer les réparations.

- Coupez l'alimentation et retirez le bloc de batteries avant d'effectuer toute opération de maintenance ou de nettoyage.
- Vous n'êtes autorisé à effectuer que les réglages ou réparations décrits dans ce manuel. Pour les autres réparations, contactez un service après-vente agréé.
- Pour remplacer le fil de coupe, n'utilisez que du fil nylon du diamètre indiqué dans la table des caractéristiques de ce manuel.
- Après avoir déroulé une nouvelle longueur de fil de coupe, remettez toujours le produit en position normale de travail avant de le mettre en marche.

- Après chaque utilisation, utilisez un chiffon propre et sec pour nettoyer le produit. Toute pièce endommagée doit être correctement remplacée ou réparée par un service après-vente agréé.
- Avant chaque utilisation et à intervalles réguliers, vérifiez le bon serrage des écrous, vis et boulons pour que le produit soit toujours en bon état de fonctionnement. Toute pièce endommagée doit être correctement remplacée ou réparée par un service après-vente agréé.
- Apportez le produit à un service après-vente agréé pour remplacer les étiquettes abîmées ou illisibles.

RISQUES RÉSIDUELS

Même lorsque le produit est utilisé selon les prescriptions, il reste impossible d'éliminer totalement certains facteurs de risque résiduels. Les dangers suivants risquent de se présenter en cours d'utilisation et l'utilisateur doit prêter particulièrement garde à ce qui suit:

- Blessures dues aux vibrations
 - Maintenez le produit par les poignées destinées à cet effet et limitez le temps de travail et d'exposition.
- Blessures dues au bruit
 - Portez une protection auditive et limitez le temps d'exposition
- Blessure causée par la chute d'objets.
 - Portez en permanence une protection oculaire.

RÉDUCTION DES RISQUES

Il a été reporté que les vibrations engendrées par les outils tenus à la main peuvent contribuer à l'apparition d'un état appelé le syndrome de Raynaud chez certaines personnes. Les symptômes peuvent comprendre des fourmillements, un engourdissement et un blanchiment des doigts, généralement par temps froid. Des facteurs héréditaires, l'exposition au froid et à l'humidité, le régime alimentaire, le tabagisme et les habitudes de travail peuvent contribuer au développement de ces symptômes. Certaines mesures peuvent être prises par l'utilisateur pour aider à réduire les effets des vibrations:

- Gardez votre corps au chaud par temps froid. Lorsque vous utilisez le produit, portez des gants afin de garder vos mains et vos poignets au chaud. Le temps froid est considéré comme un facteur contribuant très largement à l'apparition du Syndrome de Raynaud.
- Après chaque session de travail, pratiquez des exercices qui favorisent la circulation sanguine.
- Faites des pauses fréquentes. Limitez la quantité d'exposition journalière.

Si vous ressentez l'un des symptômes associés à ce syndrome, arrêtez immédiatement le travail et consultez votre médecin pour lui en faire part.

⚠ AVERTISSEMENT

L'utilisation prolongée d'un outil est susceptible de provoquer ou d'aggraver des blessures. Assurez-vous de faire des pauses de façon régulière lorsque vous utilisez tout outil de façon prolongée.



APPRENEZ À CONNAÎTRE VOTRE PRODUIT

Voir page 109.

Pièces

1. Connexion à la batterie
2. Poignée arrière
3. Manette de verrouillage
4. Gâchette avec variateur
5. Chargeur
6. Câble de chargeur
7. Bloc de batterie
8. Bouton de verrouillage de la batterie
9. Couvercle de bobine
10. Bobine
11. Fil de coupe
12. Lame de taille du fil de coupe
13. Déflecteur d'herbe
14. Arbre inférieur
15. Poignée avant

SYMBOLES APPLIQUES SUR LE PRODUIT



Lire et comprendre toutes les instructions avant d'utiliser l'appareil. Suivre tous les avertissements et consignes de sécurité.



Portez une protection oculaire.



Portez une protection auditive.



Portez des chaussures de sécurité antidérapantes lorsque vous utilisez le produit.



N'utilisez pas de lame(s) métallique(s) sur le produit.



N'exposez pas ce produit à la pluie ou à des conditions humides.



Prenez garde à la projection d'objets au sol et dans les airs. Gardez tous les passants, en particulier les enfants et les animaux, éloignés d'au moins 15 m de distance de la zone de travail.



Gardez vos mains à l'écart des lames.



Gardez vos mains à l'écart des lames.



Veillez lire attentivement le mode d'emploi avant de démarrer la machine.



Le niveau de puissance sonore garanti est 92 dB.



Les produits électriques hors d'usage ne doivent pas être jetés avec les ordures ménagères. Recyclez-les par l'intermédiaire des structures disponibles. Contactez les autorités locales ou votre distributeur pour vous renseigner sur les conditions de recyclage.



Cet outil est conforme à l'ensemble des normes réglementaires du pays de l'UE où il a été acheté.



Marque de qualité EurAsian



Marque de conformité ukrainienne

Les symboles suivants, et les noms qui leur sont associés, permettent d'expliquer les différents niveaux de risques liés à l'utilisation de cet outil:

DANGER

Imminence d'un danger qui, si l'on n'y prend garde, peut entraîner la mort ou des blessures graves.

AVERTISSEMENT

Situation potentiellement dangereuse qui, si l'on n'y prend garde, peut entraîner la mort ou des blessures graves.

ATTENTION

Situation potentiellement dangereuse qui, si l'on n'y prend garde, peut entraîner des blessures moyennes ou légères.

ATTENTION

Sans symbole d'alerte de sécurité

Indique une situation pouvant entraîner des dommages matériels.

SYMBOLES DE CE MANUEL



Pièces détachées et accessoires vendus séparément



Remarque



Avertissement

Sicherheit, Leistung und Zuverlässigkeit hatten oberste Priorität bei der Entwicklung Ihres kabellosen Fadentrimmers.

BESTIMMUNGSGEMÄSSE VERWENDUNG

Der kabellose Fadentrimmer ist ausschließlich zur Nutzung durch Erwachsene konzipiert, die die Anleitung und die Sicherheitshinweise in diesem Handbuch gelesen und verstanden haben und als für ihre Handlungen verantwortlich betrachtet werden können.

Das Produkt ist ausschließlich zur Verwendung in einem gut belüfteten Bereich im Freien vorgesehen. Aus Sicherheitsgründen muss das Produkt durch die Benutzung mit beiden Händen immer ausreichend kontrolliert werden.

Wenn das Gerät mit dem Fadentrimmerkopf (und der entsprechenden Schutzvorkehrung) ausgestattet ist, ist es zum Schneiden von langem Gras, breiigem Unkraut und ähnlicher Vegetation auf und über Bodenebene vorgesehen. Die Schneideebene sollte beim Schneiden etwa parallel zur Bodenoberfläche ausgerichtet sein.

Das Produkt darf nicht zum Schneiden oder Trimmen von Hecken, Büschen oder anderer Vegetation verwendet werden, wobei die Schnittebene sich nicht parallel zur Oberfläche des Untergrunds befindet.

Es darf zu keinen anderen Zwecken verwendet werden.

ALLGEMEINE SICHERHEITSWARNUNGEN

WARNUNG

Lesen Sie alle Sicherheitshinweise und Anweisungen. Versäumnisse bei der Einhaltung der Sicherheitshinweise und Anweisungen können elektrischen Schlag, Brand und/oder schwere Verletzungen verursachen.

WARNUNG

Die Sicherheitsregeln müssen befolgt werden, wenn dieses Produkt benutzt wird. Lesen Sie für Ihre eigene Sicherheit und die von Außenstehenden diese Anweisungen, bevor Sie das Produkt benutzen. Bitte bewahren Sie die Anweisungen zum späteren Nachschlagen auf.

WARNUNG

Dieses Produkt ist nicht für Kinder oder Personen mit verminderten physischen, geistigen oder sensorischen Fähigkeiten geeignet. Kinder müssen ausreichend beaufsichtigt werden, so dass gewährleistet ist, dass sie nicht mit dem Produkt spielen.

WARNUNG

In einigen Regionen können Vorschriften die Benutzung dieses Produkts einschränken. Lassen Sie sich von Ihrer örtlichen Behörde beraten.

UNTERWEISUNG

- Lesen Sie die Anweisungen sorgfältig durch. Machen Sie sich mit den Bedienelementen und dem ordnungsgemäßen Gebrauch des Produktes vertraut.
- Erlauben Sie niemals Kindern oder Personen, die mit diesen Anweisungen nicht vertraut sind, das Produkt zu benutzen. Die lokale Gesetzgebung regelt das Mindestalter des Benutzers.
- Halten Sie Zuschauer, Kinder und Haustiere 15 m von dem Arbeitsbereich fern. Stoppen Sie das Produkt, wenn jemand diesen Bereich betritt.
- Arbeiten Sie mit diesem Produkt nicht, wenn Sie müde oder krank sind, oder unter dem Einfluss von Alkohol, Drogen oder Medikamenten stehen.
- Vergessen Sie nie, dass der Benutzer verantwortlich ist für Unfälle und Gefahren, die an Eigentum Fremder oder an anderen Personen entstehen könnte.

VORBEREITUNG

- Tragen Sie bei Einsatz dieses Geräts vollen Augen- und Gehörschutz. Bei Arbeiten in Bereichen, wo die Gefahr herabfallender Objekte besteht, muss Kopfschutz getragen werden.
- Ein Gehörschutz kann die Fähigkeit des Benutzers, Warntöne zu hören, einschränken. Achten Sie besonders auf mögliche Gefahren um und in dem Arbeitsbereich.
- Tragen Sie lange, schwere Hosen, Stiefel und Handschuhe. Tragen Sie keine locker sitzende Kleidung, kurze Hosen und keinen Schmuck. Gehen Sie nicht barfuß.
- Binden Sie lange Haare zurück, so dass diese sich über Schulterhöhe befinden, um zu verhindern, dass sie sich in beweglichen Teilen verfangen.
- Überprüfen Sie vor jeder Benutzung und nach jedem Schlag, dass keine Teile beschädigt sind. Ein defekter Schalter oder ein anderes Teil, das beschädigt oder abgenutzt ist, muss durch den autorisierten Kundendienst ordnungsgemäß repariert oder ausgetauscht werden.
- Stellen Sie sicher, dass der Schneidaufsatz ordnungsgemäß montiert und befestigt ist.
- Bedienen Sie das Produkt niemals, ohne dass alle Schutzvorrichtungen, Abweiser und Griffe ordnungsgemäß und sicher befestigt sind.
- Prüfen Sie die Umgebung, in der Sie arbeiten. Halten Sie den Arbeitsbereich frei von Drähten, Stöcken, Steinen und Unrat, die emporgeschleudert werden können, wenn sie von dem Schneidwerkzeug getroffen werden.

VERWENDUNG UND BEHANDLUNG DES AKKUWERKZEUGES

- Laden Sie die Akkus nur in Ladegeräten auf, die vom Hersteller empfohlen werden. Für ein Ladegerät, das für eine bestimmte Art von Akkus geeignet ist, besteht Brandgefahr, wenn es mit anderen Akkus verwendet wird.



- Verwenden Sie nur die dafür vorgesehenen Akkus in den Elektrowerkzeugen. Der Gebrauch von anderen Akkus kann zu Verletzungen und Brandgefahr führen.
- Halten Sie den nicht benutzten Akku fern von Büroklammern, Münzen, Schlüsseln, Nägeln, Schrauben oder anderen kleinen Metallgegenständen, die eine Überbrückung der Kontakte verursachen könnten. Ein Kurzschluss zwischen den Akkukontakten kann Verbrennungen oder Feuer zur Folge haben.
- Bei falscher Anwendung kann Flüssigkeit aus dem Akku austreten; vermeiden Sie den Kontakt damit. Bei zufälligem Kontakt mit Wasser abspülen. Wenn die Flüssigkeit in die Augen kommt, nehmen Sie zusätzlich ärztliche Hilfe in Anspruch. Austretende Akkuflüssigkeit kann zu Hautreizungen oder Verbrennungen führen.

SICHERHEITSHINWEISE FÜR AKKU-GRASTRIMMER

- Lassen Sie niemals Kinder, Personen mit eingeschränkten körperlichen, sensorischen oder mentalen Fähigkeiten oder mangelnder Erfahrung und Wissen oder Personen die mit diesen Anweisungen nicht vertraut sind, das Produkt benutzen.
- Benutzen Sie das Produkt nur bei Tageslicht oder bei guter künstlicher Beleuchtung.
- Vermeiden Sie es die Maschine in nassem Gras zu benutzen.
- Achten Sie jederzeit auf korrekten Stand und Balance und stellen Sie bei Gefälle den festen Stand sicher.
- Gehen Sie nicht rückwärts, wenn Sie das Produkt benutzen. Gehen Sie immer, laufen Sie nie.
- Halten Sie das Bürstenteil unterhalb der Taille.
- Nutzen Sie das Produkt niemals mit beschädigten oder nicht montierten Schutzvorrichtungen.
- Verwenden Sie niemals einen Metallfaden als Ersatz.
- Halten Sie Ihre Hände und Füße jederzeit weit vom Schneidwerkzeug entfernt, vor allem, wenn sie den Motor einschalten.
- Achtung: Die Schneidvorrichtung dreht sich auch nach dem Ausschalten des Motors noch weiter.
- Achten Sie auf Objekte, die durch das Schneidwerkzeug geschleudert werden können. Entfernen Sie alle Unrat, wie kleine Steine, Kies und andere Fremdkörper von dem Arbeitsbereich, bevor Sie die Arbeit beginnen. Drähte oder Schnüre können im Schneidwerkzeug verwickelt werden.
- Um das Verletzungsrisiko bei Kontakt mit beweglichen Teilen zu verringern, schalten Sie das Gerät immer aus, nehmen Sie den Akkusatz heraus und lassen sie beides abkühlen. Stellen Sie sicher, dass alle bewegenden Teile vollständig angehalten sind:
 - bevor Sie das Produkt warten
 - bevor Sie eine Blockierung entfernen
 - bevor Sie das Produkt prüfen, reinigen oder daran arbeiten
- bevor Sie Zubehörteile wechseln
- nachdem ein Fremdkörper getroffen wurde
- wenn Sie das Produkt unbeaufsichtigt zurücklassen
- wenn Sie Wartungsarbeiten durchführen
- wenn die Maschine anfängt ungewöhnlich zu vibrieren
- Tragen Sie bei Einsatz dieses Geräts vollen Augen- und Gehörschutz. Bei Arbeiten in Bereichen, wo die Gefahr herabfallender Objekte besteht, muss Kopfschutz getragen werden.
- Ein Gehörschutz kann die Fähigkeit des Benutzers, Warntöne zu hören, einschränken. Achten Sie besonders auf mögliche Gefahren um und in dem Arbeitsbereich.
- Tragen Sie lange, schwere Hosen, Stiefel und Handschuhe. Tragen Sie keine locker sitzende Kleidung, kurze Hosen und keinen Schmuck. Gehen Sie nicht barfuß.
- Binden Sie lange Haare zurück, so dass diese sich über Schulterhöhe befinden, um zu verhindern, dass sie sich in beweglichen Teilen verfangen.
- Das kleine Messer am Schneidgarniturschutz wurden so konstruiert, dass es den neu verlängerten Schneidfaden sicher und optimal kürzt. Das Messer ist sehr scharf. Berühren Sie das Messer, vor allem beim Reinigen des Geräts, nicht.
- Stellen Sie immer sicher, dass die Belüftungsöffnungen frei von Ablagerungen gehalten werden.
- Überprüfen Sie vor jeder Benutzung und nach jedem Schlag, dass keine Teile beschädigt sind. Ein defekter Schalter oder ein anderes Teil, das beschädigt oder abgenutzt ist, muss durch den autorisierten Kundendienst ordnungsgemäß repariert oder ausgetauscht werden.
- Stellen Sie sicher, dass der Schneidaufsatz ordnungsgemäß montiert und sicher befestigt ist.
- Stellen Sie sicher, dass alle Schutzvorrichtungen, Abweiser und Griffe ordnungsgemäß und sicher befestigt sind.
- Verändern Sie das Produkt nicht in irgendeiner Weise. Dies könnte das Verletzungsrisiko für Sie und andere erhöhen.
- Verwenden Sie nur den Ersatz-Schneidfaden des Herstellers. Benutzen Sie keinen anderen Schneidaufsatz.
- Schalten Sie das Gerät bei Unfällen oder Ausfällen sofort aus und entfernen Sie den Akku. Das Produkt darf nicht wieder in Betrieb genommen werden, bis es vollständig von einem autorisierten Kundendienst überprüft wurde.

WARNUNG

Vergewissern Sie sich vor jedem Einsatz, dass die an der Schutzvorrichtung angebrachte Fadenabschneider sich in der richtigen Position befindet und gesichert ist.



WEITERE SICHERHEITSHINWEISE ZUM AKKU

⚠️ WARNUNG

Um die durch einen Kurzschluss verursachte Gefahr eines Brandes, von Verletzungen oder Produktbeschädigungen zu vermeiden, tauchen Sie das Werkzeug, den Wechselakku oder das Ladegerät nicht in Flüssigkeiten ein und sorgen Sie dafür, dass keine Flüssigkeiten in die Geräte und Akkus eindringen. Korrodierende oder leitfähige Flüssigkeiten, wie Salzwasser, bestimmte Chemikalien und Bleichmittel oder Produkte, die Bleichmittel enthalten, können einen Kurzschluss verursachen.

TRANSPORT UND LAGERUNG

- Stoppen Sie das Produkt, entfernen Sie den Akku und lassen es abkühlen, bevor Sie sie es lagern oder transportieren.
- Entfernen Sie alle Fremdkörper vom Produkt.
- Vermeiden Sie es, das Produkt mit eingeletem Akku zu lagern oder zu transportieren. Entfernen Sie den Akku und sichern Sie ihn separat. Lagern Sie das Produkt an einem kühlen, trockenen und gut belüfteten Ort, der Kindern keinen Zugang bietet. Von korrodierend wirkenden Stoffen, wie Gartenchemikalien und Enteisungssalzen, fernhalten. Nicht im Freien lagern.
- Sichern Sie das Produkt beim Transport in einem Fahrzeug gegen Bewegung oder Herunterfallen, um Verletzungen an Personen und Beschädigung des Produkts zu verhindern.

TRANSPORT VON LITHIUM-IONEN-AKKUS

Transportieren Sie Akkus gemäß Ihren örtlichen und nationalen Bestimmungen und Regeln. Befolgen Sie alle besonderen Anforderungen für Verpackung und Beschriftung, wenn Sie Akkus von Dritten transportieren lassen.

Stellen Sie sicher, dass beim Transport kein Akku in Kontakt mit anderen Akkus oder leitenden Materialien kommt, indem Sie die freien Anschlüsse mit Isolierband, nichtleitenden Kappen oder Klebeband schützen. Beschädigte oder auslaufende Akkus dürfen nicht transportiert werden. Weitere Informationen erhalten Sie bei Ihrem Transportunternehmen.

WARTUNG UND PFLEGE

⚠️ WARNUNG

Verwenden Sie ausschließlich original Ersatzteile, Zubehör und Aufsätze des Herstellers. Nichtbefolgung kann mögliche Verletzungen oder schlechte Leistung verursachen und Ihre Garantie ungültig machen.

⚠️ WARNUNG

Service und Wartung des Gerätes erfordert besonderen Sorgfalt und Kenntnisstand und sollte nur durch qualifiziertes Personal durchgeführt werden. Lassen Sie das Gerät nur von einem autorisierten Servicecenter warten. Beim Service dürfen Sie nur originale Ersatzteile benutzen.

- Schalten Sie das Gerät aus und entfernen Sie den Akku vor der Durchführung von Wartungs- oder Reinigungsarbeiten.
- Sie dürfen die in dieser Bedienungsanleitung beschriebenen Einstellungen und Reparaturen durchführen. Kontaktieren Sie Ihren autorisierten Kundendienst für andere Reparaturen.
- Verwenden Sie als Ersatzfaden nur Nylonfaden mit einem Durchmesser wie in der Spezifikations-Tabelle in dieser Bedienungsanleitung beschrieben.
- Bringen Sie das Produkt nach dem Herausschieben von neuem Faden immer erst wieder in die normale Arbeitsposition, bevor Sie es einschalten.
- Reinigen Sie das Produkt nach jeder Benutzung mit einem weichen, trockenen Lappen. Jedes beschädigte Teil muss durch den autorisierten Kundendienst ordnungsgemäß repariert oder ausgetauscht werden.
- Überprüfen Sie Bolzen, Muttern und Schrauben immer wieder und vor jedem Gebrauch, ob alle fest angezogen sind, so dass das Produkt in einem sicheren Zustand ist. Jedes beschädigte Teil muss durch den autorisierten Kundendienst ordnungsgemäß repariert oder ausgetauscht werden.
- Bringen Sie das Produkt einem autorisierten Kundendienst zurück, um beschädigte oder unleserliche Aufkleber zu ersetzen.

RESTRISIKEN

Sogar wenn das Produkt wie vorgeschrieben benutzt wird, ist es unmöglich ein gewisses Restrisiko vollständig zu beseitigen. Die folgenden Gefahren können bei der Benutzung entstehen, und der Benutzer sollte besonders auf folgende Punkte achten:

- Durch Vibrationen verursachte Verletzungen.
 - Halten Sie das Produkt an den dafür vorgesehenen Griffen und schränken Sie die Arbeitszeit und Belastung ein.
- Lärm kann zu Gehörschaden führen.
 - Tragen Sie einen Gehörschutz und schränken Sie die Belastung ein.
- Durch geschleuderte Objekte verursachte Verletzungen
 - Tragen Sie immer einen Augenschutz.

RISIKOVERRINGERUNG

Vibrationen von in der Hand gehaltenen Werkzeugen können bei einigen Personen zu einem Zustand, der Raynaud-Syndrom genannt wird, führen. Symptome sind u.a. Kribbeln, Taubheitsgefühl und episodische Weißfärbung der Finger und treten normalerweise bei Kälte auf. Man geht davon aus, dass ererbte Faktoren, Kälte und Feuchtigkeit, Essgewohnheiten, Rauchen und Arbeitsweise zur Entwicklung dieser Symptome beitragen. Der Anwender kann Maßnahmen ergreifen, um die Auswirkungen der Vibrationen möglicherweise zu verringern:

- Halten Sie den Körper bei Kälte warm. Tragen Sie beim Betrieb des Produkts Handschuhe, um Hände und Handgelenke warm zu halten. Berichten zu Folge ist kaltes Wetter ein wesentlicher Faktor, der zum Raynaud Syndrom beiträgt.

- Betätigen Sie sich nach jedem Einsatz körperlich, um den Blutkreislauf zu steigern.
- Machen Sie regelmäßig Pausen. Beschränken Sie die Beanspruchung pro Tag.

Sollten bei Ihnen Symptome dieses Zustands auftreten, stellen Sie unverzüglich den Betrieb ein und suchen Sie in Hinsicht auf die Symptome einen Arzt auf.

⚠️ WARNUNG

Verletzungen können durch lange Benutzung eines Werkzeugs entstehen oder verschlimmert werden. Machen Sie regelmäßig Pause, wenn Sie ein Werkzeug für lange Zeit benutzen.

MACHEN SIE SICH MIT IHREM PRODUKT VERTRAUT

Siehe Seite 109.

Teile

1. Anschluss an den Akku
2. Hinterer Handgriff
3. Verriegelung Ein-/Ausmacher
4. Variable Geschwindigkeitskontrolle
5. Ladegerät
6. Ladekabel
7. Akku
8. Knopf der Akkulasche
9. Spulenabdeckung
10. Spule
11. Schneidfaden
12. Fadenabschneider
13. Grasabweiser
14. Unterer Schaft
15. Vorderer Handgriff

SYMBOLS AUF DEM PRODUKT



Vor dem Bedienen des Produkts müssen Sie alle Anweisungen lesen und verstehen. Befolgen Sie alle Warn- und Sicherheitshinweise.



Tragen Sie einen Augenschutz.



Tragen Sie einen Gehörschutz.



Tragen Sie rutschfeste Sicherheitsschuhe, wenn Sie dieses Produkt benutzen.



Benutzen Sie kein(e) Metallklinge(n) an diesem Produkt.



Halten Sie Elektrowerkzeuge von Regen oder Nässe fern.



Achten Sie auf geschleuderte oder fliegende Objekte. Halten Sie unbeteiligte Personen (insbesondere Kinder und Tiere) mindestens 15m vom Arbeitsbereich fern.



Halten Sie die Hände von den Klingen fern!



Halten Sie die Hände von den Klingen fern!



Bitte lesen Sie die Anweisungen sorgfältig, bevor Sie das Gerät einschalten.



Der garantierte Schalleistungspegel beträgt 92 dB.



Elektrische Geräte sollten nicht mit dem übrigen Müll entsorgt werden. Bitte entsorgen Sie diese an den entsprechenden Entsorgungsstellen. Wenden Sie sich an die örtliche Behörde oder Ihren Händler, um Auskunft über die Entsorgung zu erhalten.



Dieses Gerät entspricht allen gesetzlichen Normen des Landes der europäischen Union, in dem es gekauft wurde.



EurAsian Konformitätszeichen.



Ukrainisches Prüfzeichen

Mit den folgenden Symbolen wird die Bedeutung der verschiedenen Risikostufen, die mit dem Produkt einhergehen, dargestellt:

⚠️ GEFAHR

Weist auf eine unmittelbare gefährliche Situation hin, die, falls nicht vermieden, zu Tod oder ernsthafter Verletzung führen kann.

⚠️ WARNUNG

Weist auf eine mögliche gefährliche Situation hin, die, falls nicht vermieden, zu Tod oder ernsthafter Verletzung führen kann.

⚠️ VORSICHT

Weist auf eine mögliche gefährliche Situation hin, die, falls nicht vermieden, zu einer leichten oder mittleren Verletzung führen kann.



EN
FR
DE
ES
IT
NL
PT
DA
SV
FI
NO
RU
PL
CS
HU
RO
LV
LT
ET
HR
SL
SK
BG
UK
TR

VORSICHT

Ohne Sicherheitswarnsymbol

Bezeichnet eine Situation die zu Sachbeschädigungen führen kann.

SYMBOLE IN DIESER BEDIENUNGSANLEITUNG



Teile oder Zubehör getrennt erhältlich



HINWEIS



WARNUNG





La seguridad, el rendimiento y la fiabilidad han sido las máximas prioridades a la hora de diseñar esta recortadora de línea inalámbrica.

USO PREVISTO

La recortadora de línea inalámbrica está concebida para que la usen únicamente adultos que hayan leído y comprendido las instrucciones y advertencias de este manual, y que puedan considerarse responsables de sus acciones.

El producto solo está pensado para utilizarse al aire libre en una zona bien ventilada. Por razones de seguridad, es necesario controlar el producto correctamente utilizando las dos manos.

Acoplado al cabezal de la recortadora de línea (y con la protección adecuada), el producto se ha diseñado para cortar césped alto, hierba con tallos carnosos y vegetación similar al nivel del suelo o cerca de él. El plano de corte debe ser aproximadamente en paralelo con la superficie del suelo a la hora de recortar.

Este producto no debería ser utilizado para cortar o recortar setos, arbustos u otro tipo de vegetación cuando el plano de corte no es paralelo a la superficie del suelo.

No la use para ninguna otra finalidad.

ALERTA DE SEGURIDAD GENERAL

⚠ ADVERTENCIA

Lea todas las advertencias de peligro e instrucciones. El incumplimiento de las advertencias e instrucciones puede provocar descargas eléctricas, incendios y/o lesiones graves.

⚠ ADVERTENCIA

Al utilizar el producto, deben seguirse las normas de seguridad. Por su propia seguridad y la de los que le rodean, lea estas instrucciones antes de utilizar el producto. Guarde las instrucciones para usarlas en el futuro.

⚠ ADVERTENCIA

Este producto no debe ser utilizado por niños o personas con discapacidad física, mental o sensorial. Los niños deben estar adecuadamente supervisados para asegurarse de que no juegan con el producto.

⚠ ADVERTENCIA

Algunas regiones tienen normas que limitan el uso del producto. Consulte con su autoridad local para obtener información.

APRENDIZAJE

- Lea las instrucciones cuidadosamente. Familiarícese con los mandos y con la correcta utilización del aparato.
- Nunca permita que niños o personas no familiarizadas

con las instrucciones utilicen este producto. Las regulaciones locales pueden restringir la edad del operario.

- Mantenga a los transeúntes, a los niños y a los animales a 15 m de distancia de la zona de operación. Apague el aparato si alguien entra en el área.
- No utilice el producto si está cansado, enfermo o bajo la influencia de drogas, alcohol o medicamentos.
- Tenga presente que el operario es usuario responsable de los accidentes o riesgos que le puedan ocurrir a otras personas o a su propiedad.

PREPARACIÓN

- Use gafas de protección total para los ojos y oídos al utilizar este producto. Si trabaja en un área donde existe un riesgo de caída de objetos, deberá utilizar casco.
- La protección auditiva puede restringir la capacidad del operador de oír los sonidos de alarma. Hay que tener mucha atención a los peligros potenciales dentro y alrededor del área de trabajo.
- Use guantes, botas y pantalones resistentes. No utilice ropa ancha, pantalones cortos, joyas ni lo utilice con los pies descalzos.
- Recoja el cabello largo para que quede por encima del nivel de los hombros y evitar así que se enmarañe en cualquier pieza móvil.
- Antes de su uso y después de algún golpe, compruebe que no hay piezas dañadas. Los interruptores defectuosos o cualquier otra pieza dañada o gastada deben ser sustituidos o reparados adecuadamente por un establecimiento de servicio autorizado.
- Asegúrese de que el accesorio de corte está correctamente instalado y ajustado.
- Nunca use el producto excepto si todas las protecciones, deflectores y mangos están unidos de forma correcta y segura.
- Considere el ambiente en donde está trabajando. Mantenga la zona de trabajo libre de cables, palos, piedras y suciedad que, si son golpeados por la cuchilla, puedan convertirse en objetos lanzados.

USO Y CUIDADO DE LA HERRAMIENTA

- Recargue la unidad solamente con el cargador especificado por el fabricante. Podría haber un riesgo de incendio cuando se utilice un cargador con una batería para la que no está diseñado.
- Utilice sólo herramientas eléctricas específicamente diseñadas para ellos. Utilizar cualquier otro tipo de baterías puede causar lesiones o un riesgo de incendio.
- Cuando la batería no está en uso, manténgala alejada de otros objetos metálicos como clips, monedas, llaves, clavos, tornillos u otros objetos metálicos pequeños que puedan crear una conexión desde una terminal a otra. Causar un cortocircuito en los terminales de la batería puede causar quemaduras o un incendio.
- En condiciones abusivas, podría salir expulsado líquido de la batería, por lo que debería evitar el contacto con éste. Si se produce un contacto accidental, enjuáguese las manos con agua. Si el líquido entra en contacto con



los ojos, acuda inmediatamente al médico. Si el líquido es expulsado de la batería y entra en contacto con él, podría causar irritación o quemaduras.

ADVERTENCIAS DE SEGURIDAD DE LA RECORTADORA DE LÍNEA INALÁMBRICA

- Nunca deje que utilicen este aparato niños, personas con capacidad física, sensorial o mental reducida, personas sin experiencia ni conocimientos ni personas que no estén familiarizadas con estas instrucciones.
- Use el producto de día o bajo luz artificial bien iluminada.
- Evite utilizar la máquina sobre césped mojado.
- Mantenga los pies bien apoyados y en equilibrio en todo momento, y asegúrese de mantenerse bien apoyado en lugares situados en pendiente.
- No camine hacia atrás mientras use este producto. Camine, nunca corra.
- Mantenga el accesorio del cabezal por debajo de la cintura.
- No utilice nunca el producto con las protecciones dañadas o sin las protecciones colocadas.
- Nunca adapte una línea de reemplazo de metal.
- Mantenga las manos y los pies lejos de los medios cortantes en todo momento y especialmente cuando encienda el motor.
- Tenga cuidado puesto que el aparato de corte sigue girando después de apagar el motor.
- Tenga cuidado con los objetos lanzados por el medio de corte. Limpie la suciedad como pequeñas piedras, gravilla y otros objetos extraños de la zona de trabajo antes de empezar a operar. Los alambres o las cuerdas pueden enredarse en las líneas de corte.
- Para reducir el riesgo de lesión asociado con el contacto con las piezas móviles, apague siempre el producto, extraiga la batería y deje que ambos se enfríen. Asegúrese de que todas las partes móviles se han detenido por completo:
 - antes del mantenimiento
 - antes de limpiar una obstrucción
 - antes de inspeccionar, limpiar o trabajar con el producto
 - antes de cambiar los accesorios
 - después de golpear un objeto extraño
 - cuando deje el aparato desatendido
 - siempre que se lleve a cabo el mantenimiento
 - si el producto empieza a vibrar de forma anormal
- Use gafas de protección total para los ojos y oídos al utilizar este producto. Si trabaja en un área donde existe un riesgo de caída de objetos, deberá utilizar casco.
- La protección auditiva puede restringir la capacidad del operador de oír los sonidos de alarma. Hay que tener mucha atención a los peligros potenciales dentro y alrededor del área de trabajo.
- Use guantes, botas y pantalones resistentes. No utilice ropa ancha, pantalones cortos, joyas ni lo utilice con los pies descalzos.

- Recoja el cabello largo para que quede por encima del nivel de los hombros y evitar así que se enmarañe en cualquier pieza móvil.
- La pequeña cuchilla colocada en la protección de seguridad está diseñada para recortar la nueva línea ampliada en la longitud correcta para un rendimiento seguro y óptimo. La cuchilla está muy afilada. No toque la cuchilla, especialmente, cuando limpie el producto.
- Asegúrese siempre de que las aberturas de ventilación estén libres de residuos.
- Antes de su uso y después de algún golpe, compruebe que no hay piezas dañadas. Los interruptores defectuosos o cualquier otra pieza dañada o gastada deben ser sustituidos o reparados adecuadamente por un establecimiento de servicio autorizado.
- Asegúrese de que el accesorio de corte está correctamente instalado y ajustado.
- Asegúrese de que todas las protecciones, deflectores y mangos están unidos de forma correcta y segura.
- No modifique el producto en modo alguno. Esto puede aumentar el riesgo de lesionarse usted o a otros.
- Utilice sólo el hilo de corte de recambio del fabricante. No utilice ningún tipo de pieza cortante.
- Apague inmediatamente la unidad y retire la batería en caso de accidente o avería. No vuelva a utilizar el producto hasta que un servicio de mantenimiento autorizado lo haya inspeccionado completamente.

⚠ ADVERTENCIA

Asegúrese de que la línea de la cuchilla de corte en la protección esté correctamente colocada y asegurada antes de cada uso.

ADVERTENCIAS DE SEGURIDAD DE LA BATERÍA ADICIONAL

⚠ ADVERTENCIA

Para reducir el riesgo de incendio, lesión personales y daños al producto debido a un cortocircuito, no sumerja nunca la herramienta, el paquete de baterías o el cargador en líquido ni permita que fluya un fluido dentro de ellos. Los fluidos corrosivos o conductivos, como el agua de mar, ciertos productos químicos industriales y blanqueadores o lejías que contienen, etc., Pueden causar un cortocircuito.

TRANSPORTE Y ALMACENAMIENTO

- Apague el producto, extraiga la batería y deje que el producto se enfríe antes de almacenarlo o transportarlo.
- Limpie todo el material extraño que pueda permanecer en el producto.
- No almacene ni transporte el producto con las baterías instaladas. Extraiga la batería y fíjela de forma independiente. Guarde en una zona seca y bien ventilada, a la que no puedan acceder los niños.

Almacene el producto lejos de agentes corrosivos como sales de deshielo y productos químicos de jardín. No guarde el producto a la intemperie.

- Para transportar el producto, sujételo de modo que no se mueva ni se caiga para evitar lesiones personales o daños al producto.

TRANSPORTE DE BATERÍAS DE LITIO

Transporte de baterías de acuerdo con las disposiciones y reglamentos nacionales y locales. Cumpla todos los requisitos especiales relativos al embalaje y etiquetado cuando el transporte de baterías se lleve a cabo por un tercero.

Asegúrese de que, durante el transporte, las baterías no entran en contacto con otras baterías o materiales conductores protegiendo los conectores expuestos con tapones o tapas aislantes de material no conductor. No transporte baterías que tengan grietas o fugas. Consulte a la empresa de transporte para obtener más asesoramiento.

MANTENIMIENTO

⚠ ADVERTENCIA

Utilice sólo piezas y accesorios de recambio originales del fabricante. Si no lo hace podría ocurrir un mal funcionamiento, podrían producirse daños o podría quedar anulada la garantía.

⚠ ADVERTENCIA

Las reparaciones requieren tener mucho cuidado y conocimiento y sólo debe realizarse por un técnico de servicio calificado. Solicite la reparación del producto únicamente en un centro de servicio autorizado. Utilice solo recambios originales del fabricante para las operaciones de mantenimiento.

- Apague y quite la batería antes de realizar ninguna labor de mantenimiento ni de limpieza.
- Usted solo puede realizar los ajustes o reparaciones descritos en este manual. Para otras reparaciones o consejos, busque la ayuda de un centro de servicio autorizado.
- Para sustituir el hilo utilice solo hilo con filamento de nylon del diámetro descrito en la tabla de características de este manual.
- Después de extender un nuevo hilo de corte, asegúrese siempre de que el producto está en su posición de funcionamiento normal antes de encenderla.
- Limpiar el producto con un paño suave seco después de cada uso. Cualquier pieza dañada debe ser sustituida o reparada adecuadamente por un centro de servicio autorizado.
- Compruebe todas las tuercas, pernos y tornillos antes de cada uso y a intervalos frecuentes para verificar si están bien apretados y asegurarse de que el producto se pueda utilizar de forma segura. Cualquier pieza dañada debe ser sustituida o reparada adecuadamente por un centro de servicio autorizado.
- Lleve el aparato a un centro de servicios autorizado para sustituir las etiquetas dañadas o ilegibles.

RIESGOS RESIDUALES

Incluso cuando se utiliza el producto según las instrucciones, sigue siendo imposible eliminar por completo ciertos factores de riesgo residuales. Pueden surgir los siguientes riesgos durante el uso y el operador debe prestar especial atención para evitar lo siguiente:

- Lesiones por vibración
 - Sujete el producto por los mangos destinados al efecto y limite el tiempo de funcionamiento y de exposición.
- Lesiones a causa del ruido
 - Use protección para los oídos y limite el tiempo de exposición
- Lesiones provocadas por restos despedidos.
 - Use siempre protección para los ojos.

REDUCCIÓN DEL RIESGO

Se ha informado de que las vibraciones de las herramientas de mano puede contribuir a una condición llamada síndrome de Raynaud en ciertos individuos. Los síntomas pueden incluir hormigueo, entorpecimiento y decoloración de los dedos, generalmente aparentes cuando tiene lugar una exposición al frío. Se considera que los factores hereditarios, exposición al frío y a la humedad, dieta, tabaquismo y prácticas de trabajo contribuyen al desarrollo de estos síntomas. Existen medidas que pueden ser tomadas por el operador para reducir los efectos de vibración:

- Mantenga su cuerpo caliente durante el tiempo frío. Al manipular el producto, utilice guantes para mantener las manos y las muñecas calientes. Hay informes que indican que el tiempo frío es un gran factor que contribuye al síndrome de Raynaud.
- Después de cada período de funcionamiento, realice ejercicios para aumentar la circulación sanguínea.
- Haga pausas de trabajo frecuentes. Limite la cantidad de exposición por día.

Si siente alguno de los síntomas de esta enfermedad, interrumpa inmediatamente el uso y consulte a su médico estos síntomas.

⚠ ADVERTENCIA

El uso prolongado de una herramienta puede causar o agravar lesiones. Al utilizar cualquier herramienta durante períodos prolongados asegúrese de tomar descansos regulares.

CONOZCA SU PRODUCTO

Véase la página 109.

Piezas

1. Conexión a la batería
2. Mango trasero
3. Botón de bloqueo
4. Gatillo de velocidad variable
5. Cargador
6. Cable del cargador

7. Batería
8. Botón de sujeción de la batería
9. Cubierta del carrete
10. Bobina
11. Hilo de corte
12. Hoja de corte en línea
13. Deflector de hierba
14. Eje inferior
15. Mango delantero

SÍMBOLOS EN EL PRODUCTO



Lea y entienda todas las instrucciones antes de utilizar el producto. Siga todas las advertencias e instrucciones de seguridad.



Utilice protección ocular



Use protección auditiva



Utilice calzado de seguridad antideslizante cuando utilice este producto.



No utilice cuchillas metálicas en el producto.



No la esponja a la lluvia o a lugares húmedos.



Tenga cuidado con los objetos volátiles o lanzados. Mantenga a todos los espectadores, especialmente a los niños y las mascotas, por lo menos a 15 metros de la zona de trabajo.



Mantenga las manos alejadas de las hojas.



Mantenga las manos alejadas de las hojas.



Por favor lea las instrucciones detenidamente antes de arrancar la máquina.



El nivel de potencia sonora garantizado es de 92 dB.



Los productos eléctricos de desperdicio no deben desecharse con desperdicios caseros. Por favor reciclelos donde existan dichas instalaciones. Compruebe con su autoridad local o minorista para reciclar.



Esta herramienta responde a todas las normas reglamentarias del país de la UE donde se ha comprado.



Certificado EAC de conformidad



Marca de conformidad ucraniana

Los siguientes símbolos y sus significados pretenden explicar los niveles de riesgo asociados a este producto.

⚠ PELIGRO

Indica una situación potencialmente peligrosa que, de no evitarse, puede ocasionar la muerte o heridas de gravedad.

⚠ ADVERTENCIA

Indica una situación peligrosa que, de no evitarse, puede ocasionar la muerte o heridas de gravedad.

⚠ ADVERTENCIA

Indica una situación potencialmente peligrosa que, de no evitarse, puede ocasionar heridas leves.

ADVERTENCIA

Sin símbolo de alerta de seguridad

Indica una situación que puede causar daños en las cosas.

SÍMBOLOS EN ESTE MANUAL



Las piezas o accesorios se venden por separado



Nota



Advertencia



La progettazione di questo tagliaerba a filo a batteria è stata effettuata dando massima priorità a criteri di sicurezza, prestazioni e affidabilità.

UTILIZZO RACCOMANDATO

Il tagliaerba a filo a batteria deve essere utilizzato solo da persone adulte, che abbiano letto e compreso le istruzioni e le avvertenze contenute in questo manuale, e che siano responsabili delle proprie azioni.

Prodotto adatto solo per essere utilizzato all'esterno in aree ben ventilate. Per ragioni di sicurezza, l'utensile deve essere adeguatamente controllato utilizzando sempre due mani.

Il prodotto, provvisto della testina a filo (e di un'appropriata protezione), è destinato al taglio di erba alta, erbacce spesse e altra vegetazione simile al livello del terreno o a circa tale altezza. Il piano di taglio deve essere approssimativamente parallelo alla superficie del terreno durante l'utilizzo.

Il prodotto non deve essere utilizzato per tagliare o sfrondare siepi, cespugli o altra vegetazione in cui il piano di taglio non è parallelo alla superficie del terreno.

Non utilizzare per altri scopi.

AVVERTENZE GENERALI DI SICUREZZA

⚠ AVVERTENZA

Leggere tutte le avvertenze di sicurezza e le istruzioni.

La mancata osservanza di tutte le istruzioni potrà causare scosse elettriche, incendi e/o gravi lesioni personali.

⚠ AVVERTENZA

Quando si utilizza questo prodotto, seguire eventuali norme di sicurezza. Per la propria sicurezza e per la sicurezza degli osservatori, leggere queste istruzioni prima di mettere in funzione il prodotto. Conservare le istruzioni per eventuali utilizzi futuri.

⚠ AVVERTENZA

Prodotto non inteso per essere utilizzato da bambini o persone con ridotte capacità fisiche, mentali o sensoriali. Supervisionare adeguatamente i bambini per assicurarsi che non giochino con il prodotto.

⚠ AVVERTENZA

Alcune regioni hanno norme che limitano l'utilizzo del prodotto. Rivolgersi alle autorità locali per eventuali consigli.

UTILIZZO

- Leggere attentamente le istruzioni. Familiarizzare con tutti i controlli e con l'utilizzo corretto del prodotto.
- Non lasciare che bambini o persone che non conoscono le istruzioni lo utilizzino. Leggi locali possono limitare l'età dell'operatore.

- Tenere osservatori, bambini e animali ad almeno 15 metri di distanza dall'area delle operazioni. Arrestare il prodotto nel caso in cui eventuali osservatori entrino nell'area di lavoro.
- Non usare il prodotto in caso di stanchezza, malessere o sotto gli effetti di droghe, alcool o farmaci.
- Ricordare che l'operatore sarà responsabile di eventuali lesioni o danni a persone o cose.

PREPARAZIONE

- Indossare occhiali e cuffie di protezione mentre si utilizza questo prodotto. Nel caso in cui si sia lavorando in un'area dove vi sia rischio di caduta di oggetti, indossare sempre una protezione per la testa.
- Le cuffie di protezione potranno limitare la capacità dell'operatore di sentire avvertimenti e segnalazioni sonore. Fare particolare attenzione a potenziali rischi attorno e all'interno dell'area di lavoro.
- Indossare pantaloni lunghi e resistenti, stivali e guanti da lavoro. Non indossare abbigliamento con parti svolazzanti, pantaloni corti, gioielli di ogni genere né utilizzare il dispositivo a piedi scalzi.
- Assicurare i capelli lunghi al di sopra delle spalle per evitare che rimangano impigliati nelle parti in movimento.
- Prima dell'utilizzo e dopo ogni impatto, controllare che non vi siano parti danneggiate. Un interruttore difettoso o qualsiasi parte danneggiata o consumata dovrebbe essere accuratamente riparata o sostituita da un servizio autorizzato.
- Assicurarsi che l'accessorio di taglio sia accuratamente installato e serrato.
- Non mettere mai in funzione il prodotto a meno che tutti gli schermi, i deflettori e i manici siano correttamente e saldamente montati.
- Non utilizzare l'elettrotensile in ambienti umidi o in presenza di acqua. Tenere l'area di lavoro pulita, rimuovendo sempre cavi, bastoni, pietre e detriti che, se incastrati nell'utensile, potranno venire scagliati dalla stessa.

UTILIZZO E MANUTENZIONE DI UN UTENSILE A BATTERIE

- Ricaricare solo con il caricatore indicato dalla ditta produttrice. Un caricatore adatto per un tipo di batterie potrà creare un rischio di incendio se utilizzato con un altro gruppo batterie.
- Utilizzare elettrotensili solo con i gruppi batteria indicati. L'utilizzo di gruppi batteria diversi da quelli indicati potrà causare rischi di lesioni e incendi.
- Quando il gruppo batterie non viene utilizzato, tenerlo lontano da oggetti in metallo come fermagli, monete, chiavi, chiodi, viti o altri piccoli oggetti che potranno fare da tramite da un terminale all'altro. Cortocircuitare i terminali della batteria assieme potrà causare scottature o incendi.
- Se sottoposto a stress, la batteria potrà perdere dei liquidi; evitare il contatto. Se si entra accidentalmente in contatto con tali liquidi, lavarsi immediatamente con acqua. Se il liquido entra negli occhi, rivolgersi a un medico. Il liquido espulso dalla batteria potrà causare irritazioni o scottature.



AVVERTENZE DI SICUREZZA PER IL TAGLIAERBA A FILO A BATTERIA

- Non lasciare mai che bambini, persone con ridotte capacità fisiche, sensoriali o mentali o mancanza di esperienza e conoscenza o persone non familiari con queste istruzioni utilizzino il prodotto.
- Utilizzare il prodotto con la luce del giorno o con una buona illuminazione artificiale.
- Evitare di mettere in funzione l'utensile nell'erba umida.
- Mantenere sempre pieni ben appoggiati e un buon equilibrio e assicurarsi di avere sempre un buon appoggio dei piedi sui terreni scoscesi.
- Non camminare all'indietro quando si utilizza l'utensile. Camminare, non correre mai.
- Tenere l'accessorio testa di taglio più in basso del giro vita.
- Non usare il prodotto con le protezioni danneggiate o senza le protezioni installate.
- Non sostituire mai un cavo di metallo.
- Tenere mani e piedi lontani dalle parti di taglio e soprattutto durante l'accensione del motore.
- Attenzione: il filo continua a ruotare anche una volta spento il motore.
- Fare attenzione agli oggetti che potranno essere scagliati dalle parti di taglio dell'utensile. Rimuovere i detriti come piccole pietre, sassolini e simili dall'area di lavoro prima di avviare le operazioni. I cavi o fili potranno rimanere impigliati nelle parti di taglio.
- Per ridurre il rischio di lesioni associate al contatto con le parti mobili, spegnere sempre il prodotto, rimuovere il pacco batteria e lasciare che si raffreddi. Assicurarsi che tutte le parti in movimento si siano arrestate:
 - prima degli interventi di assistenza
 - prima di rimuovere un blocco
 - prima di svolgere le operazioni di controllo o pulizia sul prodotto o prima di utilizzarlo
 - prima di cambiare accessori
 - dopo aver colpito un corpo estraneo
 - quando si lascia il prodotto incustodito
 - ogniqualevolta si esegue la manutenzione
 - se il prodotto inizia a vibrare in maniera anormale
- Indossare occhiali e cuffie di protezione mentre si utilizza questo prodotto. Nel caso in cui si sia lavorando in un'area dove vi sia rischio di caduta di oggetti, indossare sempre una protezione per la testa.
- Le cuffie di protezione potranno limitare la capacità dell'operatore di sentire avvertimenti e segnalazioni sonore. Fare particolare attenzione a potenziali rischi attorno e all'interno dell'area di lavoro.
- Indossare pantaloni lunghi e resistenti, stivali e guanti da lavoro. Non indossare abbigliamento con parti svolazzanti, pantaloni corti, gioielli di ogni genere né utilizzare il dispositivo a piedi scalzi.
- Assicurare i capelli lunghi al di sopra delle spalle per evitare che rimangano impigliati nelle parti in movimento.
- La lama fissata alla protezione di sicurezza serve a

regolare la nuova linea ampliata, alla lunghezza esatta per lavorare in modo sicuro e ottimale. La cuchilla está muy afilada. No toque la cuchilla, especialmente, cuando limpie el producto.

- Assicurarsi che le griglie di ventilazione siano pulite e rimuovere eventuali materiali di scarto rimasti intrappolati.
- Prima dell'utilizzo e dopo ogni impatto, controllare che non vi siano parti danneggiate. Un interruttore difettoso o qualsiasi parte danneggiata o consumata dovrebbe essere accuratamente riparata o sostituita da un servizio autorizzato.
- Assicurarsi che l'accessorio di taglio sia accuratamente installato e serrato.
- Assicurarsi che paralame, deflettori e manici siano montati accuratamente e correttamente.
- Non modificare in alcun modo il prodotto. Ciò potrebbe aumentare il rischio di lesioni su se stessi e sugli altri.
- Utilizzare solo il filo di taglio di sostituzione della ditta produttrice. Non utilizzare alcun altro accessorio di taglio.
- Spegnerne immediatamente e rimuovere il pacco batteria in caso di incidente o guasto. Non utilizzare di nuovo il prodotto finché non è stato controllato a fondo da un centro di assistenza autorizzato.

⚠ AVVERTENZA

Assicurarsi che il filo nell'accessorio di protezione sia correttamente posizionato e fissato prima di ciascun utilizzo.

AVVERTENZE AGGIUNTIVE PER LA SICUREZZA DELLA BATTERIA

⚠ AVVERTENZA

Per ridurre il rischio d'incendio, di lesioni o di danni al prodotto causati da corto circuito, non immergere mai l'utensile, la batteria ricaricabile o la carica batterie in un liquido e non lasciare mai penetrare alcun liquido all'interno dei dispositivi e delle batterie. I fluidi corrosivi o conduttori come acqua salata, alcuni agenti chimici, agenti candeggianti o prodotti contenenti agenti candeggianti potrebbero provocare un corto circuito.

TRASPORTO E RIPONIMENTO

- Spegnerne il prodotto, rimuovere il pacco batteria e lasciare che si raffreddi prima di conservarlo o trasportarlo.
- Rimuovere eventuali materiali di scarto dal prodotto.
- Non conservare né trasportare il prodotto con le batterie inserite. Rimuovere il pacco batteria e stringerlo separatamente. Riporre in un luogo asciutto e ben ventilato non accessibile ai bambini. Tenere il prodotto lontano da agenti corrosivi come agenti chimici da giardino e sali scongelanti. Non conservare il prodotto all'aperto.

- Per il trasporto, assicurare il prodotto contro ogni movimento o contro eventuali cadute per evitare lesioni a persone o danni al prodotto.

TRASPORTO BATTERIE AL LITIO

Trasportare le batterie rispettando quanto indicato dalle norme e regolamentazioni locali. Far rispettare quanto indicato sulle etichette e sull'involucro quando la batteria viene trasportata da terzi.

Assicurarsi che le batterie non entrino in contatto con altre batterie o con materiali conduttivi mentre si trasportano proteggendo connettori esposti con tappi o nastro isolante e non conduttivo. Non trasportare batterie rotte o che perdono liquidi. Consultare la ditta produttrice per eventuali ulteriori consigli.

MANUTENZIONE

⚠ AVVERTENZA

Utilizzare solo parti di ricambio, accessori e dispositivi originali della ditta produttrice. In caso contrario si potranno causare lesioni, prestazioni basse e la garanzia verrà invalidata.

⚠ AVVERTENZA

Le operazioni di manutenzione devono essere svolte con grande attenzione e accortezza solo da un tecnico qualificato. Far riparare il prodotto esclusivamente da un centro assistenza autorizzato. Quando si svolgono le operazioni di manutenzione, utilizzare solo parti di ricambio originali della ditta produttrice.

- Spegnerne l'utensile e rimuovere la batteria prima di effettuare qualsiasi intervento di manutenzione o pulizia.
- Sarà solo possibile svolgere le regolazioni o riparazioni indicate nel presente manuale. Per altre riparazioni o consigli, rivolgersi a un centro servizi autorizzato.
- Per sostituire il filo di taglio, utilizzare solo il filo in nylon del diametro descritto nella tabella delle specifiche del presente manuale.
- Dopo aver esteso il nuovo filo di taglio, riportare sempre il prodotto alla normale posizione di funzionamento prima dell'avvio.
- Dopo ogni uso, pulire il prodotto con una panno morbido e asciutto. Riparare eventuali parti danneggiate o farle sostituire da un centro servizi autorizzato.
- Controllare che tutti i dadi, i bulloni e le viti siano adeguatamente serrati prima di ogni utilizzo e a intervalli frequenti, per accertarsi che il prodotto possa funzionare in sicurezza. Riparare eventuali parti danneggiate o farle sostituire da un centro servizi autorizzato.
- Portare il prodotto presso un centro servizi autorizzato per sostituire le parti danneggiate o le etichette illeggibili.

RISCHI RESIDUI

Anche quando il prodotto viene utilizzato come indicato, è impossibile eliminare completamente alcuni fattori di rischio residuo. Si potranno correre i seguenti rischi durante l'utilizzo e l'operatore dovrà fare particolare attenzione per evitare quanto segue:

- Lesioni causate da vibrazioni
 - Reggere il prodotto dai manici e limitare i tempi di utilizzo e l'esposizione.
- Lesioni causate dal rumore.
 - Indossare cuffie di protezione e limitare l'esposizione.
- Lesioni causate da detriti scagliati.
 - Indossare sempre protezioni per gli occhi.

RIDUZIONE DEL RISCHIO

Si è accertato che le vibrazioni causate da utensili a mano possono contribuire a causare una condizione chiamata Sindrome di Raynaud in alcune persone. I sintomi, comprendenti formicolio, intorpidimento e perdita di colore alle dita, si verificano di solito quando ci si espone al freddo. Fattori ereditari, esposizione a freddo e umidità, una dieta scorretta, fumo e condizioni di lavoro non sicure potranno contribuire allo sviluppo di questi sintomi. È possibile prendere delle precauzioni per ridurre le vibrazioni:

- Tenere il corpo al caldo a basse temperature. Quando si utilizza il prodotto indossare guanti per tenere le mani e i polsi caldi. Le basse temperature contribuiscono a causare la Sindrome di Raynaud.
- Dopo aver utilizzato l'utensile per un certo periodo, fare degli esercizi per stimolare la circolazione del sangue.
- Fare spesso delle pause. Limitare la quantità di esposizione giornaliera.

Nel caso in cui si provino i sintomi di questa condizione, interrompere immediatamente l'utilizzo dell'utensile e consultare un dottore.

⚠ AVVERTENZA

Il prolungato utilizzo dell'utensile potrà causare o aggravare lesioni. Quando si utilizza questo utensile per periodi di tempo prolungati, assicurarsi di fare sempre delle pause regolari.

FAMILIARIZZARE CON IL PRODOTTO

Vedere pagina 109.

Parti

1. Connessione alla batteria
2. Manico posteriore
3. Interruttore di blocco
4. Grilletto velocità variabile
5. Caricatore
6. Cavo caricabatteria
7. Batteria
8. Tasto linguetta batteria
9. Coperchio bobina
10. Bobina

- 11. Filo di taglio
- 12. Lama di taglio filo deflettore erba
- 13. Deflettore erba
- 14. Alberto inferiore
- 15. Manico anteriore

SIMBOLI SUL PRODOTTO



Prima di utilizzare il prodotto leggere e comprendere tutte le istruzioni. Osservare tutte le avvertenze e le istruzioni di sicurezza.



Indossare dispositivi di protezione occhi



Indossare cuffie di protezione



Indossare calzature anti-scivolo con questo prodotto.



Non utilizzare lama(e) metallica(he) con questo prodotto.



Non esporre a pioggia o umidità.



Fare attenzione ad oggetti scagliati o lanciati dall'utensile. Tenere lontani tutti gli osservatori, soprattutto bambini e animali, ad almeno 15 m dalla zona di funzionamento.



Tenere le mani lontane dalle lame.



Tenere le mani lontane dalle lame.



Leggere attentamente le istruzioni prima di avviare l'utensile.



Il livello garantito di potenza sonora è di 92 dB.



I prodotti elettrici non devono essere smaltiti con i rifiuti domestici. Vi sono strutture per smaltire tali prodotti. Informarsi presso il proprio Comune o rivenditore di sicurezza per smaltire adeguatamente tali rifiuti.



Questo apparecchio è conforme a tutte le norme vigenti nel paese dell'UE in cui è stato acquistato.



Marchio di conformità EurAsian



Marchio di conformità ucraino

Le parole e i messaggi di avvertimento spiegano i livelli di rischio associato con il prodotto.

⚠ PERICOLO

Indica una situazione pericolosa che, se non evitata attentamente, potrà causare gravi lesioni alla persona o morte.

⚠ AVVERTENZA

Indica una situazione potenzialmente pericolosa che, se non evitata attentamente, potrà causare gravi lesioni alla persona o morte.

⚠ ATTENZIONE

Indica una situazione potenzialmente pericolosa che, se non evitata attentamente, potrà causare lesioni minori o moderate alla persona.

ATTENZIONE

Senza simbolo di allerta di sicurezza

Indica una situazione che potrà risultare in gravi danni a cose.

SIMBOLI NEL PRESENTE MANUALE



Parti o accessori venduti separatamente



Note



Avvertenze

Bij het ontwerp van het draadloze lijntrimmer hebben veiligheid, prestaties en betrouwbaarheid de hoogste prioriteit gekregen.

VOORGESCHREVEN GEBRUIK

De draadloze draadtrimmer is alleen bedoeld voor gebruik door volwassenen die de instructies en waarschuwingen in deze handleiding hebben gelezen en begrepen, en die als verantwoordelijk voor hun daden kunnen worden beschouwd.

Het product is uitsluitend bedoeld voor gebruik buitenshuis in een goed geventileerd gebied. Om veiligheidsredenen moet dit product met twee handen op de juiste wijze worden bediend en vastgehouden.

Wanneer uitgerust met de draadtrimmerkop (en de betreffende bescherming) is bedoeld voor het snijden van lang gras, stevig onkruid en gelijksoortige vegetatie op of boven grondniveau. Het snijvlak dient tijdens het maaien ongeveer parallel aan de grond te zijn.

Het product mag niet worden gebruikt om heggen, struiken of andere begroeiing te snoeien of trimmen waar het maaiblad niet parallel is met de grond.

Gebruik niet voor andere doeleinden.

ALGEMENE VEILIGHEIDSWAARSCHUWINGEN

⚠ WAARSCHUWING

Lees alle veiligheidswaarschuwingen en instructies. Wanneer niet de waarschuwingen en instructies niet opvolgt, kan dit leiden tot elektrische schok en/of ernstig letsel.

⚠ WAARSCHUWING

Wanneer u het product gebruikt, moeten de veiligheidsregels worden opgevolgd. Voor uw eigen veiligheid en deze van omstanders, dient u deze instructies te lezen voor u het product gebruikt. Bewaar de instructies op een veilige plaats voor later gebruik.

⚠ WAARSCHUWING

Het product is niet geschikt voor gebruik door kinderen of personen met verminderde fysieke, mentale of zintuigelijke vermogens. Kinderen moeten onder toezicht staan om ervoor te zorgen dat ze niet met het product spelen.

⚠ WAARSCHUWING

Enkele regio's hebben regels die het gebruik van het product beperken. Raadpleeg uw lokale autoriteit voor advies.

OPLEIDING

- Lees zorgvuldig de instructies. Wees vertrouwd met alle bedieningen en het correct gebruik van het product.
- Laat kinderen of personen die niet vertrouwd zijn met

deze instructies, het product gebruiken De plaatselijke wetgeving kan beperkingen opleggen i.v.m. de leeftijd van de bediener.

- Houd omstanders, kinderen en huisdieren op tenminste 15 m afstand van het werkgebied. Leg het product stil als iemand het werkgebied betreedt.
- Gebruik het product niet als u moe, ziek of onder de invloed van drugs, alcohol of medicijnen bent.
- Hou er rekening mee dat de bediener of gebruiker verantwoordelijk is voor ongevallen of gevaren t.o.v. anderen of hun eigendom.

VOORBEREIDING

- Draag volledige gezichts- en gehoorbescherming terwijl u het product bedient. Als u op een plaats werkt waar het risico bestaat op vallende voorwerpen moet een veiligheidshelm worden gedragen.
- Gehoorsbescherming kan de mogelijkheid dat de operator geluiden hoort, verkleinen. Wees bijzonder voorzichtig voor mogelijke gevaren rond en op de werkplek.
- Draag een zware lange broek, laarzen en handschoenen. Draag geen losse kleding, korte broek, juwelen van enig soort en gebruik het apparaat niet met blote voeten.
- Maak lang haar vast boven schouderhoogte om te voorkomen dat het verstrikt raakt in de bewegende delen.
- Voor gebruik en na elke impact controleert u op beschadigde onderdelen. Een defecte schakelaar of een ander onderdeel dat beschadigd of versleten is, moet deskundig worden hersteld of vervangen door een geautoriseerde onderhoudsdienst.
- Zorg ervoor dat het snijvoorzetstuk goed is geïnstalleerd en stevig is vastgemaakt.
- Gebruik het product nooit tenzij alle beschermers, deflectoren en handvatten correct en stevig zijn bevestigd.
- Hou rekening met de omgeving waarin u werkt. Houd het werkgebied vrij van kabels, stokken, stenen en afval dat door de maaier kan worden weggegooid, indien geraakt.

GEBRUIK EN ONDERHOUD VAN HET ACCUAAANGEDREVEN WERKTUIG

- Herlaad enkel met de oplader die door de fabrikant is gespecificeerd. Een oplader die voor een type accupack is geschikt kan een brandgevaar betekenen wanneer het met een ander accupack wordt gebruikt.
- Gebruik elektrisch gereedschap uitsluitend met de specifiek toegewezen accupacks. Het gebruik van andere accupacks kan leiden tot risico's op letsels en brand.
- Wanneer het accupack niet wordt gebruikt, moet u het weg houden van andere metalen objecten, zoals papierclips, munten, sleutels, spijkers, schroeven of andere kleine metalen voorwerpen die een verbinding kan maken van een terminal naar een andere. De batterijterminals kortsluiten kan leiden tot brandwonden of brand.



- In oneigenlijke omstandigheden, kan een vloeistof uit de accu lekken; vermijd contact hiermee. Als per ongeluk contact voorkomt, spoelt u met water. Als de vloeistof in contact komt met de ogen, dient u bijkomend medische hulp te raadplegen. Vloeistof die uit de accu lekt, kan irritatie of brandwonden veroorzaken.

VEILIGHEIDSWAARSCHUWINGEN VOOR SNOERLOZE LIJNTRIMMER

- Laat kinderen, personen met verminderde fysieke, zintuigelijke of mentale vermogens of een gebrek aan ervaring of kennis of mensen die niet vertrouwd zijn met deze gebruiksaanwijzingen, het product niet gebruiken.
- Gebruik het product bij daglicht of bij goed kunstmatig licht.
- Vermijd dat u de machine in nat gras gebruikt.
- Zorg te allen tijde voor een vaste voet en goede balans, met name op hellingen.
- Stap niet achteruit terwijl u het product gebruikt. Stap altijd, loop nooit.
- Houd het kop-hulpstuk onder middelhoogte.
- Gebruik het product nooit zonder een beschermkap of zonder dat de beschermkap geplaatst is.
- Monteer nooit een metalen vervangingslijn.
- Hou handen en voeten steeds helemaal weg bij het inschakelen van de motor en tijdens het snijden.
- Let op, het snijmechanisme blijft draaien nadat de motor is uitgeschakeld.
- Wees voorzichtig voor voorwerpen die door de snijelementen worden weggegooid. Verwijder afval, zoals kleine stenen, grind en andere vreemde voorwerpen uit het werkgebied voor u begint te werken. Draden of touw kunnen/kan in het snijmechanisme vast komen te zitten.
- Schakel het product uit om het risico op verwonding door contact met bewegende onderdelen te verlagen, verwijder de accu en laat beide delen voldoende afkoelen. Zorg ervoor dat alle bewegende delen volledig tot stilstand zijn gekomen:
 - vóór onderhoud
 - voordat u een obstructie verwijderd
 - voor u het product controleert, reinigt of aan het product werkt.
 - voordat u accessoires verwisselt
 - nadat u een onbekend voorwerp raakt
 - wanneer u het product onbeheerd achterlaat
 - tijdens het uitvoeren van onderhoud
 - als het product abnormaal begint te trillen
- Draag volledige gezichts- en gehoorbescherming terwijl u het product bedient. Als u op een plaats werkt waar het risico bestaat op vallende voorwerpen moet een veiligheidshelm worden gedragen.
- Gehoorsbescherming kan de mogelijkheid dat de operator geluiden hoort, verkleinen. Wees bijzonder voorzichtig voor mogelijke gevaren rond en op de werkplek.
- Draag een zware lange broek, laarzen en handschoenen. Draag geen losse kleding, korte broek,

juwelen van enig soort en gebruik het apparaat niet met blote voeten.

- Maak lang haar vast boven schouderhoogte om te voorkomen dat het verstrikt raakt in de bewegende delen.
- Het kleine mes dat aan de beschermkap is bevestigd is ontworpen om het nieuw uitgetrokken draad op de juiste lengte te snijden voor veiligheid en optimale prestaties. Het snijblad is erg scherp. Raak het snijblad niet aan, vooral niet tijdens het reinigen van het product.
- Zorg er altijd voor dat de ventilatie-openingen vrij blijven van afval.
- Voor gebruik en na elke impact controleert u op beschadigde onderdelen. Een defecte schakelaar of een ander onderdeel dat beschadigd of versleten is, moet deskundig worden hersteld of vervangen door een geautoriseerde onderhoudsdienst.
- Zorg ervoor dat het snijvoorzetstuk goed is geïnstalleerd en stevig is vastgemaakt.
- Zorg ervoor dat alle beschermers en handvatten goed en veilig zijn vastgemaakt.
- Wijzig het product op geen enkele manier. Dit kan het risico van letsel voor uzelf of anderen verhogen.
- Gebruik alleen de vervangmaailijn van de fabrikant. Gebruik geen enkel ander maaivoorzetstuk.
- Schakel het apparaat onmiddellijk uit en verwijder de accu in geval van een ongeluk of defect. Gebruik het product niet opnieuw totdat het volledig is gecontroleerd door een erkend onderhoudscentrum.

⚠ WAARSCHUWING

Controleer vóór elk gebruik dat het snoertrimmes in de beschermkap goed is gepositioneerd is vastgezet.

EXTRA WAARSCHUWINGEN BATTERIJVEILIGHEID

⚠ WAARSCHUWING

Voorkom brand, persoonlijk letsel of materiële schade door kortsluiting en dompel het gereedschap, de wisselaccu en het laadtoestel niet onder in vloeistoffen en waarborg dat geen vloeistoffen in de apparaten en accu's kunnen dringen. Corrosieve of geleidende vloeistoffen zoals zout water, bepaalde chemicaliën, bleekmiddelen of producten die bleekmiddelen bevatten, kunnen een kortsluiting veroorzaken.

TRANSPORT EN OPSLAG

- Schakel het product uit, verwijder de accu en laat het product afkoelen voordat u het vervoert of opbergt.
- Verwijder alle vreemde voorwerpen van het product.
- Sla het product niet op en vervoer het product niet met geïnstalleerde batterijen. Verwijder de accu en berg deze apart op. Bewaar op een koele, droge en goed geventileerde plaats die niet toegankelijk is voor kinderen. Houd het product weg van corrosieve



producten, zoals tuinchemicaliën en ontdooingszout. Sla het product niet buitenshuis op.

- Voor transport beveilig u het product tegen bewegen of vallen om lichamelijke letsels of schade aan het product te voorkomen.

LITHIUMBATTERIJEN TRANSPORTEREN

De accu's dienen in overeenstemming met de plaatselijk en nationale regelgeving te worden getransporteerd. Respecteer alle speciale voorwaarden op de verpakking en etikettering wanneer u de accu's door derden laat transporteren.

Zorg ervoor dat de accu's tijdens het transport niet in contact komen met andere batterijen of geleidende materialen door blootliggende connectoren met isolerende, niet-geleidende doppen of plakband te beschermen. Transporteer geen accues die lekken of gebarsten zijn. Overleg met het transportbedrijf voor verder advies.

ONDERHOUD

⚠ WAARSCHUWING

Gebruik uitsluitend originele vervangonderdelen, accessoires en voorzetstukken van de fabrikant. Als u dit niet doet, kan dit mogelijks letsels of slechte prestaties veroorzaken waardoor uw garantie kan vervallen.

⚠ WAARSCHUWING

Het onderhoud vereist extreme voorzichtigheid en deskundigheid en mag enkel door een gekwalificeerde onderhoudstechnicus worden uitgevoerd. Het product mag uitsluitend door een erkend servicecentrum worden gerepareerd. Gebruik uitsluitend originele vervangonderdelen wanneer u onderhoudswerken aan de machine uitvoert.

- Schakel het apparaat uit en verwijder de accu voordat u onderhouds- of reinigingswerkzaamheden uitvoert.
- U mag uitsluitend de afstellingen of herstellingen uitvoeren die in deze gebruiksaanwijzing worden beschreven. Voor andere herstellingen of advies, vraagt u hulp in een geautoriseerd onderhoudscentrum.
- Als vervanglijn gebruikt u uitsluitend filamentlijnen uit nylon van de diameter die in de specificatielijst van deze gebruiksaanwijzing is beschreven.
- Nadat u een nieuwe maailijn hebt uitgebracht, brengt u het product altijd terug in de normale bedrijfspositie voor u start.
- Na elk gebruik, reinigt u het product met een zachte, droge doek. Een beschadigd onderdeel moet door een geautoriseerd onderhoudscentrum goed worden gerepareerd of vervangen.
- Controleer alle moeren, bouten en schroeven regelmatig en vóór elk gebruik om te garanderen dat het product in veilige staat verkeert. Een beschadigd onderdeel moet door een geautoriseerd onderhoudscentrum goed worden gerepareerd of vervangen.
- Breng het product naar een geautoriseerd

onderhoudscentrum om beschadigde of onleesbare etiketten te vervangen.

RESTRISICO'S

Zelfs wanneer het product zoals voorgeschreven wordt gebruikt, is het nog steeds onmogelijk om bepaalde restrisico's volledig te elimineren. De volgende gevaren kunnen ontstaan tijdens het gebruik en de bediener moet bijzondere aandacht hebben om de volgende situaties te voorkomen:

- Letsels veroorzaakt door trillingen
 - Houd het product uitsluitend vast aan de handvatten en beperk de bedrijfs- en blootstellingstijd.
- Verwondingen veroorzaakt door geluid.
 - Draag gehoorbescherming en beperk de blootstelling.
- Letsel veroorzaakt door rondvliegend puin.
 - Draag altijd gezichtsbescherming.

RISICOBEPERKING

Er zijn meldingen dat trillingen van handwerktuigen bij sommige mensen bijdragen tot het Syndroom van Raynaud. Symptomen kunnen ondermeer tintelingen, gevoelloosheid en bleek worden van de vingers omvatten, wat normaal gezien duidelijk wordt bij blootstelling aan koude. Erfelijke factoren, blootstelling aan koude en vocht, dieet, roken en werkrouetine kunnen allemaal bijdragen tot de ontwikkeling van deze symptomen. Er kunnen door de bediener maatregelen worden genomen om de gevolgen van de trillingen te beperken:

- Houd bij koud weer uw lichaam warm. Draag handschoenen terwijl u het product gebruikt om de handen en polsen warm te houden. Men neemt aan dat koud weer een belangrijke factor is die bijdraagt tot het Syndroom van Raynaud.
- Doe oefeningen om de bloeddorstroming te bevorderen na elke periode van gebruik.
- Neem regelmatig een pauze. Beperk het aantal uren dat u per dag wordt blootgesteld.

Wanneer u enige van de symptomen van deze aandoening ervaart, stop dan onmiddellijk met het gebruik van het toestel en raadpleeg uw dokter

⚠ WAARSCHUWING

Letsels kunnen worden veroorzaakt of ernstiger worden door verlengd gebruik van een werktuig. Als u een werktuig gedurende langere periodes gebruikt, neem dan regelmatig pauze.

KEN UW PRODUCT

Zie pagina 109.

Onderdelen

1. Aansluiting voor het accupak
2. Achterste handvat
3. Noodschakelaar
4. Variabele snelheidshendel.

5. Lader
6. Kabel laadapparaat
7. Accu
8. Batterijvergrendelknop
9. Spoeldeksele
10. Spoel
11. Maailijn
12. Afsnijblad voor de maailijn
13. Grasdeflector
14. Onderste schacht
15. Voorste handvat

SYMBOLEN OP HET PRODUCT



Lees en begrijp alle aanwijzingen voordat u het product gebruikt. Volg alle waarschuwingen en veiligheidsinstructies.



Draag gezichtsbescherming



Draag gehoorbescherming



Draag anti-slipschoeisel wanneer u het product gebruikt.



Gebruik geen metalen blad(en) op het product.



Stel niet bloot aan regen of vocht.



Houd rekening met weggeslingerde of rondvliegende voorwerpen. Houd alle omstanders, in het bijzonder kinderen en huisdieren, op tenminste 15m afstand van het werkgebied.



Houd handen weg van snijbladen.



Houd handen weg van snijbladen.



Gelieve de instructies zorgvuldig te lezen voordat u de machine in gebruik neemt.



Het gegarandeerd geluidsniveau bedraagt 92 dB.



Elektrisch afval mag niet samen met ander huishoudafval worden weggegooid. Gelieve te recyclen indien de mogelijkheid bestaat. Neem contact op met uw lokaal bestuur of handelaar om advies te krijgen over recyclage.



Dit apparaat voldoet aan alle geldende normen van Lid-Staat van de Europese Unie waar het werd gekocht.



EurAsian-symbool van overeenstemming.



Oekraiens conformiteitssymbool

De volgende signaalwoorden en betekenissen zijn bedoeld om de gevaarniveaus die met het product zijn verbonden, te verklaren:

⚠ GEVAAR

Wijst op een gevaarlijke situatie die, als ze niet wordt voorkomen, dodelijk kan zijn of ernstige verwondingen kan veroorzaken.

⚠ WAARSCHUWING

Wijst op een mogelijks gevaarlijke situatie die, als ze niet wordt voorkomen, dodelijk kan zijn of ernstige verwondingen kan veroorzaken.

⚠ LET OP

Wijst op een mogelijks gevaarlijke situatie die, als ze niet wordt voorkomen, kleine of middelmatige verwondingen kan veroorzaken.

LET OP

Zonder veiligheidswaarschuwingssymbool
Wijst op een situatie die kan leiden tot materiële schade.

SYMBOLEN IN DEZE GEBRUIKSAANWIJZING



Onderdelen of accessoires afzonderlijk verkocht



Opmerking



Waarschuwing

No design do seu aparador em linha sem fios demos prioridade à segurança, ao desempenho e à fiabilidade.

USO PREVISTO

O aparador em linha sem fios destina-se a ser utilizado por adultos que tenham lido e compreendido as instruções e os avisos neste Manual e que possam ser considerados responsáveis pelas suas ações.

O produto apenas se destina a ser usado ao ar livre numa área bem ventilada. Por motivos de segurança, o produto tem obrigatoriamente de ser controlado adequadamente, utilizando ambas as mãos durante a operação.

O produto, quando aplicada a cabeça de aparador em linha (e respetiva protecção), destina-se a cortar erva alta, ervas daninhas com polpa e vegetação semelhante, aproximadamente ao nível do chão. O plano de corte deve ser aproximadamente paralelo à superfície do chão ao aparar.

O produto não deve ser usado para cortar ou aparar sebes, arbustos ou outra vegetação em que o aparelho de corte não fique paralelo à superfície do chão.

Não a use para nenhuma outra finalidade.

AVISOS GERAIS DE SEGURANÇA

⚠️ ADVERTÊNCIA

Leia todos os avisos de segurança e todas as instruções. O facto de não seguir os avisos e as instruções pode conduzir a choque eléctrico, fogo e/ou lesão grave.

⚠️ ADVERTÊNCIA

Ao utilizar o produto, devem seguir-se as normas de segurança. Para a sua própria segurança e a dos que o rodeiam, leia estas instruções antes de utilizar o produto. Guarde as instruções para usá-las no futuro.

⚠️ ADVERTÊNCIA

O produto não deve ser utilizado por crianças nem por pessoas com capacidades físicas, mentais ou sensoriais reduzidas. As crianças devem ser mantidas sob vigilância adequada para se garantir que não brincam com o produto.

⚠️ ADVERTÊNCIA

Algumas regiões têm normas que limitam o uso do produto. Consulte a sua autoridade local para obter informação.

FORMAÇÃO

- Leia as instruções com atenção. Familiarize-se com todos os controlos e a utilização adequada do aparelho.
- Nunca permita que crianças ou pessoas que não estejam familiarizadas com estas instruções utilizem o produto. A legislação local pode restringir a idade do operador.

- Mantenha os transeuntes, as crianças e os animais a 15 m de distância da zona de operação. Desligue o aparelho se alguém entrar na área.
- Não utilize o produto se sentir fadiga, doente ou se estiver sob a influência de estupefacientes, álcool ou medicamentos.
- Mantenha em mente que o operador ou o utilizador é responsável pelos acidentes ou perigos que ocorrem a outras pessoas ou à sua propriedade.

PREPARAÇÃO

- Use óculos de protecção total para os olhos e ouvidos ao utilizar este produto. Ao trabalhar numa área onde haja um risco de queda de objectos, tem que se usar uma protecção para a cabeça.
- A protecção auditiva pode restringir a capacidade do operador de ouvir os sons de alarme. É preciso ter muita atenção aos perigos potenciais dentro e à volta da área de trabalho.
- Use luvas, botas e calças resistentes. Não utilize roupa larga, calções, joias nem utilize com os pés descalços.
- Prenda o cabelo comprido para que fique acima do nível dos ombros para evitar que fique emaranhado em peças móveis.
- Antes do seu uso e após qualquer impacto, comprove que não há peças danificadas. Os interruptores defeituosos ou gastas ou qualquer outra peça danificada devem ser substituídos ou reparados adequadamente por um estabelecimento de serviço autorizado.
- Assegure-se de que o acessório de corte está correctamente instalado e ajustado.
- Nunca opere com o produto a menos que todas as protecções, deflectores e cabos estejam unidos de forma correta e segura.
- Tenha em consideração o ambiente em que está a trabalhar. Mantenha a zona de trabalho livre de cabos, paus, pedras e sujidade que, se forem atingidos pela lâmina, podem converter-se em objetos lançados.

UTILIZAÇÃO E MANUTENÇÃO DA BATERIA

- Recarregue apenas com o carregador especificado pelo fabricante. Um carregador que seja adequado para um tipo de bateria pode causar risco de incêndio, quando utilizado com outra bateria.
- Use ferramentas eléctricas somente com baterias especificamente concebidas. O uso de qualquer outro tipo de bateria pode causar risco de lesões e incêndio.
- Quando a bateria não estiver a ser utilizada, mantenha-a afastada de outros objectos metálicos como cliques de papel, moedas, chaves, pregos, parafusos, ou outros pequenos objectos metálicos que podem fazer a ligação de um terminal para outro. Ligar os terminais da bateria em conjunto pode causar queimaduras ou um incêndio.
- Sob circunstâncias abusivas, o líquido pode ser ejectado da bateria, evite o contacto. Se o contacto ocorrer acidentalmente, limpe com água abundante. Se o líquido entrar em contacto com os olhos, procure adicionalmente assistência médica. O líquido ejectado da bateria pode causar irritação ou queimaduras.

AVISOS DE SEGURANÇA DA RECORTADORA DE FIO ELÉCTRICA RECARREGÁVEL

- Nunca deixe que o aparelho seja utilizado por crianças, pessoas com capacidade física, sensorial ou mental reduzida, pessoas sem experiência nem conhecimentos nem pessoas que não estejam familiarizadas com estas instruções.
- Utilize o produto à luz do dia ou com uma luz artificial eficaz.
- Evite utilizar a máquina em relva húmida.
- Mantenha uma postura e equilíbrio adequados em todas as circunstâncias e certifique-se de que mantém uma postura firme em inclinações.
- Não ande para enquanto usa este produto. Ande e nunca corra.
- Mantenha o acessório da cabeça abaixo da linha da cintura.
- Nunca utilize o produto com proteções danificadas ou sem as proteções colocadas.
- Nunca encaixe uma linha de substituição de metal.
- Mantenha sempre as mãos e os pés afastados dos meios de corte, especialmente quando ligar o motor.
- Cuidado: os meios de corte continuam a rodar depois de o motor estar desligado.
- Tenha cuidado com os objectos lançados pelo meio de corte. Limpe a sujidade como pequenas pedras, gravilha e outros objetos estranhos da zona de trabalho antes de começar a operar. Os cabos ou fio podem ficar emaranhados com as peças de corte.
- Para reduzir o risco de ferimentos associados ao contacto com peças móveis, desligue sempre o produto, desmonte a unidade da bateria e permitam que ambos arrefeçam. Certifique-se de que todas as peças em movimento pararam completamente:
 - antes de fazer reparações ou manutenção
 - antes de desobstruir bloqueios
 - antes de verificar, limpar ou funcionar com o produto
 - antes de substituir acessórios
 - depois de embater num objecto estranho
 - quando deixar o aparelho sem ninguém
 - sempre que fizer manutenção
 - se o produto começar a vibrar de forma anormal
- Use óculos de protecção total para os olhos e ouvidos ao utilizar este produto. Ao trabalhar numa área onde haja um risco de queda de objectos, tem que se usar uma protecção para a cabeça.
- A protecção auditiva pode restringir a capacidade do operador de ouvir os sons de alarme. É preciso ter muita atenção aos perigos potenciais dentro e à volta da área de trabalho.
- Use luvas, botas e calças resistentes. Não utilize roupa larga, calções, joias nem utilize com os pés descalços.
- Prenda o cabelo comprido para que fique acima do nível dos ombros para evitar que fique emaranhado em peças móveis.
- A lâmina pequena montada na guarda de segurança

foi concebida para aparar ao comprimento correcto a linha esticada quando é montada de novo, para obter um desempenho optimizado e em segurança. A lâmina é muito afiada. Não toque na lâmina, em particular, ao limpar o produto.

- Assegure-se sempre que as aberturas de ventilação se mantêm desobstruídas de detritos.
- Antes do seu uso e após qualquer impacto, comprove que não há peças danificadas. Os interruptores defeituosos ou gastas ou qualquer outra peça danificada devem ser substituídos ou reparados adequadamente por um estabelecimento de serviço autorizado.
- Assegure-se de que o acessório de corte está correctamente instalado e ajustado.
- Assegure-se de que todas as proteções, deflectores e cabos estão unidos de forma correcta e segura.
- Não faça nenhuma modificação ao produto. Isto pode aumentar o risco de causar ferimentos a si próprio e a outras pessoas.
- Use somente linhas de corte de substituição do fabricante. Não utilize nenhum tipo de peça cortante.
- Em caso de acidente ou avaria, desligue de imediato e retire a bateria. Não volte a operar o produto enquanto não tiver sido totalmente verificado por um centro de assistência autorizado.

⚠ ADVERTÊNCIA

Antes de cada utilização, certifique-se de que a lâmina de corte de fio na guarda está correctamente posicionada e fixa em segurança.

AVISOS DE SEGURANÇA ADICIONAIS DAS BATERIAS

⚠ ADVERTÊNCIA

Para evitar o risco de incêndio, de feridas ou de danificação do produto causado por um curto-circuito, não imerja a bateria intercambiável ou o carregador em líquidos e assegure-se de que líquidos não penetrem nos aparelhos ou nas baterias. Líquidos corrosivos ou condutivos como água salgada, determinadas substâncias químicas o produtos que contenham branqueadores podem causar um curto-circuito.

TRANSPORTE E ARMAZENAMENTO

- Desligue o produto, retire sempre a bateria e permita que o produto arrefeça antes de transportá-lo ou arrumá-lo.
- Limpe todos os materiais estranhos do produto.
- Não guarde nem transporte o produto com o conjunto de baterias montado. Retire a unidade da bateria e guarde-a separadamente. Guarde-o num local fresco e seco e bem ventilado a que as crianças não consigam aceder. Mantenha o produto afastado de agentes corrosivos tais como produtos químicos de jardim e

sais de remoção de gelo. Não guarde o produto em espaços exteriores.

- Para transportar, prenda o aparelho de modo a evitar que este se mova ou caia, para evitar lesões ou danos no produto.

TRANSPORTE DE BATERIAS DE LÍCIO

Transporte as baterias em conformidade com as disposições e regulamentos locais e nacionais. Siga todos os requisitos especiais na embalagem e rótulos ao transportar baterias por um terceiro.

Certifique-se de que nenhuma bateria pode entrar em contato com outras baterias ou materiais condutores durante o transporte protegendo os conectores expostos com tampas ou fita isoladora e não condutora. Não transporte baterias que estejam rachadas ou com fugas. Confirme com a empresa de envio para mais conselhos.

MANUTENÇÃO

⚠ ADVERTÊNCIA

Utilize apenas peças de substituição, acessórios e encaixes do fabricante original. A inobservância desta indicação pode causar um fraco desempenho, possíveis lesões e poderá anular a sua garantia.

⚠ ADVERTÊNCIA

Os serviços de manutenção requerem extremo cuidado e conhecimentos e devem apenas ser realizado por um técnico de assistência qualificado. Repare o seu produto exclusivamente num centro de assistência autorizado. Durante as operações de manutenção, utilize peças de substituição originais do fabricante.

- Antes de fazer quaisquer trabalhos de manutenção ou limpeza ao produto, desligue e desmonte o conjunto de baterias.
- Só pode proceder aos ajustes ou reparações descritas neste manual. Para outros reparos ou conselhos, procurar a ajuda de um centro de serviço autorizado.
- Ao substituir a linha use sempre linha com filamento de nylon com o diâmetro descrito na tabela de especificações neste manual.
- Após ter estendido a nova linha do aparador, volte sempre a colocar o produto na sua posição normal de operação antes de o ligar.
- Limpar o produto com um pano suave seco depois de cada uso. Qualquer peça danificada deve ser substituída ou reparada adequadamente por um centro de serviço autorizado.
- Antes de cada utilização e a intervalos regulares, inspeccione e certifique-se de que todas as porcas, parafusos e outros fixadores estão apertados com firmeza, para garantir que o produto está em condições que permitem o funcionamento em segurança. Qualquer peça danificada deve ser substituída ou reparada adequadamente por um centro de serviço autorizado.

- Leve o produto a um centro de serviço autorizado para substituir as etiquetas danificadas ou ilegíveis.

RISCOS RESIDUAIS

Mesmo quando se utiliza o produto segundo as instruções, continua a ser impossível eliminar por completo certos fatores de risco residuais. Podem surgir os seguintes riscos durante o uso e o operador deve prestar especial atenção para evitar o seguinte:

- Lesões por vibração
 - Segure o produto pelos cabos destinados para o efeito e limite o tempo de funcionamento e de exposição.
- Lesões devido ao ruído
 - Use proteção para os ouvidos e limite o tempo de exposição
- Ferimentos causados pela projecção de detritos.
 - Use sempre proteção para os olhos.

REDUÇÃO DO RISCO

Foi reportado que as vibrações das ferramentas de mão podem contribuir para uma doença designada de Síndrome de Raynaud em determinados indivíduos. Os sintomas podem incluir formigueiro, entorpecimento e empalidezimento dos dedos, habitualmente visível aquando da exposição ao frio. Estima-se que os fatores hereditários, exposição ao frio e humidade, dieta, tabagismo e práticas de trabalho contribuem todos para o desenvolvimento destes sintomas. Existem medidas que podem ser tomadas pelo operador para possivelmente reduzir os efeitos da vibração:

- Mantenha o seu corpo quente durante o tempo frio. Ao operar o produto, use luvas para manter as mãos e os pulsos quentes. Encontra-se reportado que o tempo frio é um grande factor que contribui para o Síndrome de Raynaud.
- Após cada período de operação, exercite para aumentar a circulação sanguínea.
- Faça pausas frequentes no trabalho. Limite o tempo de exposição por dia.

Caso sinta algum dos sintomas desta doença, interrompa de imediato a sua utilização e consulte o seu médico sobre estes sintomas.

⚠ ADVERTÊNCIA

O uso prolongado de uma ferramenta pode causar o agravar lesões. Ao usar qualquer ferramenta durante períodos prolongados, assegure-se que faz intervalos regulares.

CONHEÇA O SEU APARELHO

Ver a página 109.

Peças

1. Ligação à bateria
2. Pega traseira
3. Gatilho de bloqueio

4. Gatilho de velocidade variável
5. Carregador
6. Cabo do carregador
7. Bateria
8. Botão de fixação da bateria
9. Cobertura da bobina
10. Bobina
11. Linha de corte
12. Bloqueio da linha de corte
13. Deflector de Erva
14. Eixo inferior
15. Pega frontal

SÍMBOLOS NO PRODUTO



Antes de utilizar este produto, leia e compreenda todas as instruções neste Manual. Siga todos os avisos e todas as instruções de segurança.



Usar protecção para os olhos



Use protecção para os ouvidos



Utilize calçado de segurança antideslizante quando utilizar este produto.



Não utilize lâmina(s) de metal no produto.



Não o exponha à chuva ou a condições de humidade.



Tenha cuidado com os objectos voláteis ou lançados. Mantenha todos os espectadores, especialmente crianças e animais de estimação, a pelo menos 15 m da área de funcionamento.



Mantenha as mãos afastadas das lâminas.



Mantenha as mãos afastadas das lâminas.



Agradecemos que leia atentamente as instruções antes de iniciar a máquina.



O nível de potência sonora garantido é de 92 dB.



Os aparelhos eléctricos antigos não devem ser eliminados juntamente com o lixo doméstico. Recicle onde existem instalações para o efeito. Verifique com as suas Autoridades Locais ou revendedor para obter informações sobre reciclagem.



Esta ferramenta obedece a todas as normas regulamentares do país da UE onde foi comprada.



Marca de conformidade EurAsian.



Marca de conformidade ucraniana

As seguintes palavras de sinal e significados destinam-se a explicar os níveis de risco associados a este produto:

⚠ PERIGO

Indica uma situação perigosa iminente, que, se não evitada, poderá resultar em morte ou ferimentos graves.

⚠ ADVERTÊNCIA

Indica uma situação potencialmente perigosa, que, se não evitada, poderá conduzir à morte ou graves lesões.

⚠ ADVERTÊNCIA

Indica uma situação potencialmente perigosa, que, se não evitada, poderá resultar em pequenas ou moderadas lesões.

ADVERTÊNCIA

Sem símbolo de alerta de segurança

Indica uma situação que pode resultar em danos de propriedade.

SÍMBOLOS NESTE MANUAL



As peças ou acessórios vendem-se separadamente



Nota



Aviso



Ved udformningen af din batteridrevne linetrimmer har vi givet topprioritet til sikkerhed, ydelse og driftssikkerhed.

TILTÆNKT ANVENDELSESFORMÅL

Den batteridrevne linetrimmer er kun beregnet til at blive anvendt af voksne personer, der har læst og forstået instruktionerne og advarslerne i denne brugsvejledning, og som kan betragtes som værende ansvarlige for deres handlinger.

Produktet er kun beregnet til brug i det fri i et godt ventileret område. Af sikkerhedsmæssige årsager skal produktet betjenes med to hænder, så man kan kontrollere det ordentligt.

Produktet med monteret linetrimmerhoved (og relevant afskærmning) er kun beregnet til klipning af langt græs, omfangsrigt ukrudt og tilsvarende vegetation på jordniveau eller umiddelbart derover. Skæreplanet skal være ca. parallelt med jordoverfladen ved trimning.

Produktet bør ikke bruges til klipning eller trimning af hække, buske eller anden vegetation, hvor klippeplanet ikke er parallelt med jordoverfladen.

Må ikke bruges til andre formål.

GENERELLE SIKKERHEDSADVARSLER

⚠ ADVARSEL

Alle sikkerhedsadvarsler og alle anvisninger skal læses. Manglende overholdelse af advarslerne og anvisningerne kan medføre elektrisk stød, brand og/eller alvorlige personskader.

⚠ ADVARSEL

Når produktet anvendes, skal sikkerhedsreglerne overholdes. Af hensyn til egen og andres sikkerhed skal man læse denne brugsanvisning, inden produktet anvendes. Disse sikkerhedsregler skal opbevares med henblik på senere brug.

⚠ ADVARSEL

Produktet er ikke beregnet til at blive benyttet af børn eller personer med nedsatte fysiske, mentale eller sensoriske evner. Børn bør holdes under tilstrækkeligt opsyn, så man er sikker på, at de ikke leger med produktet.

⚠ ADVARSEL

Nogle områder har regler, som begrænser brugen af produktet. Forhør dig hos de lokale myndigheder.

UDDANNELSE

- Læs brugsanvisningen omhyggeligt. Sørg for at blive fortrolig med betjeningselementerne samt den korrekte brug af produktet.
- Lad aldrig børn eller personer uden kendskab til denne brugsanvisning bruge produktet. Lokale love kan have indflydelse på den tilladte brugerage.

- Tilskuere, børn og kæledyr skal have en sikkerhedsafstand på mindst 15 m til arbejdsområdet. Stop produktet, hvis uvedkommende kommer ind i området.
- Anvend ikke produktet, hvis du er træt, syg eller du har taget stoffer, drukket alkohol eller taget medicin.
- Husk, at brugeren selv er ansvarlig for ulykker eller farer, som andre personer bliver udsat for.

FORBEREDELSE

- Benyt fuldt øjen- og høreværn under arbejde med dette produkt. Hvis der arbejdes i et område med fare for nedfaldende genstande, skal der bæres hovedværn.
- Øreværn kan nedsætte operatørens evne til at høre advarselsslyde. Vær særligt opmærksom på potentielle faremomenter omkring og i arbejdsområdet
- Bær kraftige, lange bukser, støvler og handsker. Undlad at bære løstsiddende tøj, korte bukser, smykker af enhver art eller gå barfodet.
- Langt hår skal bindes op over skulderniveau, så det ikke risikerer at vikle sig ind i bevægelige dele.
- Inden ibrugtagning og efter enhver ydre påvirkning skal man kontrollere, at der ikke findes beskadigede dele. En defekt kontakt eller en del, som er blevet beskadiget eller slidt, skal repareres ordentligt eller udskiftes på et autoriseret serviceværksted.
- Kontrollér, at klippeudstyret er monteret korrekt og ordentligt fastgjort.
- Produktet må aldrig benyttes, før alle skærme, deflektorer og håndtag er fastgjort ordentligt og sikkert.
- Overvej grundigt hvilken type arbejdsmiljø du befinder dig i. Hold arbejdsområdet ryddet for ledninger, pinde, sten og affald, som ved kontakt med klipperen kan blive til udslyngede genstande.

BRUG OG PLEJE AF BATTERI/ÆRKTØJ

- Opladning må kun finde sted med den af producenten foreskrevne oplader. En oplader, der er beregnet til én type batteri, kan udgøre en brandrisiko, hvis den bruges til en anden batteritype.
- Brug kun elværktøjer sammen med specifikt godkendte batterier. Brug af andre batterityper kan medføre fare for personskade og brand.
- Når batteriet ikke bruges, må det ikke opbevares sammen med metalgenstande som fx papirclips, mønter, nøgler, søm, skruer eller andre metalgenstande, som kan skabe forbindelse mellem batteriets poler. Hvis batteriets poler kortsluttes, kan det forårsage forbrændinger eller ildebrand.
- Hvis batteriet misbruges, kan der sprøjte væske ud af det; undgå kontakt med batterivæsken. Ved kontakt med batterivæsken skylles der med vand. Hvis der kommer væske i øjnene, søges desuden læge. Udsprøjtet batterivæske kan forårsage irritation eller forbrændinger.



SIKKERHEDSADVARSLER FOR BATTERIDREVET LINETRIMMER

- Produktet må aldrig benyttes af børn, personer med begrænsede fysiske, sensoriske eller mentale evner eller manglende erfaring og viden, eller af folk, der ikke er fortrolige med denne brugsanvisning.
- Anvend produktet i dagslys eller godt kunstigt lys.
- Undgå at bruge maskinen i vådt græs.
- Sørg altid for godt fodfæste og balance, og vær sikker på godt fodfæste på skråninger.
- Undgå at gå baglæns under brug af produktet. Gå, løb aldrig.
- Hold hovedtilbehøret under livniveau.
- Brug aldrig produktet med beskadigede afskærmninger eller uden påsatte afskærmninger.
- Anvend aldrig en metalsnor i enheden.
- Hold altid hænder og fødder væk fra skæredelene, dette især når motoren tændes.
- Vær opmærksom på, at skæreorganet fortsætter med at rotere, efter motoren er slukket.
- Pas på bortslyngede objekter fra klippeudstyr. Fjern affald som små sten, ral og andre fremmedlegemer fra arbejdsområdet, inden arbejdets start. Ledninger og snore kan blive viklet ind i klippeudstyret.
- Sluk altid for produktet, fjern batteripakken og lad begge dele køle af for at reducere risikoen for personskader ved kontakt med bevægelige dele. Kontrollér, at alle bevægelige dele er standset fuldstændigt:
 - før betjening
 - før rydning af en blokering
 - inden kontrol, rengøring eller arbejde på produktet
 - før der skiftes tilbehør
 - efter at have ramt et fremmedelement
 - når produktet efterlades uden opsyn
 - under vedligeholdelse
 - hvis produktet begynder at vibrere unormalt
- Benyt fuldt øjen- og høreværn under arbejde med dette produkt. Hvis der arbejdes i et område med fare for nedfaldende genstande, skal der bæres hovedværn.
- Øreværn kan nedsætte operatørens evne til at høre advarselsslyde. Vær særligt opmærksom på potentielle faremomenter omkring og i arbejdsområdet
- Bær kraftige, lange bukser, støvler og handsker. Undlad at bære løstsiddende tøj, korte bukser, smykker af enhver art eller gå barfodet.
- Langt hår skal bindes op over skulderniveau, så det ikke risikerer at vikle sig ind i bevægelige dele.
- Den lille klinge, der sidder fast på sikkerhedsafskærmningen, er beregnet til at afskære den nye forlængede line til den korrekte længde af hensyn til sikkerheden, og så du kan få det bedst mulige resultat. Kniven er meget skarp. Berør ikke kniven, især ikke når du rengører produktet.
- Sørg altid for, at ventilationsåbningerne er fri for affald.
- Inden ibrugtagning og efter enhver ydre påvirkning skal man kontrollere, at der ikke findes beskadigede dele. En defekt kontakt eller en del, som er blevet beskadiget

eller slidt, skal repareres ordentligt eller udskiftes på et autoriseret serviceværksted.

- Kontrollér, at klippeudstyret er monteret korrekt og ordentligt fastgjort.
- Kontrollér, at alle skærme, og håndtag er fastgjort ordentligt og sikkert.
- Du må ikke ændre produktet på nogen måde. Det kan forøge risikoen for kvæstelse for dig selv eller andre.
- Brug kun udskiftningstråd fra producenten. Der må ikke bruges andet skærende udstyr.
- Sluk med det samme, og fjern batteripakken i tilfælde af en ulykke eller et nedbrud. Betjen ikke produktet igen, før det er blevet kontrolleret fuldstændigt af et godkendt servicecenter.

⚠ ADVARSEL

Sørg for, at klingen til at skære snor er ordentligt placeret før hver brug.

YDERLIGERE SIKKERHEDSADVARSLER OM BATTERI

⚠ ADVARSEL

Før at undgå risiko for brand, kvæstelser eller beskadigelse af produktet forårsaget af kortslutning må værktøjet, batteripakken eller opladeren ikke nedsænkes i vand. Sørg ligeledes for, at der ikke trænger væske ind i enhederne og batterierne. Korroderende eller ledende væsker, f.eks. saltvand, bestemte kemikalier, blegestoffer eller produkter, som indeholder blegemidler, kan forårsage kortslutning.

TRANSPORT OG OPBEVARING

- Sluk for produktet, og fjern batteripakken, og lad det afkøle inden det opbevares eller transporteres.
- Afrens alle fremmedlegemer fra produktet.
- Lad være med at opbevare eller transportere produktet med batterier isat. Fjern batteripakken og placer den separat. Opbevar den på et køligt, tørt og godt ventileret sted utilgængeligt for børn. Sørg for, at produktet ikke kommer i nærheden af korrosive stoffer såsom havekemikalier og strøsalt. Opbevar ikke produktet uendørs
- Til transport skal man sikre produktet, så den ikke kan bevæge sig eller vælte; dette for at forebygge personskader eller skader på produktet.

TRANSPORT AF LITHIUM-BATTERIER

Batterier skal transporteres i henhold til lokale og nationale forskrifter og love. Når batterier skal transporteres af tredjepart, skal alle specielle krav til emballering og mærkning overholdes.

Man skal sikre sig, at ingen batterier under transporten kan komme i kontakt med andre batterier eller ledende materialer ved at beskytte blottede konnektorer med isolerende, ikke-ledende hætter eller tape. Undlad at

transportere batterier med revner eller utætheder. Rådfør dig desuden med spedtøren.

VEDLIGEHOLDELSE

⚠ ADVARSEL

Brug kun originale reservedele, ekstraudstyr og tilbehør fra producenten. I modsat fald er der fare for personskader, dårlig maskinydelse og annullering af garantien.

⚠ ADVARSEL

Vedligeholdelse kræver stor omhyggelighed og viden og bør kun udføres af en kvalificeret tekniker. Lad kun et autoriseret serviceværksted servicere produktet. Brug kun originale reservedele fra maskinproducenten i forbindelse med servicearbejde.

- Sluk produktet og fjern batteripakken, inden der udføres vedligeholdelses- eller rengøringsarbejde.
- Man kan selv foretage de justeringer eller reparationer, der er beskrevet i denne brugsanvisning. For andre reparationer eller råd skal man søge assistance på et autoriseret servicecenter.
- Tråden må kun udskiftes med en nylonfilamenttråd med den diameter, der er beskrevet i specifikationstabellen i denne brugsanvisning.
- Når man har monteret en ny tråd, skal produktet altid stilles tilbage i normal arbejdsposition, inden den startes.
- Produktet skal rengøres med en blød klud efter hver brug. Enhver del, som bliver beskadiget, skal repareres korrekt eller udskiftes hos et autoriseret servicecenter.
- Tjek alle møtrikker, bolte og skruer før brug og ved regelmæssige intervaller for at sikre, at de er strammet ordentligt og at produktet er i en sikker funktionstilstand. Enhver del, som bliver beskadiget, skal repareres korrekt eller udskiftes hos et autoriseret servicecenter.
- Indlevér produktet hos et autoriseret servicecenter for at få udskiftet beskadigede eller ulæselige mærkater.

UUNDGÅELIGE RISICI

Selv om produktet anvendes som foreskrevet, er det stadig umuligt at eliminere visse uundgåelige risikofaktorer fuldstændigt. Følgende risici kan opstå under brug, og operatøren bør være særligt opmærksom for at undgå følgende:

- Personskader forårsaget af vibration
 - Hold produktet i de hertil indrettede håndtag, og begræns arbejdstiden og eksponeringen.
- Personskader forårsaget af støj
 - Benyt høreværn, og begræns eksponering
- Kvæstelse forårsaget af flyvende haveaffald.
 - Der skal altid benyttes øjenværn.

RISIKOREDUKTION

Der er rapporteret om, at vibrationer fra håndholdte værktøjer kan være medvirkende til en lidelse kaldet Raynauds syndrom hos visse personer. Symptomerne herpå kan være prikken, følelsesløshed og blegning af fingrene, der normalt viser sig ved kuldepåvirkning. Faktorer som arvelighed, udsættelse for kulde og fugt, kost, rygning og arbejdsvaner menes alle at medvirke til udviklingen af disse symptomer. Der findes forholdsregler, som operatøren kan træffe for at begrænse påvirkningen fra vibrationer:

- Hold kroppen varm i koldt vejr. Brug handsker, så hænder og vriste holdes varme under arbejdet. Der er rapporteret om, at koldt vejr er en væsentlig faktor til Raynauds syndrom.
- Motionér efter hver arbejdsperiode for at øge blodcirkulationen.
- Hold hyppige arbejdspauser. Begræns eksponeringen for vibrationer pr. dag.

Hvis du mærker nogen af symptomerne på denne tilstand, skal du straks ophøre med arbejdet og søge læge.

⚠ ADVARSEL

Længere tids brug af et værktøj kan forårsage - eller forværre - personskader. Når man bruger et værktøj i længere perioder ad gangen, skal man huske at holde hyppige pauser.

KEND PRODUKTET

Se side 109.

Dele

1. Batteriets forbindelsessted
2. Baghåndtag
3. Låseaktivering
4. Udløser med variabel hastighed
5. Oplader
6. Opladningskabel
7. Batteri
8. Batteri-låseknop
9. Spoleskærm
10. Spole
11. Klippetråd
12. Tråd afskæringsblad
13. Græsafsikrning
14. Nederste skaft
15. Forhåndtag

SYMBOLER PÅ PRODUKTET



Læs og forstå alle anvisninger inden betjening af produktet. Overhold alle advarsler og sikkerhedsanvisninger.



Benyt øjenværn



Bær høreværn



Benyt skridsikkert sikkerhedsfodtøj, når produktet anvendes.



Undgå brug af metalklinge(r) på produktet.



Må ikke udsættes for regn eller bruges på fugtige steder.



Pas på udslyngede eller flyvende objekter. Sørg for, at tilskuere (især børn og dyr) har mindst 15 m afstand fra arbejdsområdet.



Hold hænderne på afstand af knivene.



Hold hænderne på afstand af knivene.



Læs venligst vejledningen grundigt igennem før maskinen tages i brug.



Det garanterede lydeffektniveau er 92 dB(A).



Elektriske affaldsprodukter bør ikke afskaffes sammen med husholdningsaffald. Genbrug venligst hvor faciliteterne tillader dette. Tjek med din lokale kommune eller forhandler for genbrugsråd.



Dette redskab overholder alle lovkrav og standarder i det EU-land, hvor det er købt.



EurAsian overensstemmelsesmærke.



Ukrainsk overensstemmelsesmærke

Indikerer en meget farlig situation, som hvis ikke undgås, kan føre til alvorlige skader og i værste fald døden.

⚠ ADVARSEL

Indikerer en potentielt farlig situation, som hvis ikke undgås, kan føre til alvorlige skader og i værste fald døden.

⚠ PAS PA

Indikerer en potentielt farlig situation, som hvis ikke undgås, kan føre til mindre eller moderate skader.

PAS PA

Uden sikkerhedsadvarselssymbol

Indikerer en situation, som kan medføre materiel skade.

SYMBOLER I DENNE BRUGSANVISNING



Dele eller tilbehør, der sælges separat



Bemærk



Advarsel

Formålet med nedenstående signalord og betydninger er at tydeliggøre risikoniveauet i forbindelse med produktet:

⚠ FARE

Säkerhet, prestanda och pålitlighet har fått högsta prioritet vid utformningen av den trådlösa strängtrimmern.

ANVÄNDNINGSSOMRÅDE

Den trådlösa strängtrimmern är endast avsedd för vuxna användare som har läst och förstått instruktionerna och varningarna i denna manual, och som kan anses vara ansvariga för sina handlingar.

Produkten är enbart avsedd för utomhusbruk på väl ventilerade områden. Av säkerhetsskäl ska båda händerna användas för korrekt manövrering av produkten.

När den är försedd med strängtrimmerhuvudet (och lämpligt skydd), är produkten avsedd för att klippa högt gräs, tjockt ogräs och liknande växtlighet, på eller över marknivå. Skärplanet bör ligga ungefär parallellt med markytan vid trimning.

Produkten ska inte användas för att kapa eller trimma häckar, buskar eller annan vegetation där skärplanet inte är parallellt med marknivån.

Får ej användas för annat ändamål.

ALLMÄNNA SÄKERHETSFÖRESKRIFTER

⚠ VARNING

Läs alla säkerhetsvarningar och alla instruktioner. Om du inte följer varningarna och anvisningarna kan du orsaka elektrisk stöt, brand och allvarlig skada.

⚠ VARNING

När man använder produkten måste säkerhetsföreskrifterna följas. För din egen, och andra närvarandes säkerhet, läs alltid dessa instruktioner innan du använder produkten. Förvara instruktionerna på säker plats.

⚠ VARNING

Produkten är inte avsedd för användning av barn eller personer med fysiska, mentala eller emotionella funktionshinder. Barn ska alltid övervakas så att de inte leker med produkten.

⚠ VARNING

I vissa regioner finns regleringar som begränsar användning av produkten. Ta kontakt med lokala myndigheter för information.

UTBILDNING

- Läs igenom instruktionerna noga. Bekanta dig med reglagen och rätt användning av produkten.
- Låt aldrig barn eller personer som inte känner till dessa instruktioner använda maskinen. Lokala regler kan åldersbegränsa användningen av gräsklipparen.
- Håll åskådare, barn och husdjur på minst 15 meters avstånd. Stoppa produkten om någon kommer i närheten.

- Använd inte produkten när du är trött, sjuk eller är påverkad av droger, alkohol eller medicin.
- Kom ihåg att användaren är ansvarig för olyckor och faror som uppstår för andra människor och deras egendom.

FÖRBEREDelser

- Använd alltid ögon- och hörselskydd vid användning av produkten. Skyddshjälm ska användas på platser där det finns risk för fallande föremål.
- Hörselskydd kan begränsa användarens möjlighet att höra varningsljud. Var extra uppmärksam på eventuella risker i och kring arbetsområdet.
- Bär grova, långa byxor, stövlar och handskar. Bär inte löst sittande kläder, korta byxor eller smycken. Ha skor på fötterna.
- Sätt upp hår som är längre än till axlarna så att det inte trasslas in i rörliga delar.
- Kontrollera före användning och efter påverkan att det inte finns några skadade delar. Ett defekt reglage eller någon del som är skadad eller sliten ska repareras eller ersättas av godkänt servicecenter.
- Se till att skärtilbehöret är korrekt installerat och ordentligt fäst.
- Använd inte maskinen om inte alla skydd, avvisare och handtag är korrekt och ordentligt monterade.
- Tänk på vilken omgivning du arbetar i. Håll arbetsområdet fritt från vajrar, pinnar, stenar och skräp som kan träffas och flyga iväg.

ANVÄNDNING OCH UNDERHÅLL AV BATTERIET

- Använd endast den batteriladdare som tillverkaren rekommenderar. En batteriladdare som passar en typ av batteripack kan vara en brandfara om den används med en annan typ av batteripack.
- Använd eldrivna verktyg med batteripaket som är speciellt utformade för användning tillsammans med produkterna. Om du använder andra batteripaket ökar du risken för skador och brand.
- När batteripaketet inte används ska det hållas bort från metallföremål som gem, mynt, nycklar, spikar, skruvar och andra små metallföremål som kan kortsluta batteriets kontakter. Vid kortslutning av batteriets kontakter finns det risk för brännskador eller brand.
- Vätska kan läcka ut från batteripaketet vid felaktig användning; undvik kontakt med vätskan. Spola med vatten om du kommer i kontakt med den. Uppsök omedelbart läkarhjälp om du får vätska i ögonen. Den kan orsaka irritation och brännskador.

SÄKERHETSVARNINGAR FÖR SLADDLÖS TRIMMER MED LINA

- Se till att barn eller personer med nedsatt fysisk eller psykisk förmåga, eller personer som inte är erfarna eller inte bekanta med dessa instruktioner aldrig använder produkten.
- Använd produkten i dagsljus eller bra konstgjort ljus.
- Använd inte maskinen i vått gräs.



- Behåll korrekt fotgrepp och balans vid alla tillfällen och se till att ha korrekt fotgrepp på sluttningar.
- Gå inte baklänges när produkten används. Gå. Spring aldrig.
- Håll huvudtillbehöret under midjenivå.
- Använd aldrig produkten om skydden är skadade eller utan skydd.
- Montera aldrig en utbyteslina av metall.
- Håll alltid händer och fötter borta från trimmerdelarna, speciellt under motorstart.
- Obs! Skärenheten fortsätter att rotera efter att motorn har stängts av.
- Se upp för föremål som kastas i väg av skäranordningen. Rensa bort skräp som småstenar, grus och andra främmande föremål från arbetsområdet innan arbetet påbörjas. Vajrar eller tråd kan trasslas in i skärverket.
- För att minska risken för olycksfall i samband med rörliga delar, stäng alltid av produkten och avlägsna batteripaketet, och låt båda svalna. Se till att samtliga rörliga delar har stannat helt:
 - före service
 - före rensning av en blockering
 - före kontroll av, rengöring av eller arbete med produkten
 - före byte av tillbehör
 - efter kollision med ett främmande föremål
 - när produkten lämnas utan övervakning
 - alltid när underhåll utförs
 - när maskinen börjar vibrera onormalt
- Använd alltid ögon- och hörselskydd vid användning av produkten. Skyddshjälm ska användas på platser där det finns risk för fallande föremål.
- Hörselskydd kan begränsa användarens möjlighet att höra varningsljud. Var extra uppmärksam på eventuella risker i och kring arbetsområdet.
- Bär grova, långa byxor, stövlar och handskar. Bär inte löst sittande kläder, korta byxor eller smycken. Ha skor på fötterna.
- Sätt upp hår som är längre än till axlarna så att det inte trasslas in i rörliga delar.
- Det lilla bladet som är fäst vid säkerhetsskyddet är avsett för att trimma den nya, förlängda lanan till korrekt längd för säker och optimal prestanda. Bladet är väldigt vasst. Vidrör inte bladet, särskilt vid rengöring av produkten.
- Säkerställ alltid att ventilationshålen är öppna och fria från smuts.
- Kontrollera före användning och efter påverkan att det inte finns några skadade delar. Ett defekt reglage eller någon del som är skadad eller sliten ska repareras eller ersättas av godkänt servicecenter.
- Se till att skärtillbehöret är korrekt installerat och ordentligt fäst.
- Se till att alla skydd, avvisare och handtag sitter fast ordentligt
- Ändra inte produkten på något sätt. Detta kan öka risken för skada på dig själv eller andra.
- Använd enbart ersättningsstråd från tillverkaren. Använd inga andra skärtillbehör.

- Stäng omedelbart av produkten och plocka ur batteripaketet vid olycksfall eller fel. Använd inte produkten igen innan den har kontrollerats i sin helhet av en auktoriserad serviceverkstad.

⚠ VARNING

Kontrollera att skyddet för trådkapningsbladet är korrekt placerat och ordentligt spänt före användning.

YTTERLIGARE SÄKERHETSVARNINGAR FÖR BATTERIER

⚠ VARNING

För att undvika den fara för brand, personskador eller produktskador som orsakas av en kortslutning, doppa inte ner verktyget, batteripaketet eller laddaren i vätskor och se till att ingen vätska kan tränga in i apparaterna eller batterierna. Korroderande eller ledande vätskor, som saltvatten, vissa kemikalier, blekningsmedel eller produkter som innehåller blekmedel, kan orsaka en kortslutning.

TRANSPORT OCH FÖRVARING

- Stäng av produkten, ta ur batteripaketet och låt produkten svalna innan den förvaras eller transporteras.
- Ta bort allt främmande material från produkten.
- Förvara eller transportera inte produkten med batterierna insatta. Avlägsna batteripaketet och säkra det separat. Förvara den svalt och välventilerat på en plats där barn inte kan komma åt den. Håll produkten borta från frätande ämnen, såsom trädgårdskemikalier och vägsalt. Förvara inte produkten utomhus.
- Vid transport ska produkten säkras mot rörelser eller fallande för att förhindra personskador eller att produkten skadas.

TRANSPORTERA LITIUMBATTERIER

Transportera batterier enligt lokala och nationella riktlinjer och föreskrifter. Följ alla särskilda krav på förpackning och etikettering vid transport av batterier som utförs av tredje part.

Se till att inga batterier kan komma i kontakt med andra batterier eller ledande material under transporten genom att skydda exponerade kontaktytor med isolerande, icke ledande överdrag eller tejp. Transportera aldrig batterier som har spruckit eller som läcker. Kontrollera med det transporterande företaget för vidare rådgivning.

UNDERHÅLL

⚠ VARNING

Använd enbart reservdelar och tillbehör från tillverkaren. Om inte kan det eventuellt orsaka skador, sämre resultat och kan upphäva garantin.



VARNING

Att serva produkten kräver extrem försiktighet och kunskap och bör endast utföras av en kvalificerad servicetekniker. Produkten får endast repareras på ett auktoriserat servicecenter. Under servicearbete ska enbart tillverkarens originaldelar användas.

- Slå från och ta bort batterierna innan du utför något underhålls- eller rengöringsarbete.
- Du får enbart göra justeringar eller reparationer som nämns i denna manual. För andra reparationer eller för råd ska du alltid vända till auktoriserat servicecenter.
- Använd enbart den specificerade nylontråden (finns i specifikationstabell i denna manual) vid utbyte.
- När ny skärtråd är ute ska maskinen tillbaka i normalt arbetsläge innan den startas.
- Efter rengöring ska maskinen alltid rengöras med en mjuk torr trasa. Skadade delar skall repareras ordentligt eller bytas ut av en auktoriserad servicefirma.
- Kontrollera alla muttrar, bultar och skruvar före varje användning och med täta intervall, så att de är ordentligt åtdragna och så att produkten är i säkert skick för användning. Skadade delar skall repareras ordentligt eller bytas ut av en auktoriserad servicefirma.
- Lämna produkten till auktoriserat servicecenter för utbyte av skadade eller oläsbara etiketter.

KVARSTÄENDE RISKER

Även om produkten används enligt instruktionerna går det inte att eliminera alla eventuella kvarstående riskfaktorer. Följande risker kan uppstå vid användning och operatören ska vara extra uppmärksam för att undvika följande:

- Skada orsakad av vibration
 - Håll produkten i de avsedda handtagen och begränsa arbetstid och exponering.
- Skador orsakade av damm
 - Använd hörselskydd och begränsa exponeringen
- Olycka orsakad av flygande skräp.
 - Använd alltid lämpligt ögonskydd.

RISKMINSKNING

Det finns rapporter om att vibrationer från handhållna verktyg kan bidra till ett tillstånd som kallas Raynauds syndrom för vissa personer. Symptomen brukar vara att det sticker i fingrarna och att de domnar bort; fingrarna kan också bli vita, särskilt vid kyla. Årftliga faktorer, kyla och fukt, diet, rökning och arbetsrutiner tros alla bidra till att orsaka dessa symptom. Det finns förebyggande åtgärder som du kan vidta för att försöka minska vibrationernas påverkan:

- Håll dig varm när du arbetar i kallt väder. Använd handskar för att hålla händer och handleder varma under användning. Kyla har rapporterats som en viktig del i utvecklandet av Raynauds syndrom.
- Träna och rör på dig efter varje användningstillfälle för att öka blodcirkulationen.
- Ta ofta pauser från arbetet. Begränsa tiden du utsätter dig varje dag.

Upphör omedelbart om du upplever några av dessa symptom och uppsök din läkare.

VARNING

Risk för person- eller slitageskador vid användning av verktyget under lång tid. Om verktyget används under längre perioder krävs regelbundna pauser.

LÄR KÄNNA PRODUKTEN

Se sida 109.

Delar

1. Anslutning till batteriet
2. Bakre handtag
3. Låsutlösare
4. Reglage för variabel hastighet
5. Batteriladdare
6. Kabel till laddare
7. Batteri
8. Knapp för batterispärr
9. Rullens kåpa
10. Rulle
11. Skärtråd
12. Avskärare för tråd
13. Gräsavvisare
14. Nedre skaft
15. Främre handtag

SYMBOLER PÅ PRODUKTEN



Läs och se till att du förstår alla anvisningar innan du använder produkten. Följ alla varningar och säkerhetsanvisningar.



Bär ögonskydd



Använd hörselskydd



Bär halkskyddade säkerhetsskor när du använder produkten.



Använd inte metallblad för produkten.



Utsätt inte för regn eller våta omgivning.



Se upp för kringkastade eller flygande föremål. Håll alla åskådare, särskilt barn och husdjur, på minst 15 meters avstånd från arbetsområdet.



Håll händerna borta från bladen.



Håll händerna borta från bladen.



Läs instruktionerna ordentligt innan start av maskinen.



Garanterad ljudnivå är 92 dB.



Gamla elektroniska produkter ska inte kastas med hushållssoporna. Återvinn där sådana faciliteter finns. Kontrollera med din lokala myndighet eller säljaren för att få återvinningstips.



Detta verktyg uppfyller alla standarder i de EU-länder där det kan köpas.



EurAsian överensstämmelsesymbol.



Ukrainskt märke för överensstämmelse

SYMBOLER I MANUALEN



Delar och utrustning säljs separat



OBS



Varning

EN

FR

DE

ES

IT

NL

PT

DA

SV

FI

NO

RU

PL

CS

HU

RO

LV

LT

ET

HR

SL

SK

BG

UK

TR

Följande signalord och betydelser är avsedda att beskriva risknivåer associerade med produkten:

⚠ FARA

Indikerar en överhängande farlig situation som kan, om den inte undviks, resultera i dödsfall eller allvarlig skada.

⚠ VARNING

Indikerar en potentiellt farlig situation som kan, om den inte undviks, resultera i dödsfall eller allvarlig skada.

⚠ PÅMINNELSE

Indikerar en potentiellt farlig situation som kan, om den inte undviks, resultera i mindre eller medelstora skador.

PÅMINNELSE

Utan säkerhetssymbol

Visar på en situation som kan orsaka skada på egendom.

Turvallisuus, tehokkuus ja käyttövarmuus ovat langattoman ruohotrimmerin tärkeimpiä ominaisuuksia.

KÄYTTÖTARKOITUS

Langaton ruohotrimmeri on tarkoitettu ainoastaan aikuisten käytettäväksi. Käyttäjien tulee lukea ja ymmärtää tämän käyttöoppaan ohjeet ja varoitukset, ja heitä on voitava pitää vastuullisina tekemisistään.

Tuote on tarkoitettu ainoastaan ulkokäyttöön hyvin tuuletetuilla alueilla. Turvallisuuden varmistamiseksi tuotetta on ohjattava hallintakahvoilla kahdella kädellä.

Kun tuotteessa on ruohotrimmeripää (ja asiaankuuluva suoja), se on suunniteltu leikkaamaan pitkää ruohoa, paksuvartisia rikkakasveja ja vastaavia suunnilleen maanpinnan tasolta. Leikkuutason tulisi olla suunnilleen samansuuntainen maanpintaan nähden trimmeröitäessä.

Laitetta ei saa käyttää pensasaitojen, pensaikkojen tai muun kasvillisuuden leikkaukseen eikä trimmaukseen, jos leikkuutaso ei ole maanpinnan suuntainen.

Älä käytä muihin tarkoituksiin.

YLEISET TURVALLISUUSVAROITUKSET

VAROITUS

Lue kaikki turvallisuusvaroitukset ja ohjeet. Varoitusten ja ohjeiden laiminlyönnistä voi seurata sähköisku, tulipalo ja/tai vakava loukkaantuminen.

VAROITUS

Noudata turvallisuussääntöjä tuotetta käyttäessäsi. Oman ja sivullisten turvallisuuden vuoksi, lue nämä ohjeet ennen tuotteen käynnistämistä. Säilytä ohjeet tulevaa käyttöä varten.

VAROITUS

Tuotetta ei ole tarkoitettu lasten eikä sellaisten ihmisten käytettäväksi, joiden ruumiin, aistien tai mielen suorituskyky on heikentynyt. Lapsia on pidettävä asianmukaisesti silmällä, jotta he eivät pääse leikkimään tuotteella.

VAROITUS

Joillain alueilla vallitsee säädöksiä, jotka rajoittavat tämän tuotteen käyttöä. Pyydä paikallisilta viranomaisilta neuvoa.

KOULUTUS

- Lue ohjeet huolella. Opi käyttämään kaikkia ohjaimia ja laitetta asianmukaisesti.
- Älä anna lasten tai käyttöohjeita tuntemattomien ihmisten käyttää laitetta. Paikalliset säädökset saattavat asettaa rajastuksia käyttäjän iälle.
- Pidä sivulliset, lapset ja lemmikit 15 metrin etäisyydellä työalueesta. Sammuta tuote, jos alueelle tulee joku.
- Älä käytä sahaa, jos olet väsynyt, sairas tai huumeiden, alkoholin tai lääkkeiden vaikutuksen alainen.

- Muista, että ruohonleikkurin käyttäjä on vastuussa vahingoista ja vaaroista, jotka hän aiheuttaa muille ihmisille ja heidän omaisuuksilleen

VALMISTELUT

- Käytä tuotetta käyttäessäsi täysisiä suojalaseja ja kuulosuojaimia. Suojakypärää on käytettävä alueilla, joissa on putoavien kappaleiden vaara.
- Kuulosuojaimet voivat rajoittaa käyttäjän kykyä kuulla varoitussääniä. Kiinnitä erityistä huomiota mahdollisiin vaaratekijöihin työalueella ja sen ympärillä.
- Käytä paksuja pitkiä housuja, saappaita ja käsineitä. Älä käytä löysiä vaatteita, shortseja tai minkäänlaisia koruja tai kulje paljasjaloin.
- Sido pitkät hiukset hartioiden yläpuolelle, jotta ne eivät pääse tarttumaan liikkuviin osiin.
- Tarkista ennen käyttöä ja aina iskun jälkeen, että laitteessa ei ole vioittuneita osia. Valtuutetun huoltopisteen on korjattava tai vaihdettava viallinen kytkin tai muu vahingoittunut tai kulunut osa asianmukaisesti.
- Tarkista, että leikkuupää on asennettu asianmukaisesti ja tukevasti.
- Älä koskaan käytä tuotetta ilman, että kaikki suojukset, hihnat, ohjauslevyt ja kädensijat on kiinnitetty tukevasti.
- Huomioi ympäristöä, missä työskentelet. Pidä työalue vapaana johdoista, kepeistä, kivistä ja roskista, jotka saattavat sinkoutua leikkurin osuessa niihin.

AKKUKÄYTTÖISEN TYÖKALUN KÄYTTÖ JA HOITO

- Käytä lataukseen ainoastaan valmistajan suosittelemaa laturia. Yhden tyyppiselle akulle sopivan laturin käyttö toisenlaisen akun kanssa voi olla vaarallista.
- Käytä sähkötyökalua ainoastaan sitä varten suunniteltujen akkujen kanssa. Muiden akkujen käyttö voi johtaa loukkaantumiseen ja tulipaloon.
- Kun akkua ei käytetä, pidä se erillään metalliesineistä, kuten paperiliittimistä, kolikoista, avaimista, nauloista, ruuveista ja muista pienistä metalliesineistä, jotka voivat yhdistää akun navat. Akun napojen oikosulkeminen voi aiheuttaa palovammoja ja tulipaloon.
- Jos akkua käsitellään väärin, siitä voi vuotaa nestettä; älä kosketa sitä. Jos kosketat sitä vahingossa, huuhtelee se vedellä. Jos nestettä pääsee silmiin, hakeudu lisäksi lääkärin hoitoon. Akusta vuotanut neste voi ärsyttää ihoa ja aiheuttaa palovammoja.

AKKUKÄYTTÖISEN RUOHOTRIMMERIN TURVALLISUUSVAROITUKSET

- Älä koskaan salli lasten tai ihmisten, joiden fyysiset tai henkiset kyvyt tai aistit ovat heikentyneet tai joilta puuttuu kokemusta tai tietämystä, tai näitä ohjeita tuntemattomien käyttää tuotetta.
- Käytä tuotetta päivänvalossa tai hyvässä keinovalossa.
- Älä käytä laitetta märässä ruohikossa.
- Pidä tukeva asento ja tasapaino aina ja varmista, että asento on vakaa rinteissä.
- Älä kävele takaperin tuotetta käyttäessäsi. Kävele, älä koskaan juokse.



- Pidä päälisävaruste vyötärön tason alapuolella.
- Älä käytä tuotetta koskaan, mikäli suojukset ovat vaurioituneet tai puuttuvat.
- Älä koskaan asenna metallista varasiimaa.
- Pidä kädet ja jalat hyvin kaukana terästä koko ajan, varsinkin konetta käynnistäessä.
- Ole varovainen, leikkuuosien pyöriminen jatkuu sen jälkeen, kun moottori on sammutettu.
- Varo leikkuusiiman sinkoamia kappaleita. Siivoa työalueelta roskat, kuten pienet kivet, sora ja muut vieraskappaleet, ennen käytön aloittamista. Leikkuulaitteeseen voi tarttua johtoja tai lankoja.
- Liikkuvien osien kanssa kosketuksiin joutumiseen liittyvän tapaturmavaaran välttämiseksi laite on aina sammutettava, akkupakkaus poistettava ja molempien annettava jäähtyä. Varmista, että kaikki liikkuvat osat ovat pysähtyneet täysin:
 - ennen huoltoa
 - ennen tukoksen poistamista
 - ennen tuotteen tarkastusta, puhdistusta ja huoltoa
 - ennen lisävarusteiden vaihtamista
 - vieraaseen esineeseen osumisen jälkeen
 - kun jätät tuotteen valvomatta
 - aina huollon aikana
 - Jos tuote alkaa tärinästä epänormaalisti
- Käytä tuotetta käyttäessäsi täysiä suojalaseja ja kuulosuojaimia. Suojakypärää on käytettävä alueilla, joissa on putoavien kappaleiden vaara.
- Kuulosuojaimet voivat rajoittaa käyttäjän kykyä kuulla varoitussääniä. Kiinnitä erityistä huomiota mahdollisiin vaaratekijöihin työalueella ja sen ympärillä.
- Käytä paksuja pitkiä housuja, saappaita ja käsineitä. Älä käytä löysiä vaatteita, shortseja tai minkäänlaisia koruja tai kulje paljasjaloin.
- Sido pitkät hiukset hartioiden yläpuolelle, jotta ne eivät pääse tarttumaan liikkuviin osiin.
- Turvalaitteen alapuolella oleva pieni terä katkaisee uuden esille tulevan siiman oikeaan pituuteen turvallisen ja optimaalisen toiminnan takaamiseksi. Terä on hyvin terävä. Varo koskemasta terään, erityisesti puhdistaussasi laitetta.
- Pidä aina huoli siitä, että tuuletusaukoissa ei ole roskaa.
- Tarkista ennen käyttöä ja aina iskun jälkeen, että laitteessa ei ole vioittuneita osia. Valtuutetun huoltopisteen on korjattava tai vaihdettava viallinen kytkin tai muu vahingoittunut tai kulunut osa asianmukaisesti.
- Tarkista, että leikkuupää on asennettu asianmukaisesti ja tukevasti.
- Varmista, että kaikki suojukset, ohjauslevyt ja kädensijat on kiinnitetty tukevasti.
- Älä muokkaa tuotetta millään tapaa. Se voi lisätä omaa ja muiden tapaturmavaaraa.
- Käytä ainoastaan valmistajan tuottamaa siimaa. Älä käytä muita leikkuuvälineitä.

- Katkaise laitteesta virta välittömästi onnettomuuden tai toimintahäiriön sattuessa. Älä käytä laitetta ennen kuin se on perusteellisesti tutkittu valtuutetussa huoltoliikkeessä.

VAROITUS

Varmista ennen jokaista käyttökertaa, että katkaisuterä on oikeassa asennossa ja turvallisesti kiinni.

MUITA AKUN TURVALLISUUSVAROITUKSIA

VAROITUS

Jotta vältetään lyhytsulun aiheuttama tulipalon, loukkaantumisen tai tuotteen vahingoittumisen vaara, älä koskaan upota työkalua, vaihtoakkaa tai latauslaitetta nesteeseen ja huolehdi siitä, ettei mitään nesteitä pääse tunkeutumaan laitteiden tai akkujen sisään. Syövyttävät tai sähköä johtavat nesteet, kuten suolavesi, tietyt kemikaalit ja lalkaisuaineet tai valkaisuaineita sisältävät tuotteet voivat aiheuttaa lyhytsulun.

KULJETUS JA VARASTOITAESSA

- Sammuta laite, poista akkupakkaus ja anna laitteen jäähtyä ennen sen varastointia tai kuljetusta.
- Puhdista laitteesta kaikki vieraat materiaalit.
- Älä varastoi äläkä kuljeta laitetta akun ollessa paikallaan. Poista akkupakkaus ja varmista sen turvallisuus erikseen. Varastoi laite viileään, kuivaan ja hyvin tuuletettuun paikkaan, jossa lapset eivät pääse siihen käsiksi. Pidä tuote erillään syövyttävistä aineista, kuten puutarhakemikaaleista ja jäänestosuolasta. Älä säilytä laitetta ulkona.
- Kiinnitä tuote kuljetettaessa siten, että se ei pääse liikkumaan tai kaatumaan, jotta vältytään loukkaantumisilta ja vaurioilta.

LITIUMAKKIJEN KULJETTAMINEN

Kuljeta akkuja paikallisten ja kansallisten ehtojen ja säädösten mukaisesti. Noudata kaikkia pakkaamista ja nimeämistä koskevia erikoissäädöksiä, kun kolmas osapuoli kuljettaa akkuja.

Varmista, että mikään akku ei kosketa muita akkuja tai johtavaa materiaalia kuljetuksen aikana suojaamalla paljaat navat eristävillä, johtamattomilla korkeilla tai teipillä. Älä kuljeta akkuja, jotka ovat halkeilleet tai vuotavat. Kysy välityksirytykseltä lisäneuvoja.

HUOLTO

VAROITUS

Käytä ainoastaan alkuperäisiä valmistajan tuottamia varaosia, lisälaitteita ja lisävarusteita. Tämän noudattamatta jättäminen voi johtaa loukkaantumiseen ja huonoon tulokseen ja voi mitätöidä takuun.



VAROITUS

Huolto kaippaa suurta huolellisuutta ja hyvää työkalun tuntemusta: Se on annettava pätevän tekniikon tehtäväksi. Teetä huollot ainoastaan valtuutetussa huoltoliikkeessä. Käytä huollossa ainoastaan alkuperäisiä valmistajan tuottamia varaosia.

- Kytke virta pois ja irrota akku ennen kuin teet mitään puhdistus- tai huoltotoimenpidettä.
- Sinulla on lupa suorittaa ainoastaan tässä käsikirjassa kuvattuja säätöjä ja korjauksia. Pyydä apua valtuutetusta huollosta muiden korjaus- tai neuvontatarpeiden tapauksessa.
- Käytä vaihtosiimana ainoastaan nailonsiimaa, jonka läpimitta vastaa tämän käsikirjan teknisten tietojen taulukkoa.
- Kun pidennät siimaa, palauta laite aina normaaliin käyttöasentoon ennen sen käynnistystä.
- Puhdista tuote aina käytön jälkeen pehmeällä ja kuivalla liinalla. Valtuutetun huoltopisteen on korjattava tai vaihdettava vioittuneet osat asianmukaisesti.
- Tarkista kaikkien muttereiden, pulltien ja ruuvien kireys ennen jokaista käyttökertaa ja säännöllisin aikavälein laitteen turvallisuuden takaamiseksi. Valtuutetun huoltopisteen on korjattava tai vaihdettava vioittuneet osat asianmukaisesti.
- Vie tuote valtuutettuun huoltoon vaurioituneiden ja lukukelvottomien kyttien vaihtamiseksi.

KÄYTTÖÖN LIITTYVÄT RISKIT

Vaikka tuotetta käytettäisiin ohjeiden mukaisesti, ei ole mahdollista täysin eliminoida tiettyjä käyttöön liittyviä riskitekijöitä. Käytössä voi aiheutua seuraavia vaaroja, ja käyttäjän tulee kiinnittää erityistä huomiota niiden välttämiseen:

- Tärinän aiheuttama vamma
 - Pitele tuotetta aina kahvoista ja rajoita työaikaa sekä altistumista.
- Melun aiheuttama vamma
 - Käytä suojalaseja ja rajoita altistumista.
- Lentävien roskien aiheuttamat vammat
 - Käytä aina suojalaseja.

RISKIEN VÄHENTÄMINEN

Raporttien mukaan käsikäyttöisten laitteiden tärinä voi joidenkin kohdalla myötävaikuttaa Raynaud's Syndromen (Raynaudin oireen) ilmenemiseen. Oireita ovat pistely, turtuus ja sormien kalpeneminen, yleensä kylmässä ilmassa. Perinnölliset tekijät, kylmyys ja kosteus, ruokavalio, tupakointi sekä työtavat voivat kaikki myötävaikuttaa näiden oireiden ilmenemiseen. Käyttäjä voi ehkäistä tärinän aiheuttamia vaikutuksia seuraavasti:

- Pidä itsesi lämpimänä kylmällä säällä. Käytä tuotteen käytön aikana käsineitä, jotta kätesi ja ranteesi pysyvät lämpöisinä. Raporttien mukaan kylmä ilma on tärkeä tekijä Raynaud's Syndromen (Raunaudin oireiden) ilmenemisessä.

- Harjoita kunkin käyttöjakson jälkeen liikuntaa, jotta verenkierto lisääntyy.
- Pidä työn aikana säännöllisesti taukoja. Rajoita päivittäisen tärinän määrää.

Jos mitään yllä mainittuja oireita ilmenee, lopeta heti laitteen käyttö ja kerro oireista lääkärille.

VAROITUS

Laitteen pitkittynyt käyttö voi aiheuttaa tai vaikeuttaa vammoja. Kun käytät mitä tahansa laitetta pitkiä aikoja, muista pitää säännöllisiä taukoja.

TUNNE TUOTTEESI

Katso sivu 109.

Osat

1. Akkuliitin
2. Takakädensija
3. Lukitusliipaisin
4. Nopeussäätöliipaisin
5. Laturi
6. Latauskaapeli
7. Akku
8. Akun salpapainike
9. Kelan kansi
10. Kela
11. Leikkuusiima
12. Siiman katkaisuterä
13. Ruuhonohjain
14. Alavarsi
15. Etukädensija

TUOTTEESSA OLEVAT SYMBOLIT



Kaikki ohjeet on luettava ja ymmärrettävä ennen tuotteen käyttöä. Noudata varoituksia ja turvallisuusohjeita.



Käytä silmäsuojaimia



Käytä kuulosuojaimia



Käytä tätä tuotetta käyttäessäsi luisumattomia turvajalkineita.



Älä käytä tuotteessa metalliteriä.



Älä altista konetta sateelle tai kosteudelle.



Varo sinkoutuneita ja muita lentäviä esineitä. Pidä kaikki sivulliset vähintään 15 metrin päässä toiminta-alueelta – erityisesti lapset ja lemmikit.



Pidä kädet kaukana teristä.



Pidä kädet kaukana teristä.



Lue ohjeet huolellisesti ennen laitteen käynnistämistä.



Taattu äänenteho on 92 dB.



Käytöstä poistettavia sähkölaitteita ei pidä hävittää talousjätteiden mukana. Ne on mahdollisuuksien mukaan pantava kiertoon. Kierrätysohjeita antavat kunnan viranomaiset ja vähittäiskauppiat.



Tämä työkalu on sen EU-maan kaikkien sääntömääräisten standardien mukainen, josta se on ostettu.



EurAsian-vaatimustenmukaisuusmerkki.



Ukrainalainen säädöstenmukaisuusmerkintä

TÄMÄN KÄSIKIRJAN SYMBOLIT



Osat ja lisävarusteet on hankittava erikseen



Huom



Varoitus

Seuraavien merkien tarkoitus on selittää, miten vakava riski tuotteeseen liittyy.

⚠ VAARA

Ilmaisee välitöntä vaaratilannetta, joka ellei sitä vältetä, johtaa kuolemaan tai vakavaan loukkaantumiseen.

⚠ VAROITUS

Ilmaisee potentiaalisen vaaratilanteen, joka ellei sitä vältetä, johtaa kuolemaan tai vakavaan loukkaantumiseen.

⚠ HUOMAUTUS

Ilmaisee potentiaalisen vaaratilanteen, joka ellei sitä vältetä, saattaa johtaa pienempään tai keskivaikkeaan loukkaantumiseen.

HUOMAUTUS

Ilman turvallisuusvaroitusymbolia

Ilmoittaa tilanteesta, jossa omaisuutta saattaa vaurioitua.

Sikkerhet, ytelse og pålitelighet har hatt topp prioritet under konstruksjonen av denne trådløse snortrimmeren.

TILTENKT BRUK

Den trådløse snortrimmeren skal bare brukes av voksne som har lest og forstått instruksjonene og advarslene i denne håndboken, og som kan anses som ansvarlig for sine handlinger.

Produktet er kun tiltenkt til utendørs bruk på et godt ventilert sted. Av sikkerhetshensyn må produktet betjenes på forsvarlig vis med to hender.

Produktet, som er montert med snortrimmerhode (og egnet vern), er beregnet til kutting av langt gress, løkugress og lignende vegetasjon ved eller rundt bakkenivå. Kutteplanet skal være omtrent parallelt med jordoverflaten ved trimming.

Produktet må ikke brukes til klipping av hekker, busker eller annen vegetasjon der kniven ikke er parallell med bakken. Den skal ikke brukes til noe annet formål

GENERELLE SIKKERHETSADVARSLER

ADVARSEL

Les alle sikkerhetsadvarslene og alle instruksjonene. Å unnlate å følge advarslene og instruksjonene kan føre til elektrisk støt, brann og alvorlig personskade.

ADVARSEL

Når produktet brukes må sikkerhetsreglene følges. Les disse instruksjonene før du tar i bruk produktet for din egen sikkerhet og sikkerheten til personer som befinner seg i nærheten. Ta godt vare på instruksjonene for framtidig referanse!

ADVARSEL

Dette produktet er ikke ment å bli brukt av barn eller personer med nedsatte fysiske, mentale eller sensoriske evner. Barn må ha riktig tilsyn for å sikre at de ikke leker med produktet.

ADVARSEL

Noen regioner har bestemmelser som begrenser bruk av dette produktet. Spør de lokale myndigheter for råd.

OPPLÆRING

- Les instruksjonsmanualen nøye. Gjør deg kjent med alle kontrollene og korrekt bruk av produktet.
- Ikke tillat at barn eller personer som ikke er kjent med brukermanualen bruke produktet. Lokale forskrifter fastlegger brukerens minstealder.
- Hold tilskuere, barn og kjæledyr 15 m unna arbeidsområde. Stopp produktet når noen kommer inn på området hvor produktet brukes.
- Ikke bruk sagen når du er trøtt, syk eller påvirket av stoffer, alkohol eller medisiner.

- Husk at operatøren eller brukeren er ansvarlig for uhell og farer som andre personer og deres eiendom får påført.

KLARGJØRING

- Ha på deg passende vernebriller og hørselvern når du bruker produktet. Hvis du jobber i områder der det er fare for fallende objekter, må du bruke hjelm.
- Hørselvern kan hindre operatøren i å høre varselslyder. Vær spesielt oppmerksom på mulige farer rundt deg og innenfor arbeidsområdet.
- Bruk tette langbukser, støvler og hansker. Ikke bruk løstsittende klær, kortbukser, smykker av alle slag og ikke gå barbert.
- Sørg for at langt hår ikke når lenger ned en til skuldrene for å hindre at det kan fanges opp av roterende deler.
- Før bruk og etter hvert slag, sjekk for skadede deler. En defekt bryter eller annen del som er skadet eller slitt skal repareres adekvat eller skiftes ut av et autorisert serviceverksted.
- Påse at kutteutstyret er satt på riktig og festet godt.
- Ikke bruk produktet dersom ikke alle vern, avvisere og håndtak er på plass og forsvarlig festet.
- Vurder omgivelsene du skal jobbe i. Hold arbeidsområde fri for ledninger, pinner, steiner og annet avfall som kan sprette unna dersom kutteren kommer borti det.

BATTERIPRODUKTER - BRUK OG STELL

- Lad bare med ladere som er spesifisert av produsenten. En lader som passer til en type batteripakke kan skape risiko for brann dersom den brukes til en annen type batteripakke.
- Bruk batteriprodukter kun med spesielt tiltenkte batteripakker. Bruk av andre batteripakker kan føre til risiko for skade og brann.
- Når batteripakken ikke er i bruk, hold den vekk fra metallgjenstander som binders, mynter, nøkler, spiker, skruer og annet som kan forbinde de to terminalene med hverandre. Kortslutning av batteriterminalene kan føre til brenning eller brann.
- Dersom batteriet misbrukes kan det slippe ut væske, unngå hudkontakt med væsken. Hvis du får kontakt med væsken fra batteriet, skyll med rikelige mengder vann. Hvis væsken får kontakt med øynene må det søkes medisinsk hjelp. Væske som kommer ut av batteriet kan føre til iritasjon eller brannskår.

SIKKERHETSADVARSLER FOR KABELFRI LINJETRIMMER

- Du må aldri la barn, personer med redusert fysisk, sensorisk eller mental kapasitet eller mangel på erfaring og kunnskap eller personer som ikke kjenner disse instruksjonene, bruke produktet.
- Bruk produktet i dagslys eller under godt kunstig lys.
- Unngå å bruke maskinen i vått gress.
- Hold godt fotfeste og balanse til enhver tid og se til å ha godt fotfeste i skråninger.
- Ikke gå baklengs når du bruker produktet. Gå, du må aldri løpe mens du arbeider med maskinen.



- Hold hodefestet under hoftenivå.
- Bruk aldri produktet med skadede verneinnretninger eller uten verneinnretninger på plass.
- Du må ikke bruke metalltråd ved skifting av kutteetråd.
- Hold hender og føtter til enhver tid unna kutteenheten, spesielt når du skrur motoren på.
- Pass på, kuttebladene fortsetter å rotere etter motoren er slått av.
- Vær oppmerksom på at kutteenheten kan slenge opp gjenstander. Fjern avfall som småstein, grus og andre fremmedlegemer fra arbeidsområde før du begynner med jobben. Ledninger eller snorer kan surre seg inn i kutteenheten.
- Slå alltid av produktet, ta ut batteriet og la begge disse kjøles av for å redusere risikoen for personskade som skyldes kontakt med bevegelige deler. Påse at alle bevegelige deler har stoppet helt:
 - før betjening
 - før rengjøring av en blokkering
 - før kontroll, rensing og arbeider på produktet
 - før endring av tilbehør
 - etter at en fremmed gjenstand er truffet
 - å la produktet stå uten tilsyn
 - når vedlikehold utføres
 - hvis produktet starter å vibrere unormalt
- Ha på deg passende vernebriller og hørselvern når du bruker produktet. Hvis du jobber i områder der det er fare for fallende objekter, må du bruke hjelm.
- Hørselvern kan hindre operatøren i å høre varselslyder. Vær spesielt oppmerksom på mulige farer rundt deg og innenfor arbeidsområdet.
- Bruk tette langbukser, støvler og hansker. Ikke bruk løstsittende klær, kortbukser, smykker av alle slag og ikke gå barbert.
- Sørg for at langt hår ikke når lenger ned en til skuldrene for å hindre at det kan fanges opp av roterende deler.
- Det lille bladet som er montert til sikkerhetsvernet er designet til å trimme den nye forlengede ledningen til riktig lengde for sikker og optimal ytelse. Bladet er svært skarpt. Ikke berør bladet, spesielt ved rengjøring av produktet.
- Sørg alltid for at avfall ikke tetter ventilasjonsspaltene.
- Før bruk og etter hvert slag, sjekk for skadede deler. En defekt bryter eller annen del som er skadet eller slitt skal repareres adekvat eller skiftes ut av et autorisert serviceverksted.
- Påse at kutteutstyret er satt på riktig og festet godt.
- Påse at alle deksler, stropper, avvisere og håndtak er korrekt og trygt montert.
- Ikke endre produktet på noen måte. Dette kan øke faren for skade for deg eller andre.
- Bruk kun produsentens påfyllingstråd. Ikke bruk andre kutte tillegg.
- Slå umiddelbart av og fjern batteripakken i tilfelle en ulykke eller svikt. Ikke bruk redskapen igjen før den er nøye kontrollert av et autorisert servicesenter.

⚠ ADVARSEL

Sikre at linjens kutteskivebeskytter er riktig posisjonert og sikret før hver bruk.

EKSTRA SIKKERHETSINSTRUKSER FOR BATTERI

⚠ ADVARSEL

For å unngå fare for en brann forårsaket av en kortslutning, personskader eller skader på produktet, må det forhindres at batteripakken eller laderen dypes i væsker. Det må også sørges for at ingen væsker kan trenge inn i apparatene eller batteriene. Korroderende og ledende væsker som saltvann, visse kjemikalier og blekemidler eller produkt som inneholder blekemidler kan forårsake en kortslutning.

TRANSPORT OG LAGRING

- Slå av produktet, ta ut batteripakken og la det kjøles av før lagring eller transport.
- Fjern alle fremmedelementer fra produktet.
- Ikke lagre eller transporter produktet med monterte batterier. Fjern batteripakken og sikre den separat. Lagres på et kjølig, tørt og godt ventilert sted som er utilgjengelig for barn. Hold avstand til korroderende midler som havelkemikalier og avisingssalt. Produktet skal ikke oppbevares utendørs.
- Ved transport må produktet sikres mot å komme i bevegelse eller falle for å unngå skade på personer eller produktet.

TRANSPORTERE LITIUM-BATTERIER

Transporter batterier i henhold til lokale og nasjonale lover og forskrifter. Følg alle spesialkrav med hensyn til emballering og merking når batterier transporteres av en tredjepart.

Påse at ingen batterier kan komme i kontakt med andre batterier eller ledende materialer under transporten ved å beskytte åpne kontakter med isolasjon, ikkeledende lokk eller tape. Ikke transporter batterier som er sprukne eller som lekket. Kontakt speditøren for å få ytterligere råd.

VEDLIKEHOLD

⚠ ADVARSEL

Bruk kun produsentens originale reservedeler, tilleggsutstyr og påsatser. Dersom dette ikke følges, kan det forårsake personskader, dårlig funksjon og kan annullere garantien din.

⚠ ADVARSEL

Service krever meget stor forsiktighet og kunnskap og bør utføres kun av kvalifisert teknisk personale. Få utført service på produktet kun av et autorisert servicesenter. For service av maskinen, bruk kun produsentens originale reservedeler.



- Slå av og fjern batteriet før du rengjør eller utfører vedlikehold på produktet.
- Du kan bare foreta justeringer og reparasjoner som er beskrevet i denne brukermanualen. For andre typer reparasjoner eller råd anbefales det å kontakte et autorisert servicesenter.
- For å skifte tråd, bruk kun nylonfibertråd med diameteren spesifisert i tabellen i denne håndboken.
- Etter at du har forlenget kuttetråden, må du alltid først snu produktet til vanlig arbeidsstilling før du starter det.
- Etter hver bruk, rens produktet med en myk tørr klut. Enhver del som er skadet må repareres eller skiftes ut på fagmessig måte ved et autorisert serviceverksted.
- Kontroller alle løse muttere, bolter og skruer før du bruker enheten. Sjekk ofte at disse er tilstrekkelig tilstrammet, slik at du er sikret et trygt arbeidsmiljø. Enhver del som er skadet må repareres eller skiftes ut på fagmessig måte ved et autorisert serviceverksted.
- Bring produktet til et autorisert servicesenter for utskifting av skadede eller uleselige etiketter.

GJENVÆRENDE RISIKO

Selv om utstyret brukes som beskrevet er det ikke mulig å unngå enhver gjenværende risiko. Følgende faresituasjoner kan oppstå ved bruk, og operatøren må legge spesielt vekt på å unngå følgende:

- Personskade på grunn av vibrasjon
 - Hold produktet i angitte håndtak og begrens arbeidstid og eksponering.
- Skader skapt av støy.
 - Bruk hørselvern og begrens eksponeringen.
- Skade forårsaket av luftbårne gjenstander.
 - Bruk til enhver tid øyebeskyttelse.

FAREREDUKSJON

Det foreligger rapporter om at vibrasjoner fra håndholdt verktøy for enkelte personer kan bidra til en tilstand som kalles Raynauds Syndrome. Symptomene kan omfatte følelsesløshet og gjøre fingrene bleke, vanligvis synlig ved eksponering til lave temperaturer. Arvelige faktorer, eksponering mot lave temperaturer og fuktighet, diett, røyking og arbeidspraksis blir alle ansett for å kunne bidra til å utvikle disse symptomene. Brukeren kan iverksette tiltak for mulig å redusere virkningene av vibrasjonene:

- Hold kroppen din varm i kaldt vær. Bruk hansker og hold hender og håndledd varme ved bruk av produktet. Det er rapportert at kaldt vær er en viktig faktor som bidrar til Raynauds Syndrome.
- Etter hver arbeidsperiode bør det utføres øvelser for å øke blodsirkulasjonen.
- Ta ofte pauser fra arbeidet som utføres. Begrens mengden av eksponering pr. dag.

Hvis du opplever noen av symptomene på denne tilstanden må du øyeblikkelig avbryte arbeidet og oppsøke en lege med disse symptomene.

⚠ ADVARSEL

Hvis man bruker verktøyet for lenge av gangen, kan det føre til eller forverre allerede eksisterende personskade. Når du bruker et verktøy over en lenger tidsperiode, husk å ta regelmessige pauser.

KJENN PRODUKTET DITT

Se side 109.

Deler

1. Kobling til batteriet
2. Bakre håndtak
3. Låsetrigger
4. Utløser for variabel hastighet
5. Lader
6. Laderkabel
7. Batteri
8. Utløserknapp for batteri
9. Spoledeksel
10. Spole
11. Klippesnor
12. Snorskjærekniv
13. Gressutkaster
14. Nedre stang
15. Fremre håndtak

SYMBOLER PÅ PRODUKTET



Les og forstå alle instruksjoner før du betjener produktet. Følg alle advarsler og sikkerhetsanvisninger.



Bruk øyebeskyttelse



Bruk hørselsvern



Anvend glislikt fottøy ved bruk av dette produktet.



Ikke bruk metallblader på produktet.



Ikke utsette for regn eller fuktige forhold.



utkastedePass opp for gjenstander som slynges ut eller flyr i luften. Hold tilskuere, spesielt barn og dyr, på god avstand, det vil si minst 15 meter fra arbeidsområdet



Hold hendene vekke fra kniven.



Hold hendene vekke fra kniven.



Vennligst les instruksjonene nøye før du starter maskinen.



Garantert lydeffektnivå er 92 dB.



Avfall fra elektriske produkter skal ikke kastes sammen med husholdningsavfall. Vennligst resirkulervedeksisterende avfallsbehandlingssted. Undersøk hos dine lokale myndigheter eller forhandler for råd om resirkulering.



Dette verktøyet overholder samtlige standarder i det EU-landet det er kjøpt i.



EurAsian Konformitetstegn.



Ukrainsk merke for konformitet

SYMBOLER I DENNE MANUALEN



Deler eller tilbehør som er tilgjengelige separat



Merk



Advarsel

EN
FR
DE
ES
IT
NL
PT
DA
SV
FI
NO
RU
PL
CS
HU
RO
LV
LT
ET
HR
SL
SK
BG
UK
TR

Følgende signalord og meninger har til hensikt å forklare graden av risiko forbundet med bruken av dette produktet.

FARE

Indikerer en øyeblikkelig farlig situasjon, som, hvis ikke unngås, kan resultere i død eller alvorlig personskade.

ADVARSEL

Indikerer en potensiell farlig situasjon, som, hvis ikke unngås, kan resultere i død eller alvorlig personskade.

FORSIKTIGHETSREGL

Indikerer en potensiell farlig situasjon, som, hvis ikke unngås, kan resultere i mindre eller moderat personskade.

FORSIKTIGHETSREGL

Uten sikkerhetsvarselsymbol

Indikerer en situasjon som kan føre til skade på eiendom.



В основе конструкции вашего беспроводного лесочного триммера лежат принципы безопасности, продуктивности и надежности.

НАЗНАЧЕНИЕ

Беспроводной лесочный триммер предназначен для использования только взрослыми, способными нести ответственность за свои действия, после прочтения и изучения инструкций и предостережений в настоящем руководстве.

Продукт предназначен только для использования на открытом воздухе в хорошо проветриваемом месте. В целях безопасности инструментом необходимо управлять двумя руками.

При установке лесочной триммерной головки (и подходящего защитного кожуха) устройство может использоваться для покоса длинной травы, мягкого сорняка и аналогичной растительности на уровне земли. В процессе тримминга плоскость резания должна быть приблизительно параллельной поверхности земли.

Данное устройство не должно использоваться для обрезки или подравнивания живой изгороди, кустов или другой растительности, при работе с которой плоскость резания не параллельна поверхности земли.

Не используйте устройство для каких-либо иных целей.

ОБЩИЕ ПРАВИЛА БЕЗОПАСНОСТИ

⚠ ОСТОРОЖНО

Прочтите все предупреждения и инструкции по технике безопасности. Несоблюдение приводимых ниже предупреждений и инструкций может привести к поражению электрическим током, возгоранию или тяжким телесным повреждениям.

⚠ ОСТОРОЖНО

При использовании устройства необходимо соблюдать правила техники безопасности. В целях собственной безопасности и безопасности наблюдающих лиц перед использованием устройства прочитайте приведенные в данном руководстве инструкции. Сохраняйте эту инструкцию для дальнейшего использования.

⚠ ОСТОРОЖНО

Данное устройство не предназначено для использования детьми или лицами с ограниченными физическими, психическими или сенсорными возможностями. Не допускайте того, чтобы дети играли с этим устройством.

⚠ ОСТОРОЖНО

В некоторых регионах существуют правила, ограничивающие использование этого продукта. Проконсультируйтесь с местными органами власти.

БУЧЕНИЕ

- Внимательно прочтите данные инструкции. Ознакомьтесь с элементами управления и правилами эксплуатации изделия.
- Никогда не позволяйте детям или людям, незнакомым с этими инструкциями, использовать данное изделие. Местные инструкции могут ограничить возраст оператора.
- Не допускайте прохожих, детей и домашних животных ближе чем на 15 м от рабочей зоны. Остановите устройство, если кто-то войдет в рабочую зону.
- Воздержитесь от использования изделия, если вы ощущаете усталость или болезненное состояние, а также под воздействием наркотиков, алкоголя или медицинских препаратов.
- Иметь в виду, что оператор или пользователь ответственны за несчастные случаи или опасности, встречающиеся другим людям или их собственности.

ПОДГОТОВКА

- Используйте надежные приспособления для защиты глаз и органов слуха при работе с продуктом. При работе в зоне, где есть риск падения предметов, необходимо носить защитную каску.
- Средства защиты органов слуха ограничивают возможность оператора слышать предупредительные звуковые сигналы. Обращайте особое внимание на потенциальные опасности вокруг и внутри рабочей зоны.
- Работайте в толстых длинных брюках, сапогах и перчатках. Не допускается ношение слишком свободной одежды, коротких брюк, ювелирных изделий. Запрещается работать босиком.
- Соберите длинные волосы выше плеч, чтобы предотвратить их попадание в движущиеся части.
- Перед использованием устройства или после него убедитесь, что в нем нет поврежденных деталей. Для ремонта или замены неисправного переключателя или любой иной детали следует обращаться в авторизованный сервисный центр.
- Убедитесь, что режущая насадка правильно установлена и надежно закреплена.
- Никогда не эксплуатируйте изделие, если все защитные приспособления, отражатели и ручки не будут правильно и надежно закреплены.
- Рассмотрите окружающую среду, в которой Вы работаете. Держите рабочее место свободным от проводов, палок, камней и мусора, которые при столкновении с режущим устройством могут вылететь с большой скоростью.

ЭКСПЛУАТАЦИЯ УСТРОЙСТВА С АККУМУЛЯТОРНЫМ ПИТАНИЕМ И УХОД ЗА НИМ

- Зарядку выполняйте только с использованием зарядного устройства, указанного изготовителем. Зарядное устройство, подходящее к одному типу аккумуляторных батарей, может создать опасность возгорания при использовании с аккумуляторными батареями другого типа.





- Используйте электрические устройства только со специально предназначенными для них аккумуляторными батареями. Использование аккумуляторных батарей другого типа может привести к телесным повреждениям или возгоранию.
- Если аккумуляторная батарея не используется, храните ее отдельно от других металлических предметов, например канцелярских скрепок, монет, ключей, гвоздей, винтов и других мелких металлических предметов, которые могут привести к замыканию контактов батареи. Замыкание контактов батареи может вызвать ожоги или привести к возгоранию.
- При ненормальных условиях из батареи может вытечь жидкость, избегайте контакта с ней. Если этого избежать не удалось, смойте жидкость водой. Если жидкость попала в глаза, после их промывания обратитесь за медицинской помощью. Жидкость, вытекающая из батареи, может вызвать раздражение или ожог.

ТРЕБОВАНИЯ БЕЗОПАСНОСТИ ПРИ ИСПОЛЬЗОВАНИИ БЕСПРОВОДНОГО ЛЕСОЧНОГО ТРИММЕРА

- Никогда не позволяйте детям или людям с ограниченными физическими, сенсорными или умственными способностями, а также людям, незнакомым с этими инструкциями, использовать это устройство.
- Используйте изделие при дневном свете или хорошем искусственном освещении.
- Не используйте инструмент для подрезания влажной травы.
- Необходимо сохранять устойчивость и баланс и соблюдать осторожность при спуске.
- Запрещается пятиться при эксплуатации продукта. Передвигайтесь шагом, не бегайте.
- Удерживайте насадку ниже уровня талии.
- Запрещается использовать изделие с поврежденными защитными кожухами или без них.
- Никогда не закрепляйте металлическую линию замены.
- Держите руки и ноги далеко от режущих средств во всех случаях и особенно при включении двигателя.
- Будьте осторожны, режущие детали продолжают вращаться после выключения двигателя.
- Остерегайтесь объектов, выбрасываемых режущими приспособлениями. Удалите мусор, такой как мелкие камни, гравий и другие посторонние предметы, из рабочей зоны до начала работы. Провода или шнуры могут запутаться в режущих деталях.
- Чтобы снизить риск получения травмы при контакте с подвижными деталями, всегда выключайте изделие, извлекайте аккумуляторный блок и дождитесь охлаждения обоих узлов. Убедитесь в полной остановке всех движущихся деталей:
 - перед техническим обслуживанием

- перед устранением засора
- перед проверкой, чисткой и техобслуживанием продукта;
- перед заменой принадлежностей
- после удара о посторонний предмет
- оставляя продукт без присмотра
- при выполнении технического обслуживания
- если продукт начинает вибрировать
- Используйте надежные приспособления для защиты глаз и органов слуха при работе с продуктом. При работе в зоне, где есть риск падения предметов, необходимо носить защитную каску.
- Средства защиты органов слуха ограничивают возможность оператора слышать предупредительные звуковые сигналы. Обращайте особое внимание на потенциальные опасности вокруг и внутри рабочей зоны.
- Работайте в толстых длинных брюках, сапогах и перчатках. Не допускается ношение слишком свободной одежды, коротких брюк, ювелирных изделий. Запрещается работать босиком.
- Соберите длинные волосы выше плеч, чтобы предотвратить их попадание в движущиеся части.
- Маленький нож, установленный на лезвии, предназначен для обрезки лески для безопасной и более эффективной работы. Лезвие очень острое. Не касайтесь лезвия, в частности, при очистке изделия.
- Всегда проверяйте устройство на отсутствие грязи в вентиляционных отверстиях.
- Перед использованием устройства или после него убедитесь, что в нем нет поврежденных деталей. Для ремонта или замены неисправного переключателя или любой иной детали следует обращаться в авторизованный сервисный центр.
- Убедитесь, что режущая насадка правильно установлена и надежно закреплена.
- Проверьте правильность установки и надежность крепления всех защитных устройств, отражателей и ручек.
- Изменение конструкции изделия не допускается. Это может повысить риск получения травмы оператором и другими людьми.
- Для замены режущей струны используйте только оригинальные струны от производителя. Использование других режущих насадок не допускается.
- В случае аварии или поломки незамедлительно выключите устройство и извлеките аккумуляторный блок. Не используйте устройство, обратитесь в гарантийное обслуживание для дальнейшей проверки.

⚠ ОСТОРОЖНО

Перед каждым использованием проверьте правильность и надежность установки ножа-ограничителя длины лески.



ТРЕБОВАНИЯ БЕЗОПАСНОСТИ ПРИ ИСПОЛЬЗОВАНИИ ДОПОЛНИТЕЛЬНОЙ АККУМУЛЯТОРНОЙ БАТАРЕИ

⚠ ОСТОРОЖНО

Для предотвращения опасности пожара в результате короткого замыкания, травм и повреждения изделия не опускайте инструмент, сменный аккумулятор или зарядное устройство в жидкости и не допускайте попадания жидкостей внутрь устройств или аккумуляторов. Коррозионные и проводящие жидкости, такие как соленый раствор, определенные химикаты, отбеливающие средства или содержащие их продукты, могут привести к короткому замыканию.

ТРАНСПОРТИРОВКА И ХРАНЕНИЕ

- Перед размещением на хранение или транспортировкой выключите изделие, извлеките аккумуляторный блок и дождитесь остывания изделия.
- Очистите устройство от всех посторонних материалов.
- Хранение и транспортировка изделия с установленными элементами питания не допускается. Извлеките аккумуляторный блок и надежно закрепите его. Храните его в прохладном, сухом, хорошо проветриваемом и недоступном для детей месте. Оберегайте от веществ, вызывающих коррозию, например, садовых удобрений или соли для удаления льда. Запрещается хранить изделие на улице.
- Для транспортировки закрепите изделие так, чтобы оно не могло перемещаться или упасть во избежание травмирования персонала или повреждения изделия.

ПЕРЕВОЗКА ЛИТIEВЫХ БАТАРЕЙ

Транспортировку батареи осуществляйте в соответствии местными и национальными нормами и положениями. Следуйте всем особым требованиям к упаковке и маркировке при транспортировке батареи в сторонние организации.

Проверьте, чтобы батарея не соприкасалась с другими батареями или токопроводящими материалами во время транспортировки, защитив открытые контакты с помощью изоляции, непроводящих колпачков или пленки. Не транспортируйте поврежденные или протекающие батареи. За консультацией обращайтесь в транспортно-экспедиционную компанию.

ОБСЛУЖИВАНИЕ

⚠ ОСТОРОЖНО

Используйте только оригинальные запчасти, аксессуары и насадки от производителя. Невыполнение этого требования может привести к травме, к снижению производительности и к аннулированию гарантии.

⚠ ОСТОРОЖНО

Обслуживание требует чрезвычайной заботы и знания и должно быть выполнено только квалифицированным техником обслуживания. Обратитесь в авторизованный сервисный центр. При выполнении технического обслуживания используйте только оригинальные запчасти от производителя.

- Перед проведением технического обслуживания или очистки выключите устройство и извлеките аккумуляторный блок.
- Вы можете выполнять работы по регулировке и обслуживанию, которые описаны в данном руководстве. Для проведения других ремонтных работ или за получением рекомендаций обращайтесь в авторизованный сервисный центр.
- Для замены струны используйте только нейлоновую струну, диаметр которой выбирается в соответствии с таблицей технических характеристик настоящего руководства.
- После удлинения режущей струны всегда возвращайте устройство в обычное рабочее положение перед запуском.
- После каждого использования протирайте изделие мягкой сухой тканью. В случае повреждения какой-либо детали необходимо обратиться в авторизованный сервисный центр для выполнения надлежащего ремонта или замены.
- Перед каждым использованием и через определенные промежутки времени проверяйте затяжку всех гаек, болтов и винтов, чтобы убедиться, что инструмент находится в безопасном для эксплуатации состоянии. В случае повреждения какой-либо детали необходимо обратиться в авторизованный сервисный центр для выполнения надлежащего ремонта или замены.
- Обратитесь в авторизованный сервисный центр для замены поврежденных или нечитаемых этикеток изделия.

БУДЬТЕ ВСЕГДА ОСТОРОЖНЫ

Даже когда изделие использует согласно инструкциям, невозможно полностью устранить факторы риска. Следующие опасные факторы могут возникнуть в ходе использования, и оператор должен обращать особое внимание, чтобы избежать следующих опасностей:

- Травмы, вызываемые вибрацией
 - Держите изделие только за предназначенные для этого ручки и соблюдайте рабочий режим.
- Травма, вызванная шумом.
 - Носите устройства защиты слуха и ограничивайте продолжительность шумового воздействия
- Травмы, вызванные разлетающимися частицами.
 - Обязательно носите устройства для защиты глаз.

СНИЖЕНИЕ РИСКА

Считается, что вибрация ручного инструмента может привести к проявлению у отдельных лиц так называемой болезни Рейно (Raynaud's Syndrome). К симптомам могут относиться покалывание, онемение и побеление пальцев (как при переохлаждении). Считают, что наследственные факторы, охлаждение и влажность, диета, курение и практический опыт способствуют развитию этих симптомов. Ниже приводятся меры, которые может принять оператор для снижения воздействия вибрации:

- Одевайтесь теплее в холодную погоду. При эксплуатации изделия носите перчатки, чтобы сохранить руки и запястья в тепле. Считается, что холодная погода является основным фактором, способствующим возникновению болезни Рейно (Raynaud's Syndrome).
- После каждого этапа работы выполните упражнения для усиления кровообращения.
- Чаще делайте перерывы в работе. Сократите длительность ежедневного пребывания на открытом воздухе.

При появлении каких-либо из указанных симптомов сразу же прекратите работу и обратитесь по их поводу к врачу.

⚠ ОСТОРОЖНО

Слишком продолжительное использование инструмента может привести к травме. При использовании инструмента в течение длительного времени делайте регулярные перерывы.

ИЗУЧИТЕ УСТРОЙСТВО

См. стр. 109.

Детали

1. Отделение для аккумулятора
2. Задняя ручка
3. Курок блокировки
4. Курок для регулировки скорости
5. Зарядное устройство
6. Кабель зарядного устройства
7. Аккумулятор
8. Кнопка фиксатора батареи
9. Крышка шпильки
10. Шпилька
11. Режущая струна
12. Резак для обрезания струны
13. Отражатель травы
14. Нижний вал
15. Передняя ручка

УСЛОВНЫЕ ОБОЗНАЧЕНИЯ НА ПРОДУКТЕ



Перед началом работы с изделием внимательно ознакомьтесь со всеми инструкциями. Соблюдайте технику безопасности.



Используйте средства защиты органов зрения



Следует надевать средства защиты органов слуха



При работе с данным изделием надевайте нескользящую защитную обувь.



Не используйте металлические лезвия при обслуживании устройства.



Не подвергайте инструмент воздействию дождя и не используйте в условиях повышенной влажности.



Помните об опасности, которую представляют собой отбрасываемые устройством или вылетающие изпод него предметы. Не допускайте приближения посторонних лиц, особенно детей и домашних животных к рабочей зоне ближе чем на 15 м



Не касайтесь режущих полотен.



Не касайтесь режущих полотен.



Перед использованием прибора внимательно ознакомьтесь с данной инструкцией.



Гарантируемый уровень звуковой мощности составляет 92 дБ.



Отработанная электротехническая продукция должна уничтожаться вместе с бытовыми отходами. Утилизируйте, если имеется специальное техническое оборудование. По вопросам утилизации проконсультируйтесь с местным органом власти или предприятием розничной торговли.



Narzędzie to spełnia wymogi wszystkich norm regulacyjnych kraju UE, w którym było ono zakupione.



Znak zgodności EurAsian



Український знак zgodności

Следующие сигнальные слова и значения предназначены для того, чтобы объяснить уровень риска, связанного с этим изделием:

⚠ ОПАСНО

Указывает неизбежно опасную ситуацию, которая, если не избежать, кончится смертельным или серьезным ущербом.

⚠ ОСТОРОЖНО

Указывает потенциально опасную ситуацию, которая, если не избежать, может кончиться смертельным или серьезным ущербом.

⚠ ПРЕДОСТЕРЕЖЕНИЕ

Указывает потенциально опасную ситуацию, которая, если не избежать, может кончиться малым или уменьшенным ущербом.

ПРЕДОСТЕРЕЖЕНИЕ

Употребляется без предупреждающего знака
Указывает на ситуацию, которая может привести к повреждению имущества.

УСЛОВНЫЕ ОБОЗНАЧЕНИЯ В ДАННОМ РУКОВОДСТВЕ



Детали или принадлежности, приобретаемые отдельно



Примечание



Осторожно

Транспортировка:

Категорически не допускается падение и любые механические воздействия на упаковку при транспортировке.

При разгрузке/погрузке не допускается использование любого вида техники, работающей по принципу зажима упаковки.

Хранение:

Необходимо хранить в сухом месте.

Необходимо хранить вдали от источников повышенных температур и воздействия солнечных лучей.

При хранении необходимо избегать резкого перепада температур.

Хранение без упаковки не допускается.

Срок службы изделия:

Срок службы изделия составляет 5 лет.

Не рекомендуется к эксплуатации по истечении 5 лет хранения с даты изготовления без предварительной проверки.

Дата изготовления (код даты) отштампован на поверхности корпуса изделия.

Пример:

W1109.Y2015, где Y2015 - год изготовления

W1109.– неделя изготовления

Определить месяц изготовления можно согласно приведенной ниже таблице, на примере 2015 года.

Обратите внимание! Количество недель в месяце различается от года в год.

Месяц	Январь	Февраль	Март	Апрель	Май	Июнь	Июль	Август	Сентябрь	Октябрь	Ноябрь	Декабрь	Год
Неделя	01	05	09	14	18	22	27	31	36	40	44	49	2015
	02	06	10	15	19	23	28	32	37	41	45	50	
	03	07	11	16	20	24	29	33	38	42	46	51	
	04	08	12	17	21	25	30	34	39	43	47	52	
	05	09	13	18	22	26	31	35	40	44	48	53	
			14			27							



Najwyższymi priorytetami w trakcie projektowania zakupionej przez Państwa akumulatorowej podkaszarki żyłkowej były bezpieczeństwo, wydajność i niezawodność.

PRZEZNACZENIE URZĄDZENIA

Akumulatorową podkaszarkę żyłkową powinny obsługiwać odpowiedzialne za swoje czyny osoby dorosłe, które przeczytały i zrozumiały instrukcje i ostrzeżenia zawarte w niniejszym podręczniku.

Produkt jest przeznaczony do użytku wyłącznie na zewnątrz pomieszczeń w dobrze wentylowanym miejscu. Ze względów bezpieczeństwa produkt należy obsługiwać dwiema rękami.

Po wyposażeniu w głowicę z żyłką (oraz odpowiednią osłonę) produkt przeznaczony jest do cięcia długiej trawy, niezdrewniałych chwastów i podobnej roślinności na poziomie gruntu lub powyżej poziomu gruntu. W trakcie przycinania płaszczyzna cięcia powinna być w przybliżeniu równoległa do powierzchni gruntu.

Urządzenia nie należy używać do docinania żywoplotów, krzewów lub innych roślin w przypadkach, gdy płaszczyzna koszenia nie jest równoległa do płaszczyzny gruntu.

Nie używać do żadnych innych celów.

OGÓLNE OSTRZEŻENIA DOTYCZĄCE BEZPIECZEŃSTWA PRACY

⚠ OSTRZEŻENIE

Zapoznaj się ze wszystkimi zasadami bezpieczeństwa i instrukcjami. Niezastosowanie się do ostrzeżeń i instrukcji może spowodować porażenie prądem, pożar oraz/lub poważne obrażenia ciała.

⚠ OSTRZEŻENIE

Podczas używania tego urządzenia należy przestrzegać odpowiednich zasad bezpieczeństwa. Aby zapewnić bezpieczeństwo sobie i osobom postronnym, przed przystąpieniem do użytkowania urządzenia należy zapoznać się z niniejszą instrukcją. Należy zachować te instrukcje do wykorzystania w przyszłości.

⚠ OSTRZEŻENIE

Produkt ten nie jest przeznaczony do użytkowania przez dzieci lub osoby o ograniczonych zdolnościach fizycznych, umysłowych lub sensorycznych. Należy dopilnować, aby dzieci nie bawiły się produktem.

⚠ OSTRZEŻENIE

W niektórych regionach obowiązują przepisy ograniczające możliwość eksploatacji produktu. Należy skontaktować się z lokalnymi urzędami i zasięgnąć informacji.

SZKOLENIE

- Przeczytać uważnie wszystkie instrukcje. Należy zapoznać się z przyrządami sterowania oraz zasadami prawidłowej obsługi produktu.
- Nigdy nie wolno pozwalać obsługiwać tego produktu dzieciom ani osobom nieznającym tych instrukcji. Lokalne przepisy mogą ograniczać dopuszczalny wiek operatora.
- Osoby postronne, dzieci i zwierzęta muszą znajdować się w odległości przynajmniej 15 metrów od miejsca pracy. Jeśli na obszarze znajduje się inna osoba, należy zatrzymać produkt.
- Nie należy przystępować do pracy, będąc zmęczonym, chorym lub pod wpływem narkotyków, alkoholu albo leków.
- Należy pamiętać, że operator lub użytkownik jest odpowiedzialny za spowodowanie wypadku lub zagrożenia bezpieczeństwa osób i mienia.

PRZYGOTOWANIE

- Należy nosić pełne zabezpieczenie oczu i uszu podczas obsługi produktu. W przypadku pracy w miejscu, gdzie występuje ryzyko spadających przedmiotów, należy nosić kask.
- Środki ochrony słuchu mogą ograniczać zdolność operatora do usłyszenia dźwięków ostrzegawczych. Należy zwracać szczególną uwagę na potencjalne zagrożenia na obszarze pracy.
- Założyć grube, długie spodnie, wysokie buty i rękawice. Nie należy nosić luźnego ubrania, krótkich spodenek, biżuterii oraz nie chodzić boso.
- Długie włosy należy związać, aby znajdowały się powyżej ramion i aby nie zostały pochwycone przez maszynę.
- Przed użyciem oraz po jakimkolwiek uderzeniu należy sprawdzić, czy żadna część nie jest uszkodzona. Uszkodzony przełącznik lub inna uszkodzona lub zużyta część muszą być odpowiednio naprawione lub wymienione przez autoryzowany punkt serwisowy.
- Należy upewnić się, że głowica tnąca jest prawidłowo zainstalowana i dobrze zamocowana.
- Nigdy nie wolno używać produktu, jeśli jakkolwiek osłona, deflektor lub uchwyt nie są prawidłowo i dobrze zamocowane.
- Należy uwzględnić warunki otoczenia, w którym mają być wykonywane prace. Na miejscu pracy nie mogą znajdować się druty, przewody, patyki, kamienie ani gruz, ponieważ w przypadku uderzenia przez nóż mogą zostać odrzucone.

UŻYTKOWANIE I OBSŁUGA AKUMULATORA

- Ładować wyłącznie za pomocą ładowarki dostarczonej przez producenta. Ładowarka przeznaczona do jednego modelu akumulatora może być przyczyną pożaru w przypadku zastosowania do ładowania akumulatora innego typu.
- Używać narzędzi ręcznych z napędem elektrycznym wyłącznie z akumulatorami przeznaczonymi do tych urządzeń. Używanie innych akumulatorów wiąże się ze zwiększonym ryzykiem pożaru lub obrażeń ciała.





- Gdy akumulator nie jest używany, przechowywać go z dala od innych metalowych przedmiotów, np. spinaczy, monet, kluczy, gwoździ, śrub lub innych małych metalowych przedmiotów, które mogłyby utworzyć połączenie między stykami, prowadząc do zwarcia. Zwarcie styków akumulatora może spowodować oparzenia lub pożar.
- W przypadku niewłaściwej obsługi może dojść do wycieku płynu z akumulatora, należy unikać kontaktu z tym płynem. Miejsce ewentualnego kontaktu przepłukać wodą. W przypadku, gdy płyn dostanie się do oczu, po przemyciu zwrócić się o pomoc do lekarza. Płyn wyciekający z akumulatora może powodować podrażnienia i oparzenia.

BEZPRZEWODOWA PRZYCINARKA ŻYŁKOWA — OSTRZEŻENIA DOTYCZĄCE BEZPIECZEŃSTWA

- Nie wolno pozwalać używać tego produktu dzieciom lub osobom o ograniczonych zdolnościach fizycznych, sensorycznych lub umysłowych ani osobom, które nie przeczytały tych instrukcji.
- Produkt należy używać przy świetle dziennym lub przy dobrym oświetleniu sztucznym.
- Unikać pracy urządzenia w mokrej trawie.
- Należy zapewnić zawsze właściwe podparcie stóp, zwłaszcza na stokach.
- Podczas używania produktu nie należy chodzić do tyłu. Podczas pracy należy chodzić, nie wolno biegać.
- Utrzymywać przystawkę z głowicą tnącą poniżej poziomu talii operatora.
- Nigdy nie używać produktu z uszkodzonymi osłonami lub bez osłon.
- Nie wolno zastępować żyłki linką metalową.
- Trzymać dłonie i stopy z dala od elementów tnących przez cały czas pracy, a szczególnie podczas uruchamiania silnika.
- Należy pamiętać, że po wyłączeniu silnika element tnący wiruje.
- Należy zwrócić uwagę na obiekty odrzucane przez elementy tnące. Przed rozpoczęciem pracy należy usunąć małe kamienie, gruz oraz inne obce obiekty z miejsca pracy. Druty lub sznurki mogą zostać pochwycone przez przyrząd tnący.
- Aby ograniczyć ryzyko obrażeń związanych z kontaktem z częściami w ruchu, zawsze wyłączać produkt, wyjmować akumulator i poczekać, aż zarówno produkt, jak i akumulator ostygną. Upewnić się, że wszystkie elementy ruchome zostały całkowicie zatrzymane:
 - przed serwisowaniem
 - przed usunięciem zatoru
 - przed sprawdzeniem, czyszczeniem i użytkowaniem produktu,
 - przed wymianą akcesoriów
 - po uderzeniu innym przedmiotem
 - pozostawiając produkt bez nadzoru
 - zawsze w trakcie wykonywania konserwacji
 - jeśli produkt zacznie wibrować w nietypowy sposób
- Należy nosić pełne zabezpieczenie oczu i uszu podczas obsługi produktu. W przypadku pracy w miejscu, gdzie

występuje ryzyko spadających przedmiotów, należy nosić kask.

- Środki ochrony słuchu mogą ograniczać zdolność operatora do usłyszenia dźwięków ostrzegawczych. Należy zwracać szczególną uwagę na potencjalne zagrożenia na obszarze pracy.
- Założyć grube, długie spodnie, wysokie buty i rękawice. Nie należy nosić luźnego ubrania, krótkich spodenek, biżuterii oraz nie chodzić boso.
- Długie włosy należy związać, aby znajdowały się powyżej ramion i aby nie zostały pochwycone przez maszynę.
- Zadaniem małego nożyka przymocowanego do osłony zabezpieczającej jest przycinanie wysuniętej żyłki na właściwą długość w celu zapewnienia bezpiecznego, optymalnego działania. Ostrze jest bardzo ostre. Nie dotykać ostrza — zwłaszcza w trakcie czyszczenia produktu.
- Otwory wentylacyjne należy utrzymywać w stanie wolnym od zanieczyszczeń.
- Przed użyciem oraz po jakimkolwiek uderzeniu należy sprawdzić, czy żadna część nie jest uszkodzona. Uszkodzony przełącznik lub inna uszkodzona lub zużyta część muszą być odpowiednio naprawione lub wymienione przez autoryzowany punkt serwisowy.
- Należy upewnić się, że głowica tnąca jest prawidłowo zainstalowana i dobrze zamocowana.
- Upewnić się, że wszystkie elementy zabezpieczające, osłony i uchwyty są prawidłowo i bezpiecznie zamocowane.
- Nie modyfikować produktu w jakikolwiek sposób. Może to skutkować zwiększeniem ryzyka obrażeń ciała użytkownika i innych osób.
- Należy stosować wyłącznie żyłkę tnącą producenta. Nie używaj żadnych innych akcesoriów tnących.
- W razie wypadku lub awarii natychmiast wyłączyć i wymontować akumulator. Nie należy włączać produktu ponownie, dopóki nie zostanie w pełni sprawdzony przez autoryzowane centrum serwisowe.

⚠ OSTRZEŻENIE

Przed każdym użyciem upewnić się, czy ostrze do odcinania żyłki w osłonie jest prawidłowo ustawione i przymocowane.

AKUMULATOR — DODATKOWE OSTRZEŻENIA DOTYCZĄCE BEZPIECZEŃSTWA

⚠ OSTRZEŻENIE

Aby uniknąć niebezpieczeństwa pożaru, obrażeń lub uszkodzeń produktu na skutek zwarcia, nie wolno zanurzać narzędzia, akumulatora wymiennego ani ładowarki w cieczach i należy zatroszczyć się o to, aby do urządzeń i akumulatorów nie dostały się żadne cieczce. Zwarcie spowodować mogą korodujące lub przewodzące cieczce, takie jak woda morska, określone chemikalia i wybielacze lub produkty zawierające wybielacze.



TRANSPORT I PRZECHOWYWANIE

- Przed odłożeniem bądź rozpoczęciem transportu lub składowania wymontować akumulator i poczekać, aż produkt ostygnie.
- Usunąć z produktu wszelkie ciała obce i zanieczyszczenia.
- Nie przechowywać ani nie transportować produktu z włożonymi akumulatorami. Wyjąć akumulator i zamocować go osobno. Należy przechowywać urządzenie w chłodnym, suchym i dobrze wentylowanym miejscu, które jest niedostępne dla dzieci. Nie przechowywać urządzenia wraz z materiałami korozyjnymi, takimi jak ogrodowe substancje chemiczne lub sól odmróżająca. Nie przechowywać produktu poza pomieszczeniami.
- W przypadku transportu produktu należy zabezpieczyć go przed przemieszczaniem się lub upadkiem, aby nie dopuścić do obrażeń ciała lub uszkodzenia urządzenia.

TRANSPORTOWANIE AKUMULATORÓW LITOWYCH

Akumulatory należy transportować zgodnie z lokalnymi i krajowymi przepisami i regulacjami. Należy postępować zgodnie z wszystkimi specjalnymi wymaganiami dotyczącymi pakowania i etykietowania akumulatorów podczas transportu przez stronę trzecią.

Upewnij się, że żadne akumulatory nie zetkną się z innymi akumulatorami lub materiałami przewodzącymi podczas transportu; w tym celu należy zabezpieczyć odkryte złącza nieprzewodzącymi nakładkami izolacyjnymi lub taśmą izolacyjną. Nie należy transportować pękniętych ani nieszczelnych akumulatorów. Szczegółowe porady można uzyskać w firmie spedycyjnej.

KONSERWACJA

⚠ OSTRZEŻENIE

Należy stosować wyłącznie oryginalne części zamienne, akcesoria oraz przystawki producenta. W przeciwnym razie może dojść do obrażeń ciała, niskiej wydajności oraz do unieważnienia gwarancji.

⚠ OSTRZEŻENIE

Serwisowanie wymaga wyjątkowej staranności i wiedzy. Może być wykonywane wyłącznie przez wykwalifikowany personel serwisowy. Serwisowanie należy powierzać wyłącznie autoryzowanemu serwisowi. Do serwisowania należy stosować wyłącznie oryginalne części zamienne producenta.

- Przed przystąpieniem do konserwacji lub czyszczenia należy zawsze wyłączyć urządzenie i wyjąć akumulator.
- Użytkownik może jedynie wykonywać czynności regulacyjne i naprawcze opisane w tej instrukcji obsługi. W przypadku innych napraw lub pytań należy zwrócić się o pomoc do autoryzowanego punktu serwisowego.
- Do wymiany należy stosować wyłącznie nylonowej ciągłej żyłki o średnicy podanej w tabeli specyfikacji w tej instrukcji.

- Po wyciągnięciu nowej żyłki tnącej, zawsze przed włączeniem urządzenia należy ustawić je w normalnym położeniu roboczym.
- Po każdym użyciu należy wyczyścić produkt miękką, suchą szmatką. Każda uszkodzona część musi zostać naprawiona lub wymieniona w autoryzowanym serwisie.
- Często (w tym przed każdym użyciem) sprawdzać wszystkie nakrętki, śruby i wkręty pod kątem należytego dokręcenia, aby mieć pewność, że produkt jest bezpieczny. Każda uszkodzona część musi zostać naprawiona lub wymieniona w autoryzowanym serwisie.
- Jeśli etykiety są uszkodzone lub nieczytelne, należy zwrócić produkt do punktu serwisowego w celu wymiany etykiet.

RYZYKO ZWIĄZANE Z UŻYTKOWANIEM

Nawet jeśli produkt jest używany zgodnie z zaleceniami, nadal nie jest możliwe wyeliminowanie określonych czynników ryzyka. Następujące zagrożenia mogą wystąpić podczas używania urządzenia i operator powinien zwracać szczególną uwagę na poniższe punkty:

- Urazy ciała spowodowane przez wibracje
 - Należy trzymać produkt za odpowiednie uchwyty oraz stosować się do zaleceń dotyczących czasu pracy i narażenia.
- Urazy ciała spowodowane hałasem
 - Należy nosić środki ochrony uszu oraz ograniczyć poziom narażenia
- Obrażenia ciała spowodowane wyrzucanymi odpadkami.
 - Stosować przez cały czas środki ochrony oczu.

OGRANICZENIE RYZYKA

Badania dowodzą, że wibracje powodowane przez narzędzia ręczne mogą wywoływać u niektórych osób objawy syndromu Raynauda. Typowe objawy to mrowienie, drętwienie i blednięcie palców, widoczne zwykle po wystawieniu na działanie zimna. Uważa się, że czynniki dziedziczne, wystawienie na działanie zimna i wilgoci, dieta, palenie papierosów i przyjęte zwyczaje przyczyniają się do rozwoju tych objawów. Istnieją działania, które może podjąć operator maszyny w celu ograniczenia skutków emisji drgań:

- Zadbaj w niskich temperaturach o ciepłotę własnego ciała, zakładając odpowiednie ubranie. Podczas obsługi produktu należy nosić rękawice, aby dłonie i nadgarstki były ciepłe. Wiadomo, że niskie temperatury są główną przyczyną powstawania objawu Raynauda.
- Podczas przerw w pracy należy wykonywać ćwiczenia poprawiające krążenie krwi..
- Podczas pracy robić częste przerwy. Ograniczyć ekspozycję w ciągu dnia.

W razie doświadczenia dowolnego z wymienionych objawów, należy niezwłocznie zaprzestać użytkowania tego urządzenia i skontaktować się z lekarzem.

⚠ OSTRZEŻENIE

Długotrwałe użytkowanie narzędzia może spowodować obrażenia ciała lub nasilić dolegliwości zdrowotne. W przypadku używania narzędzia przed dłuższy czas należy pamiętać o regularnych przerwach.

ZAPOZNAJ SIĘ ZE SWOIM PRODUKTEM

Patrz str. 109.

Części

1. Podłączenie do akumulatora
2. Tylny uchwyt
3. Spust blokady
4. Spust regulacji prędkości
5. Ładowarka
6. Przewód ładowarki
7. Akumulator
8. Przycisk zatrasku akumulatora
9. Osłona szpuli
10. Szpula
11. Linia cięcia
12. Ostrze do przycinania żyłki
13. Deflektor trawy
14. Dolny wałek
15. Przedni uchwyt

SYMBOLE UMIESZCZONE NA PRODUKCIE



Przed przystąpieniem do obsługi produktu należy przeczytać ze zrozumieniem wszystkie instrukcje. Należy przestrzegać wszystkich ostrzeżeń i instrukcji dotyczących bezpieczeństwa.



Zakładać środki ochrony wzroku



Nosić środki ochrony słuchu



Podczas eksploatacji produktu należy nosić obuwie ochronne z antypoślizgową podeszwą.



Nie należy montować w produkcie metalowych ostrzy.



Nie wystawiać urządzenia na działanie deszczu ani nie używać w miejscach o dużej wilgotności.



Uwaga na odrzucane przedmioty. Wszystkie osoby postronne, a szczególnie dzieci i zwierzęta, muszą znajdować się w odległości przynajmniej 15 metrów od miejsca pracy.



Nie zbliżać rąk do ostrzy.



Nie zbliżać rąk do ostrzy.



Przed uruchomieniem urządzenia prosimy uważnie przeczytać instrukcję.



Maksymalny poziom natężenia hałasu wynosi 92 dB.



Zużyte produkty elektryczne nie powinny być utylizowane z odpadami domowymi. Prosimy poddawać recyklingowi w odpowiednich miejscach. Informacje o właściwych metodach recyklingu można uzyskać u władz lokalnych lub sprzedawcy.



Narzędzie to spełnia wymogi wszystkich norm reglamentacji kraju UE, w którym było ono zakupione.



Znak zgodności EurAsian



Ukraiński znak zgodności

Następujące wyrażenia i znaczenia wyrażają poziom zagrożenia związanego z tym produktem:

⚠ NIEBEZPIECZEŃSTWO

Wskazuje na realne zagrożenie, które może spowodować śmierć lub poważne zranienie, jeżeli się nie uniknie tego niebezpieczeństwa.

⚠ OSTRZEŻENIE

Wskazuje na potencjalne zagrożenie, które może spowodować śmierć lub poważne zranienie, jeżeli się nie uniknie tego niebezpieczeństwa.

⚠ UWAGA

Wskazuje na potencjalne zagrożenie, które może spowodować mniejsze lub bardziej poważne zranienie, jeżeli się nie uniknie tego niebezpieczeństwa.

UWAGA

Bez symbolu ostrzeżenia
Sytuacja, która może grozić uszkodzeniem mienia.

SYMBOLE STOSOWANE W NINIEJSZEJ INSTRUKCJI



Części lub akcesoria sprzedawane osobno



Uwaga



Ostrzeżenie!



Při návrhu této bateriové strunové sekačky byl kladen obzvláštní důraz na bezpečnost, provozní vlastnosti a spolehlivost.

ZAMÝŠLENÉ POUŽITÍ

Tato bateriová strunová sekačka je určena k používání dospělými osobami, které četly a chápou pokyny a upozornění v této příručce, a mohou být považovány za osoby zodpovědné za své jednání.

Tento výrobek je určen pouze pro venkovní používání v době větrané oblasti. Z bezpečnostních důvodů je nutné s produktem řádně manipulovat oběma rukama.

Při osazení strunovou vyžínací hlavou (a příslušným ochranným krytem) je sekačka určena k vyžínání dlouhé trávy, dužnatého plevele a podobné vegetace těsně nad zemí. Rovina vyžínání by měla být během provozu přibližně souběžná s povrchem země.

Výrobek se nesmí používat pro stříhání či úpravu živého plotu, keřů nebo jiné vegetace, kde rovina řezu není rovnoběžně s plochou země.

Přístroj nepoužívejte ji k jiným účelům.

VŠEOBECNÁ BEZPEČNOSTNÍ VAROVÁNÍ

⚠ VAROVÁNÍ

Přečtěte si všechny pokyny a bezpečnostní varování. Opomenutí dodržování varování a pokynů uvedených níže může způsobit úraz elektrinou požár a/ nebo vážná poranění osob.

⚠ VAROVÁNÍ

Při používání výrobku musí být dodrženy bezpečnostní předpisy. Pro vaši vlastní bezpečnost i bezpečnost kolemjdoucích si přečtěte tento návod k obsluze. Ušchevejte si prosím bezpečnostní pokyny pro budoucí použití.

⚠ VAROVÁNÍ

Tento nástroj není určen pro používání osobami, včetně dětí, pokud jsou jejich fyzické, pohybové nebo mentální schopnosti sníženy. Dohlédněte, aby si děti se spotřebičem nehrály.

⚠ VAROVÁNÍ

Místní předpisy mohou omezovat použití výrobku. Ověřte si u svého orgánu místní správy toto nařízení.

ZAŠKOLENÍ

- Návod si pečlivě přečtěte. Seznamte se všemi ovládacími a řádným používáním výrobku.
- Nenechte děti nebo osoby neseznámené s těmito pokyny pracovat s výrobkem. Místní předpisy mohou omezovat dobu obsluhy.
- Všechny přihlízející, zvláště děti a zvířata udržujte 15 m mimo pracovní oblasti. Zastavte výrobek, pokud někdo vstoupí do pracovního prostoru výrobku.

- Pílu nepoužívejte při únavě nebo v nemoci ani pod vlivem drog, alkoholu nebo léků.
- Uživatel nebo obsluha tohoto zahradnického nástroje je zodpovědná za nehody nebo nebezpečí způsobená na jiné osobě nebo jejich majetku.

PŘÍPRAVA

- Při práci s výrobkem používejte kompletní ochranu zraku a sluchu. Noste ochrannou helmu, kde hrozí nebezpečí pádu předmětů.
- Ochrana sluchu může omezit schopnost obsluhy slyšet varovné signály. Věnujte zvláštní pozornost na potenciálním nebezpečím kolem a uvnitř pracovní plochy.
- Noste silné dlouhé kalhoty, boty a rukavice. Nenoste volné oděvy, krátké kalhoty, jakékoli šperky; nebuďte při práci bosí.
- Dlouhé vlasy si svažte nad rameny, aby se nemohly zaplést do pohyblivých částí.
- Před prací s nástrojem a po nárazu zkontrolujte možné poškození dílů. Pokud je spínač nebo nějaká část poškozena či opotřebená, musí se řádně opravit nebo vyměnit pověřeným servisním střediskem.
- Zkontrolujte, zda je sekací doplněk řádně nainstalován a bezpečně upevněn.
- Nikdy výrobek neprovozujte, dokud nejsou všechny chrániče, vodič plechy a rukojetě řádně a bezpečně připojeny.
- Berte ohled na prostředí, ve kterém pracujete. Z pracovní oblasti odstraňujte dráty, kameny a předměty, které po styku s nástrojem mohou být odmrštěny.

POUŽITÍ A PÉČE O NÁSTROJ NA BATERIE

- Dobíjejte pouze nabíječkou určenou výrobcem. Nabíječka, která je vhodná pro jeden typ akumulátoru může způsobit nebezpečí požáru, pokud se používá s jiným bateriovým modulem.
- Elektrický nástroj používejte pouze s přesně určeným bateriovým modulem. Použití jakéhokoliv jiného akumulátoru může způsobit nebezpečí poranění a požáru.
- Pokud akumulátor nepoužíváte, uchovávejte jej mimo kovové předměty jako svorky pro papír, mince, klíče, hřebíky, šrouby nebo jiné malé kovové předměty, které mohou vytvořit propojení jednoho vývodu s druhým. Zkratování vývodů baterie může způsobit požár nebo popáleniny.
- Za nevhodných podmínek může z baterie vytékat kapalina; zabraňte kontaktu. Pokud dojde k náhodnému kontaktu, omyjte vodou. Pokud kapalina přijde do kontaktu s očima, vyhledejte lékařskou pomoc. Kapalina vytečená z baterie způsobit podráždění nebo popáleniny.

BEZPEČNOSTNÍ UPOZORNĚNÍ K AKUMULÁTOROVÉ STRUNOVÉ SEKAČCE

- Produkt není určen pro používání osobami, včetně dětí se sníženými tělesnými, smyslovými nebo duševními schopnostmi nebo s nedostatkem zkušeností a znalostí, pokud neprošli školením ohledně používání, čištění či údržby.





- Používejte ve výrobek dne nebo v dobrém umělém osvětlení.
- Vyhýbejte se práci v mokré trávě.
- Po celou dobu zaujímejte postoj a rovnováhu s pevnou oporou nohou, a to i ve svazích.
- Nechodte pospět, když výrobek používáte. Chodte, nikdy neběhejte.
- Nástavec vyžinače udržujte pod výší pasu.
- Sekačku nikdy nepoužívejte s poškozenými ochrannými kryty nebo bez nich.
- Nikdy neměňte za kovovou sekací šňůru.
- Mějte ruce i nohy vždy mimo oblast sekání, obzvláště, když zapínáte motor.
- Pozor: po vypnutí motoru se řezací prvky ještě dotáčejí!
- Vyhýbejte se při sekání odmršťování předmětů. Odstraňte z pracovní oblasti předměty jako malé kameny, šterk a další cizí předměty před započetím práce. Do žacího nástroje se mohou namotat dráty nebo struna.
- K snížení rizika úrazu v důsledku styku s pohyblivými díly výrobek vždy vypněte, vyjměte baterii a nechte oboje vychladnout. Ujistěte se, že se zastavily všechny pohyblivé díly:
 - před servisem
 - před čištěním usazenin
 - před kontrolou, čištěním nebo prací na nástroji,
 - před výměnou příslušenství
 - po nárazu na cizí předmět
 - je-li ponechán výrobek bez dozoru
 - při údržbě
 - pokud stroj začne abnormálně vibrovat
- Při práci s výrobkem používejte kompletní ochranu zraku a sluchu. Noste ochrannou helmu, kde hrozí nebezpečí pádu předmětů.
- Ochrana sluchu může omezit schopnost obsluhy slyšet varovné signály. Věnujte zvláštní pozornost na potenciálním nebezpečím kolem a uvnitř pracovní plochy.
- Noste silné dlouhé kalhoty, boty a rukavice. Nenoste volné oděvy, krátké kalhoty, jakékoli šperky; nebuďte při práci bosí.
- Dlouhé vlasy si svažte nad rameny, aby se nemohly zaplést do pohyblivých částí.
- Malá čepel umístěna v bezpečnostním krytu je určena k uřezání nově vytažené struny na správnou délku pro bezpečné použití a optimální výkon. Nůž je velmi ostrý. Nedotýkejte se nože, obzvláště během čištění vyžinače.
- Vždy zajistěte, aby ventilační otvory nebyly ničím zataraseny.
- Před prací s nástrojem a po nárazu zkontrolujte možné poškození dílů. Pokud je spínač nebo nějaká část poškozena či opotřebována, musí se řádně opravit nebo vyměnit pověřeným servisním střediskem.
- Zkontrolujte, zda je sekací doplněk řádně nainstalován a bezpečně upevněn.

- Ujistěte se, že jsou všechny ochranné kryty, vodící plechy a rukojeti správně a bezpečně nasazeny.
- Výrobek žádným způsobem neupravujte. Může dojít ke zvýšení rizika úrazu vás nebo druhých.
- Používejte pouze náhradní žací strunu od výrobce. Nepoužívejte žádné jiné sekací nástavec.
- V případě nehody nebo poruchy okamžitě zařízení vypněte a vyjměte baterii. Výrobek můžete znovu používat až po důkladné kontrole autorizovaným servisním centrem.

⚠ VAROVÁNÍ

Před každým použitím se ujistěte, že je čepel na ustřížení struny v chrániči dobře umístěna.

DOPLŇUJÍCÍ BEZPEČNOSTNÍ UPOZORNĚNÍ K BATERII

⚠ VAROVÁNÍ

Abyste zabránili nebezpečí požáru způsobeného zkratem, poraněním nebo poškozením výrobku, neponořujte nářadí, výměnnou baterii nebo nabíječku do kapalin a zajistěte, aby do zařízení a akumulátorů nevnikly žádné tekutiny. Korodující nebo vodivé kapaliny, jako je slaná voda, určité chemikálie a bělicí prostředky nebo výrobky, které obsahují bělidlo, mohou způsobit zkrat.

TRANSPORT A SKLADOVÁNÍ

- Před přenášením nebo uložením vždy vyjměte baterii a nechte foukač vychladnout.
- Odstraňte z výrobku všechny cizí materiál.
- Výrobek neskladujte ani nepřenášejte s vloženou baterií. Vyjměte baterii a zajistěte ji odděleně. Ukládejte v chladných, suchých a dobře větraných prostorech, které nejsou přístupné dětem. Udržujte produkt mimo korosivní materiály, například zahrádkářské chemikálie a rozmrazovací soli. Výrobek neskladujte venku.
- Při transportu výrobku zajistěte proti pohybům nebo pádu, abyste zabránili poranění osob nebo poškození výrobku.

TRANSPORT LITHIOVÝCH BATERÍ

Přenos baterií dle místních a národních opatření a předpisů. Dodržujte všechny zvláštní požadavky na balení a značení při transportu baterií třetí stranou.

Zajistěte, aby žádné baterie nepřišly do kontaktu s jinými bateriemi nebo vodivými materiály při transportu pomocí ochrany nekrytých kontaktů prostřednictvím izolace, nevodivých krytek či lepicích pásek. Nepřepravujte prasklé nebo baterie s unikajícím elektrolytem. Ptejte se u zásilkové společnosti na další radu.



ÚDRŽBA

⚠ VAROVÁNÍ

Používejte pouze originální příslušenství, doplňky a náhradní díly výrobce. Zanedbání může zapříčinit možné poranění, slabý výkon a může dojít ke ztrátě záruky.

⚠ VAROVÁNÍ

Údržba vyžaduje extrémní péči a znalosti a měla by být prováděna pouze kvalifikovaným servisním technikem. Výrobek nechte opravit pouze v pověřeném servisu. Při údržbě používejte pouze původní náhradní díly výrobce.

- Před údržbou nebo čištěním výrobek vypněte a vyjměte baterii.
- Můžete provádět pouze v návodu k obsluze uvedené opravy a seřízení. Pro jiné opravy nebo poradenství, požádejte o pomoc autorizované servisní středisko.
- Při výměně struny používejte pouze monofilní strunu o průměru dle tabulky technických údajů v návodu.
- Po natažení nové žací struny vždy výrobek vraťte do normální provozní polohy, než jej znovu použijete.
- Po každém použití setřete nástroj měkkým a suchým hadříkem. Jakýkoliv poškozený díl je nutné správně opravit nebo nechat vyměnit v autorizovaném servisním středisku.
- Pravidelně a před každým použitím kontrolujte, zda jsou matice, šrouby a šroubky řádně utažené, aby byl výrobek v bezpečném provozním stavu. Jakýkoliv poškozený díl je nutné správně opravit nebo nechat vyměnit v autorizovaném servisním středisku.
- Chcete-li vyměnit poškozené nebo nečitelné štítky, předejte zařízení do autorizovaného servisního střediska.

ZBYTKOVÁ RIZIKA

Dokonce, i když se výrobek provozuje jak je předepsáno, je stále nemožné zcela eliminovat veškeré zbytkové rizikové faktory. Následující nebezpečí mohou nastat při používání; vyhýbejte se:

- Poranění způsobené vibracemi
 - Držte výrobek za rukojeť určené k držení a práci provádějte po omezenou dobu.
- Zranění způsobené hlukem
 - Noste ochranu sluchu a omezte vystavení.
- Poranění způsobené létajícími kusy.
 - Vždy noste adekvátní ochranu zraku.

SNÍŽENÍ RIZIKA

Bylo zjištěno, že vibrace z ručních pracovních nástrojů mohou u některých osob přispívat ke stavu tzv. Raynaud's Syndrome (Raynaudovu syndromu). Mezi jeho příznaky patří brnění, necitlivost a zbledení prstů, patrné obvykle po pobytu v chladu. Vědci se domnívají, že k rozvinutí těchto příznaků přispívají dědičné faktory, pobyt v chladu a vlhku, strava, kouření a pracovní návyky. Uživatel může omezit

případné působení vibrací použitím vhodných opatření:

- Za chladného počasí se teple oblečte. Při práci s výrobkem si navlékněte rukavice, abyste udrželi ruce a zápěstí v teple. Bylo zjištěno, že chladné počasí je hlavním faktorem přispívajícím k Raynaud's Syndrome (Raynaudovu syndromu).
- Během práce si v pravidelných intervalech zacvičte, abyste zvýšili krevní oběh.
- Zařažujte časté pracovní přestávky. Omezte dobu práce za den.

Jakmile pocítíte některý z výše uvedených příznaků tohoto syndromu, okamžitě přerušete práci a vyhledejte lékaře.

⚠ VAROVÁNÍ

Poranění mohou být způsobena, či zhoršena, prodlouženým používáním nástroje. Když používáte jakýkoliv nástroj delší dobu, dělejte pravidelně přestávky.

POZNEJTE SVŮJ NÁSTROJ

Viz strana 109.

Součásti

1. Bateriový konektor
2. Zadní rukojeť
3. Samovypínací mechanismus
4. Spoušť regulátoru rychlosti
5. Nabíječka
6. Kabel nabíječky
7. Baterie
8. Tlačítko západky akumulátoru
9. Kryt cívky
10. Cívka
11. Žací struna
12. Řezací nůž struny
13. Kryt proti trávě
14. Spodní násada
15. Přední rukojeť

SYMBOLY NA VÝROBKU



Před používáním výrobku se obeznamte se všemi pokyny. Dbejte na všechna upozornění a dodržujte bezpečnostní pokyny.



Noste ochranu očí



Noste ochranu sluchu



Noste neklouzavou bezpečnostní obuv, když používáte tento výrobek.



Nepoužívejte na výrobku kovové nože(nůž).



Nevystavujte dešti nebo nepoužívejte ve vlhkých podmínkách.



Dávejte pozor na odmrštěné nebo odletující předměty. Všechny přihlízející, zvláště děti a zvířata udržujte ve vzdálenosti alespoň 15 m od pracovní oblasti.



Udržujte ruce mimo nože.



Udržujte ruce mimo nože.



Před spuštěním přístroje si řádně přečtěte pokyny.



Zaručená hladina akustického výkonu je 92 dB.



Odpad elektrických výrobků se nesmí likvidovat v domovním odpadu. Recyklujte prosím na sběrných místech. Ptejte se u místních úřadů nebo prodejce na postup při recyklaci.



Toto nářadí je v souladu se všemi normami a předpisy platnými v zemi EU, ve které bylo zakoupeno.



Euroasijská značka shody



Ukrajinská značka shody

VAROVÁNÍ

Bez symbolu bezpečnostní výstrahy

Určuje situaci, která může mít za následek vážné poškození.

SYMBOLY V NÁVODU



Díly nebo příslušenství jsou v prodeji samostatně



Poznámka



Varování

Následující signální slova a významy jsou vhodné pro vysvětlení úrovně nebezpečí spojených s tímto výrobkem.

NEBEZPEČÍ

Označuje bezprostředně rizikovou situaci, které je třeba předejít, jinak bude jejím následkem smrt nebo vážné zranění.

VAROVÁNÍ

Označuje možnou rizikovou situaci, které je třeba předejít, jinak jejím následkem může být smrt nebo vážné zranění.

VAROVÁNÍ

Označuje možnou rizikovou situaci, které je třeba předejít, jinak jejím následkem může být smrt nebo vážné zranění.



A vezeték nélküli szegélynyíró tervezése során elsődleges szempont volt a biztonság, a teljesítmény és a megbízhatóság.

RENDELTESSZERŰ HASZNÁLAT

A vezeték nélküli szegélynyírókat kizárólag olyan felnőttek használhatják, akik elolvasták és megértették a jelen kézikönyv utasításait és figyelmeztetéseit, és tetteikért felelősséget tudnak vállalni.

A termék csak kültéri, jól szellőztetett területen való használatra készült. Biztonsági okokból a terméket kétkézes működtetéssel megfelelő ellenőrzés alatt kell tartani.

A szegélynyíró fejjel (és a megfelelő védőburkolattal ellátott) berendezés magas fű, puhaszárú gyomok és hasonló növényzet a talajszint feletti vagy annak közelében történő vágására tervezték. A vágás során a vágási síknak kb. párhuzamosnak kell lennie a talajfelszínrel.

A termék nem használható sövények, bokrok vagy más olyan növény vágására vagy nyésésére, ahol a vágás síkja nem párhuzamos a talajfelszínrel.

Semmilyen más célra ne használja.

ÁLTALÁNOS BIZTONSÁGI FIGYELMEZTETÉSEK

FIGYELMEZTETÉS

Olvassa el az összes biztonsági figyelmeztetést és útmutatást. A figyelmeztetések és utasítások be nem tartása elektromos áramütést, tüzet és/vagy súlyos sérülést eredményezhet.

FIGYELMEZTETÉS

A termék használatakor a biztonsági szabályokat be kell tartani. A saját és mások biztonsága érdekében kérjük, olvassa el ezt az útmutatót a termék használata előtt. Tartsa meg a kézikönyvet, hátha a későbbiekben szüksége lehet rá.

FIGYELMEZTETÉS

Ezt a terméket nem használhatják gyerekek és korlátozott fizikai, érzékelési vagy mentális képességekkel rendelkező személyek. A gyerekekre oda kell figyelni, nehogy játsszanak a termékkel.

FIGYELMEZTETÉS

Egyes régiókban olyan előírások érvényesek, amelyek korlátozzák a termék használatát. További információért forduljon a helyi önkormányzatához.

GYAKORLÁS

- Figyelmesen olvassa el az utasításokat. Legyen tisztában a termék kezelőszerveivel és a helyes használatával.
- Ne hagyja, hogy gyerekek vagy a termék használatát nem ismerő felnőttek használják a terméket. A helyi előírások korlátozhatják a kezelő életkorát.

- A nézelődőket, gyerekeket és a háziállatokat tartsa 15 m távolságban a munkaterülettől. Állítsa le a terméket, ha bárki belép a területre.
- Ne használja a terméket, ha fáradt, beteg vagy drog, alkohol illetve gyógyszer hatása alatt van.
- Jegyezze meg, hogy a kezelő vagy a felhasználó felelős a más embereknek vagy tulajdonuknak okozott veszélyekért vagy balesetekért.

ELŐKÉSZÜLET

- Viseljen teljes szem- és fülvédőt a termék használata közben. Kötelező a fejtető viselete, ha olyan területen dolgozik, ahol tárgyak hullhatnak le.
- A hallásvédő meggátolhatja a kezelőt abban, hogy meghallja a figyelmeztető hangokat. Figyeljen különösen oda a potenciális veszélyekre a munkaterület körül és a munkaterületen.
- Viseljen vastag anyagból készült hosszú nadrágot, csizmát és kesztyűt. Ne vegyen fel laza ruhát, rövid nadrágot, semmilyen ékszert, illetve ne legyen mezteláb.
- Ha hosszú a haja, azt a vállvonal felett rögzítse, nehogy beakadjon valamilyen mozgó alkatrészbe.
- Használat előtt és amennyiben a gépet bármilyen behatás éri, ellenőrizze, hogy az alkatrészek nem sérültek. A hibás csatlókat vagy bármilyen más sérült vagy elhasználódott alkatrészt egy hivatalos szervizközpontban megfelelően meg kell javíttatni vagy ki kell cseréltetni.
- Bizonyosodjon meg róla, hogy a vágószerelék helyesen lett felszerelve és biztonságosan rögzítve van.
- Soha ne működtesse a terméket, amíg nincs minden védőburkolat, terelőlemez és fogantyú megfelelően felszerelve és rögzítve.
- Vizsgálja át a környezetet, ahol dolgozik. A munkaterületet tisztítsa meg a drótdaraboktól, fadaraboktól, kövektől és más hulladéktól, melyek a vágófejbe ütközve kivetődhetnek.

AKKUMULÁTOROS SZERSZÁMGÉP HASZNÁLATA ÉS KARBANTARTÁSA

- Csak a gyártó által megadott töltővel töltsze az akkumulátorokat. Egy adott akkumulátortípusúhoz való töltő egy másik típusú akkumulátorral való használata tűzveszélyes lehet.
- A szerszámokat csak a hozzájuk való akkumulátorokkal üzemeltesse. Más akkumulátorok használata tűzveszélyes lehet, és sérüléseket okozhat.
- Az akkumulátort használaton kívül tartsa távol más fém tárgytól, úgymint gemkapcsoktól, érméktől, kulcsoktól, szögektől, csavaroktól vagy más kisméretű fém tárgytól, amelyek rövidre zárhatják a két érintkezőt. Az akkumulátor érintkezőinek rövidre zárása tüzet vagy égéseket okozhat.
- Nem megfelelő körülmények esetén folyadék távozhat az akkumulátorból, kerülje az azzal való érintkezést. Ha mégis érintkezik vele, öblítse le vízzel. Ha a folyadék szembe kerül, forduljon orvoshoz. Az akkumulátorból kifolyt folyadék irritációt vagy égéseket okozhat.





A VEZETÉK NÉLKÜLI SZEGÉLYNYÍRÓ BIZTONSÁGI FIGYELMEZTETÉSEI

- Ne hagyja, hogy gyerekek, csökkent fizikai, érzékelési vagy értelmi képességgel rendelkező személyek, vagy akiknek nincs meg a tapasztalatuk és tudásuk ehhez, vagy az utasításokat nem ismerő személyek működtessék, tisztítsák vagy karbantartsák a terméket.
- Nappal vagy jó mesterséges megvilágításnál használja a terméket.
- Kerülje a gép nedves fűben való használatát.
- Mindig stabilan álljon és tartsa egyensúlyát, ez kiemelten fontos lejtős talajfelszínek esetén.
- Ne lépjen hátrafelé a termék használata közben. Gyalogoljon, ne fusson.
- Tartsa a vágófejet a derék szintje alatt.
- Soha ne használja a készüléket sérült védőburkolattal vagy védőburkolat nélkül.
- Ne szereljen fel fém csereszálát.
- A kezét és lábát minden esetben, de különösen a motor bekapcsolásakor, tar tsa távol a vágóeszközöktől.
- Vigyázat, a vágóberendezés a motor kikapcsolása után tovább forog.
- Ügyeljen a vágóeszköz által kivetett tárgyakra. A használat megkezdése előtt tisztítsa le a hulladékokat, például a kisebb köveket, kavicsot és más idegen tárgyakat a munkaterületről. A drótok és a vágószál beakadhatnak a vágóeszközbe.
- A mozgó alkatrészek megérintése miatt keletkező sérülés kockázatának csökkentésére minden esetben állítsa le a terméket, vegye ki az akkumulátort és hagyja mindkettőt lehűlni. Ellenőrizze, hogy minden mozgó rész teljesen megállt:
 - szervizelés előtt
 - az eltömődés eltávolítása előtt
 - ellenőrzés, karbantartás vagy a gépen végzett bármilyen művelet megkezdése előtt;
 - kiegészítők cseréje előtt
 - idegen objektum eltávolítása után
 - a termék felügyelet nélkül hagyása esetén
 - karbantartás végzésekor
 - ha a gép szokatlanul kezd rezegni
- Viseljen teljes szem- és fülvédőt a termék használata közben. Kötelező a fejtámasz viselete, ha olyan területen dolgozik, ahol tárgyak hullhatnak le.
- A hallásvédő meggátolhatja a kezelőt abban, hogy meghallja a figyelmeztető hangokat. Figyeljen különösen oda a potenciális veszélyekre a munkaterület körül és a munkaterületen.
- Viseljen vastag anyagból készült hosszú nadrágot, csizmát és kesztyűt. Ne vegyen fel laza ruhát, rövid nadrágot, semmilyen ékszert, illetve ne legyen mezítábl.
- Ha hosszú a haja, azt a vállvonallal felett rögzítse, nehogy beakadjon valamilyen mozgó alkatrészbe.
- A védőelemre szerelt kis penge vágja le az újonnan kihúzott szálát a megfelelő hosszra, így biztonságosan és a legkedvezőbb teljesítménnyel használható. A kés nagyon éles. Ne nyúljon a késhez, különösen a termék tisztításakor ne.

- Mindig ügyeljen rá, hogy semmi ne maradjon a szellőzőnyílásokban.
- Használat előtt és amennyiben a gépet bármilyen behatás éri, ellenőrizze, hogy az alkatrészek nem sérültek. A hibás csatlakozásokat vagy bármilyen más sérült vagy elhasználódott alkatrészt egy hivatalos szervizközpontban megfelelően meg kell javíttatni vagy ki kell cseréltetni.
- Bizonyosodjon meg róla, hogy a vágószerelék helyesen lett felszerelve és biztonságosan rögzítve van.
- Ügyeljen rá, hogy minden a védőburkolat, terelőlemez és fogantyú megfelelően fel legyen szerelve és rögzítve.
- Ne alakítsa át a terméket semmilyen módon. Ez fokozza annak veszélyét, hogy megsebzí saját magát vagy valaki másét.
- Csere esetén csak a gyártó által előírt csereszálát használja. Ne használjon semmilyen más vágó szerelvényt.
- Baleset vagy üzemzavar esetén azonnal kapcsolja ki és vegye ki az akkumulátort. Ne használja a készüléket, amíg teljesen ét nem vizsgálták egy hivatalos szervizközpont

▲ FIGYELMEZTETÉS

Használat előtt mindig gondoskodjon arról, hogy a védőelemen levő penge megfelelő helyzetben, megfelelően rögzítve legyen.

AZ AKKUMULÁTOR KIEGÉSZÍTŐ BIZTONSÁGI FIGYELMEZTETÉSEI

▲ FIGYELMEZTETÉS

A rövidzárlat általi tűz, sérülések vagy termékkárosodások veszélye elkerülésére ne merítse a szerszámot, a cserélhető akkut vagy a töltőkészüléket folyadékokba, és gondoskodjon arról, hogy ne hatoljanak folyadékok a készülékekbe és az akkukba. A korrózió hatású vagy vezetőképes folyadékok, mint pl. a sós víz, bizonyos vegyi anyagok, fehérítők vagy fehérítő tartalmú termékek, rövidzárlatot okozhatnak.

SZÁLLÍTÁS ÉS TÁROLÁS

- Tárolás vagy szállítás előtt kapcsolja ki a terméket, vegye ki az akkucsomagot és hagyja kihűlni.
- Minden idegen anyagtól tisztítsa meg a terméket.
- Ne tárolja vagy szállítsa a terméket behelyezett akkumulátorral. Vegye ki az akkumulátort, és rögzítse külön. Hűvös, száraz és jól szellőztetett, gyerekektől elzárt helyiségben tárolja. A terméket tartsa távol a korrodáló szerektől, például kerti vegyszerektől vagy a jégmentesítő sótól. Ne tárolja a terméket kültéren.
- Szállításkor rögzítse a terméket elmozdulás és leesés ellen, hogy elkerülje a sérüléseket és a termék sérülését.





LÍTIUM AKKUMULÁTOROK SZÁLLÍTÁSA

Az akkumulátorokat a helyi és nemzeti előírásokkal és szabályokkal összhangban szállítsa. Az akkumulátorok külső fél általi szállításakor kövesse a csomagolásra és a címkézésre vonatkozó speciális előírásokat.

Ügyeljen arra, hogy az akkumulátorok ne érhessenek más akkumulátorokhoz vagy vezető anyagokhoz szállítás közben; ehhez a szabadon maradt csatlakozókat védje szigetelő fedéllel vagy szalaggal. Ne szállítson repedt vagy szivárgó akkumulátorokat. További információért vegye fel a kapcsolatot a továbbítást végző céggel.

KARBANTARTÁS

▲ FIGYELMEZTETÉS

Csak a gyártó eredeti cserealkatrészeit, tartozékait és szerelékeit használja. Ennek figyelmen kívül hagyása gyenge motor teljesítményt, esetleges sérülést és a jóállás elvesztését okozhatja.

▲ FIGYELMEZTETÉS

szervizelés különös figyelmet és hozzáértést igényel, és csak szakképzett szerelő végezheti el. A terméket csak engedéllyel rendelkező szervizben javíttassa. Szervizeléskor csak eredeti, gyártó által előállított cserealkatrészeket használjon.

- Bármilyen karbantartási vagy tisztítási munka végrehajtása előtt kapcsolja ki a készüléket és vegye ki az akkusomagot.
- Ön csak a használati útmutatóban leírt beállításokat és javításokat végezheti el. További javításokért vagy tanácsért kérjen segítséget egy hivatalos szervizközpontban.
- Csere vágószájként csak a jelen kézikönyvben a műszaki adatoknál megadott átmérőjű nejlon vágószálat használjon.
- Új vágószál kihúzását követően a beindítás előtt mindig állítsa vissza a terméket a normális működési állásba.
- Minden egyes használat után egy puha, száraz ruhával tisztítsa meg a terméket. A sérült alkatrészeket egy hivatalos szervizközpontban kell megjavíttatni vagy kicseréltetni.
- Minden használat előtt és gyakori időközönként ellenőrizzen minden anyacsavart és csavart a megfelelő meghúzás szempontjából, hogy biztosítsa a termék biztonságos üzemi állapotát. A sérült alkatrészeket egy hivatalos szervizközpontban kell megjavíttatni vagy kicseréltetni.
- A sérült vagy olvashatatlan címkék cseréjéhez vigye vissza a terméket egy hivatalos szervizközpontba.

FENNMARADÓ KOCKÁZAT

Még a termék rendeltetésszerű használata esetén sem lehet teljesen kiküszöbölni minden kockázati tényezőt. A gép használata során a következő veszélyek merülhetnek fel, és a kezelőnek különösen oda kell figyelnie az alábbiak elkerülésére:

- A vibráció sérüléseket okozhat
 - A terméket az arra szolgáló fogantyúnál tartsa, és korlátozza a munkaidőt és a vibrációnak való kitettséget.
- Zaj okozta sérülések
 - Viseljen hallásvédőt és korlátozza a zajnak való kitettséget
- Repülő törmelék okozta sérülés.
 - Mindig viseljen szemvédőt.

KOCKÁZATCSÖKKENTÉS

Arról számoltak be, hogy a kéziszerszámok használata során fellépő vibráció bizonyos személyeknél hozzájárulhat az úgynevezett Raynaud-szindróma (Raynaud's Syndrome) nevű állapot kialakulásához. A tünetei lehetnek: az ujjak zsibbadása, elfehéredése, szúrások érzése, amelyek hidegnek kitéve gyakran felerősödnek. Az örökklődő tényezők, a hidegnek kitettség és verejtékezés, a diéta, a dohányzás és munka közben alkalmazott fogások valószínűleg mind hozzájárulhatnak ezen tünetek megjelenéséhez. A vibráció hatásainak csökkentése érdekében a kezelőnek be kell tartani az alábbi óvintézkedéseket:

- Hideg időben tartsa melegen a testét. A termék használatakor viseljen kesztyűt a kéz és a csukló melegen tartásához. Arról számoltak be, hogy a hideg időjárásnak fontos szerepe van a Raynaud-szindróma kialakulásában.
- Bizonyos időtartamú használat után mindig végezzen gyakorlatokat a vérkeringés javításához.
- Gyakran tartson munkaszünetet. Korlátozza a napi munkaidőt.

Ha ezen állapot bármelyik tünetét tapasztalja, azonnal hagyja abba a munkát, és tájékoztassa az orvosát a tünetekről.

▲ FIGYELMEZTETÉS

Hosszabb használat sérülést okozhat. Ha a gépet hosszú időn át kell használnia, tartson gyakran szünetet.

ISMERJE MEG A TERMÉKET

Lásd 109. oldal.

Részegységek

1. Akkumulátor-csatlakozó
2. Hátsó fogantyú
3. Indító retesz
4. Fordulatszám-szabályozós kioldó
5. Töltő
6. Töltőkábel
7. Akkumulátor
8. Akkumulátor reteszelő gomb
9. Orsfedél
10. Orsó
11. Vágószál
12. Vágószál vágókés
13. Fűterelő
14. Alsó tengely
15. Elülős fogantyú



SZIMBÓLUMOK A TERMÉKEN



A termék használata előtt olvasson el és értsen meg minden utasítást. Tartsa be az összes figyelmeztetést és biztonsági utasítást.



Viseljen védőszemüveget



Viseljen fülvédőt



A termék használata közben csúszásmentes biztonsági lábbelit viseljen.



Ne használjon fém kés(ek)e)t a terméken.



Ne tegye ki esőnek, és ne használja nedves környezetben.



Figyeljen a kivetett vagy repülő tárgyakra. Az összes nézelődő, különösen a gyerekek és a háziállatok, legyenek legalább 15 m-es távolságra a használati területtől.



Tartsa a kezeit távol a késektől.



Tartsa a kezeit távol a késektől.



A gép bekapcsolása előtt figyelmesen olvassa el az útmutatót.



Garantált hangteljesítményszint: 92 dB.



A kiselejtezett elektromos termékeket nem szabad a háztartási hulladékkal együtt kidobni. Ezeket újra kell hasznosítani, ha van rá lehetőség. Az újrahasznosítással kapcsolatban érdeklődjön a helyi önkormányzatnál vagy a termék forgalmazójánál.



Ez a szerszám minden, a vásárlás európai uniós országában hatályos szabványnak megfelel.



Eurázsiai megfelelési jelzés.



Ukrainai megfelelési nyilatkozat

A következő jelölőszavak és jelölések arra szolgálnak, hogy megmagyarázzák a termékkel kapcsolatos veszélyességi szinteket:

⚠ VESZÉLY

Egy bekövetkező veszélyes helyzetet jelez, ami, ha nem előzik meg, halált vagy komoly sérülést eredményez.

⚠ FIGYELMEZTETÉS

Egy potenciálisan bekövetkező veszélyes helyzetet jelez, amit, ha nem előznek meg, halált vagy komoly sérülést eredményezhet.

⚠ FIGYELEMFELHÍVÁS

Egy potenciálisan veszélyes helyzetet jelez, ami, ha nem előzik meg, kisebb vagy mérsékelt sérülést eredményezhet.

FIGYELEMFELHÍVÁS

Biztonsági figyelmeztető szimbólum nélkül
Egy olyan helyzetet jelez, ami anyagi kárt eredményezhet.

A KÉZIKÖNYVBEN HASZNÁLT SZIMBÓLUMOK



Külön értékesített alkatrészek és kiegészítők



Megjegyzés



Figyelem



EN
FR
DE
ES
IT
NL
PT
DA
SV
FI
NO
RU
PL
CS
HU
RO
LV
LT
ET
HR
SL
SK
BG
UK
TR

Siguranța, performanța și fiabilitatea au constituit principalele noastre preocupări la proiectarea mașinii electrice de tuns gard viu fără fir.

UTILIZARE PREVĂZUTĂ

Mașina electrică de tuns gard viu fără fir este concepută pentru a fi utilizată de către adulți responsabili, care au citit și au înțeles instrucțiunile și avertismentele din acest manual și pot fi considerați responsabili pentru acțiunile proprii.

Produsul este proiectat să fie folosit doar în mediu exterior și în zonă bine aerisită. Din motive de siguranță, produsul trebuie manevrat corespunzător, cu ambele mâini.

Când este echipată cu cap tăietor cu fir (și cu dispozitivul de protecție aferent) unealta este destinată tunderii ierbii lungi, a buruienilor ierboase și a altor plante similare, la nivelul solului. Planul de tăiere trebuie să fie aproximativ paralel cu suprafața solului atunci când se face tunderea.

Produsul nu trebuie utilizat pentru a tăia sau a tunde garduri vii, tufișuri sau altă vegetație în care planul de tăiere nu este paralel cu suprafața solului.

Nu folosiți în alte scopuri.

AVERTISMENTE GENERALE PRIVIND SIGURANȚA

⚠ AVERTISMENT

Citiți toate avertismentele și instrucțiunile de siguranță. Nerespectarea acestor avertismente și instrucțiuni poate conduce la șocuri electrice, incendii și/ sau accidente grave.

⚠ AVERTISMENT

Atunci când utilizează produsul, normele de siguranță trebuie să fie respectate. Pentru siguranța dumneavoastră și a trecătorilor, vă rugăm să citiți aceste instrucțiuni înainte de utilizarea produsului. Vă rugăm păstrați instrucțiunile în siguranță pentru o folosire ulterioară.

⚠ AVERTISMENT

Produsul nu este destinat a fi folosit de către copii sau persoane cu capacități fizice, mintale sau senzoriale reduce. Copiii trebuie să fie supravegheați adecvat pentru a vă asigura că nu se joacă cu produsul.

⚠ AVERTISMENT

Anumite regiuni au reglementări ce restricționează folosirea produsului. Pentru sfaturi întrebați autoritățile dvs. locale.

INSTRUIRE

- Citiți instrucțiunile cu atenție. Familiarizați-vă cu toate comenzile și folosirea corespunzătoare a produsului.
- Nu lăsați niciodată copiii sau persoanele nefamiliarizate

cu aceste instrucțiuni să folosească produsul. Reglementările locale pot restricționa vârsta operatorului.

- Țineți trecătorii, copiii și animalele de companie la 15 metri depărtare de zona de operare. Oprțiți produsul dacă cineva intră în zonă.
- Nu utilizați produsul dacă sunteți obosit, bolnav sau sub influența drogurilor, alcoolului sau medicamentelor.
- Rețineți că operatorul sau utilizatorul este responsabil pentru accidentele sau pericolele ce pot avea loc asupra altor persoane sau proprietăți lor.

PREGĂTIRE

- Purtați protecție completă a ochilor și urechilor în timpul operării produsului. Dacă în zona de lucru există riscul căderii de obiecte, trebuie purtată protecție a capului.
- Protecția pentru auz ar putea restricționa capacitatea operatorului de a auzi sunetele de avertizare. Acordați atenție specială potențialelor pericole din jurul sau din interiorul zonei de lucru.
- Purtați pantaloni lungi groși, cizme și mănuși. Nu purtați haine largi, pantaloni scurți, bijuterii de niciun fel sau să fiți desculți.
- Prindeți părul lung deasupra umerilor pentru a preveni prinderea lui de părțile în mișcare.
- Înainte de folosire și după fiecare impact, verificați să nu existe părți/piese deteriorate. Un întrerupător defect sau orice altă parte care e deteriorată sau uzată trebuie reparată corespunzător sau înlocuită la un atelier service autorizat.
- Asigurați-vă că accesoriul de tăiere este corect instalat și prins fix.
- Nu operați niciodată produsul fără a avea toate apărătorile, deflectoarele și mânerul corespunzător atașate și fixate.
- Aveți în vedere mediul în care lucrați. Păstrați zona de lucru liberă de cabluri, bețe, pietre și resturi care dacă sunt lovite de cuiț pot să fie aruncate.

FOLOSIREA ȘI ÎNTREȚINEREA MAȘINII CU ACUMULATOR

- Reîncărcați numai cu încărcătorul specificat de producător. Un încărcător destinat unui anumit tip de acumulator este folosit la încărcarea altor acumulatori există pericolul de incendii.
- Folosiți unelte electrice numai cu acumulatorii indicați. Utilizarea oricărui altă acumulatori poate crea un risc de vătămare și de incendii.
- Atunci când acumulatorul nu este în uz, păstrați-l departe de alte obiecte metalice, cum ar fi agrafe de birou, monede, chei, cuie, șuruburi sau alte obiecte metalice mici, care pot face o conexiune de la o bornă la alta. Scurtcircuitarea bornelor bateriei poate provoca arsuri sau incendii.
- Ca urmare a folosirii necorespunzătoare, din acumulator se poate scurge lichid; evitați contactul cu acesta. În cazul unui contact accidental, spălați cu apă. În cazul contactului cu ochii, consultați suplimentar un medicul. Lichidul care iese din acumulator poate provoca iritații sau arsuri.



AVERTISMENTE DE SIGURANȚĂ PENTRU TRIMMERUL CU FIR CU ACUMULATOR

- Nu lăsați niciodată copiii, persoanele cu capacități fizice, senzoriale sau mintale reduse sau cu lipsă de experiență și cunoștințe sau persoanele nefamiliarizate cu aceste instrucțiuni să folosească produsul.
- Folosiți produsul pe timpul zilei sau dacă aveți o sursă de lumină artificială bună.
- Evitați operarea mașinii în iarbă udă.
- Mențineți o poziție de echilibru și stabilitate a picioarelor în orice moment și asigurați-vă că aveți stabilitate a picioarelor când stați pe un plan înclinat.
- Nu pășiți înapoi atunci când folosiți produsul. Mergeți. Nu alergați niciodată.
- Mențineți capul tăietor atașat mai jos de nivelul taliei dvs.
- Nu utilizați niciodată unealta cu apărătoare deteriorate sau fără apărătoare montate.
- Nu înlocuiți niciodată firul de nylon cu unul metalic.
- Feriți întotdeauna mâinile și picioarele de părțile tăietoare ale uneltei, mai ales atunci când porniți motorul.
- Aveți grijă, mecanismul de tăiere va continua să se rotească și după oprirea motorului.
- Fiți atent la obiectele aruncate de mijloacele de tăiere. Curățați resturile precum pietre mici, pietriș și alte obiecte străine din zona de lucru înainte de începerea operării. Cabluri sau fire pot să fie încălcite în mijloacele de tăiere
- Pentru a se reduce riscul de accidentare în urma contactului cu piesele în mișcare, opriți întotdeauna echipamentul atunci când nu îl utilizați și deconectați acumulatorul lăsându-le pe ambele să se răcească. Asigurați-vă că toate piesele mobile s-au oprit complet:
 - înainte de efectuarea reparațiilor
 - înainte de a îndepărta un obiect ce a determinat un blocaj
 - înainte de a verifica, curăța sau lucra asupra produsului
 - înainte de a schimba accesoriile
 - după ce a fost lovit un obiect străin
 - când lăsați produsul nesupravegheat
 - în timpul lucrărilor de întreținere a produsului
 - dacă produsul începe să vibreze anormal
- Purtați protecție completă a ochilor și urechilor în timpul operării produsului. Dacă în zona de lucru există riscul căderii de obiecte, trebuie purtată protecție a capului.
- Protecția pentru auz ar putea restricționa capacitatea operatorului de a auzi sunetele de avertizare. Acordați atenție specială potențialelor pericole din jurul sau din interiorul zonei de lucru.
- Purtați pantaloni lungi groși, cizme și mănuși. Nu purtați haine largi, pantaloni scurți, bijuterii de niciun fel sau să fiți desculți.
- Prindeți părul lung deasupra umerilor pentru a preveni prinderea lui de părțile în mișcare.

- Lama mică montată pe apărătoare este destinată scurtării firului tăietor la lungimea corespunzătoare pentru a garanta siguranța și performanțele optime. Lama este foarte ascuțită. Nu atingeți lama, mai ales atunci când se curăță echipamentul.
- Asigurați-vă întotdeauna că deschiderile de ventilație nu sunt acoperite de resturi.
- Înainte de folosire și după fiecare impact, verificați să nu existe părți/piese deteriorate. Un întrerupător defect sau orice altă parte care e deteriorată sau uzată trebuie reparată corespunzător sau înlocuită la un atelier service autorizat.
- Asigurați-vă că accesoriul de tăiere este corect instalat și prins fix.
- Asigurați-vă că toate dispozitivele de protecție, deflectoarele și mânerul sunt fixate corect și strâns.
- Nu modificați produsul în niciun mod. În caz contrar poate rezulta rănirea gravă a dvs. și a altor persoane din jur.
- Folosiți doar fir de tăiere înlocuitor al producătorului. Nu folosiți niciun alt accesoriu de tăiere.
- Opriti imediat mașina și îndepărtați acumulatorul în caz de accident sau defecțiune. Nu utilizați din nou produsul înainte de a realiza o verificare completă, la un centru de service autorizat.

⚠ AVERTISMENT

Asigurați-vă că lama de corectare a lungimii firului este fixată și poziționată adecvat înainte de fiecare utilizare a produsului.

AVERTISMENTE SUPLIMENTARE PRIVIND SIGURANȚA LA UTILIZAREA BATERIILOR

⚠ AVERTISMENT

Pentru a reduce pericolul unui incendiu și evitarea rănilor sau deteriorarea produsului în urma unui scurtcircuit nu imersați scula, acumulatorul de schimb sau încărcătorul în lichide și asigurați-vă să nu pătrundă lichide în aparate și acumulatori. Lichidele corosive sau cu conductibilitate, precum apa sărată, anumite substanțe chimice și înalbitori sau produse ce conțin înalbitori, pot provoca un scurtcircuit.

TRANSPORTAREA ȘI DEPOZITAREA

- Opriti echipamentul, scoateți acumulatorul și lăsați echipamentul să se răcească, înainte de a-l transporta sau depozita.
- Curățați toate materialele străine din produs.
- Nu depozitați și nu transportați produsul cu bateriile montate. Scoateți acumulatorul și asigurați-l separat. Depozitați-l într-un loc răcoros, uscat și bine aerisit ce este inaccesibil copiilor. Păstrați produsul la distanță de agenți corozivi, precum substanțe chimice de grădină și săruri de dezghețare. Nu depozitați produsul în aer liber.

- Pentru transportare, fixați produsul împotriva mișcării sau căderii pentru a preveni vătămarea persoanelor sau deteriorarea produsului.

TRANSPORTAREA BATERIILOR DE LITIU.

Transportați bateriile în conformitate cu prevederile și reglementările locale și naționale. Urmați toate cerințele speciale privind împachetarea și etichetarea atunci când transportați baterii către un terț.

Asigurați-vă că nicio baterie nu poate să intre în contact cu alte baterii sau materiale conductive în timpul transportului prin protejarea conectorilor expuși cu bandă, capace izolatoare neconductive. Nu transportați bateriile ce sunt crăpate sau care au scurgeri. Verificați cu firma transportatoare pentru recomandări ulterioare.

ÎNȚEȚINERE

⚠ AVERTISMENT

Folositi doar piese de schimb, accesorii si atasamente originale ale producatorului Neurmarea acestora poate cauza posibilă vătămare, slaba funcționare și ar putea anula garanția.

⚠ AVERTISMENT

Service-ul necesită atenție și cunoștințe deosebite și trebuie îndeplinit doar de către un tehnician service calificat. Duceți produsul la reparații numai într-un centru service autorizat. La efectuarea serviciului, folosiți doar piese de schimb originale ale producătorului.

- Opriti echipamentul și îndepărtați bateria înainte de a efectua orice tip de lucrări de întreținere sau de curățare.
- Puteți face doar reglaje sau reparațiile descrise în acest manual. Pentru alte reparații sau sfaturi, căutați asistență din partea unui centru service autorizat.
- Pentru fir de schimb, folosiți doar linie cu filament din nylon cu diametrul descris în tabelul cu specificații din acest manual.
- Nu prelungirea noului fir de tăiere, reveniți întotdeauna produsul la poziția sa normală de funcționare înainte de a-l opera.
- După fiecare folosire curățați produsul cu o cârpă moale și uscată. Orice piesă deteriorată trebuie să fie reparată în mod corespunzător sau înlocuită de un service autorizat.
- Verificați înainte de fiecare utilizare și periodic ca toate șuruburile, piulițele și bolțurile filetate să fie strânse adecvat, pentru a asigura siguranța în utilizare a produsului. Orice piesă deteriorată trebuie să fie reparată în mod corespunzător sau înlocuită de un service autorizat.
- Duceți produsul la un centru service autorizat pentru a înlocui etichetele deteriorate sau ilizibile.

RISCURI REZIDUALE

Chiar dacă produsul este folosit așa cum a fost prescris, este totuși imposibil să se elimine complet anumiți factori de risc reziduali. Următoarele pericole pot apărea în timpul folosirii și operatorul trebuie să acorde o atenție specială pentru a evita următoarele:

- Vătămare cauzată de vibrație
 - Țineți produsul de mânerle proiectate și restricționați timpul și expunerea de lucru.
- Vătămare cauzată de zgomot.
 - Purtați protecție pentru auz și limitați expunerea.
- Răniri cauzate de resturile rezultate în urma tăierii.
 - Purtați întotdeauna protecție pentru ochi.

REDUCEREA RISCULUI

S-a raportat faptul că vibrațiile produse de uneltele manuale pot contribui, la anumite persoane, la o afecțiune denumită Sindromul Raynaud. Simptomele pot include furnicătură, amorțeală și albirea degetelor, care apare, de obicei, după expunerea la frig. Factori ereditari, expunerea la frig și umiditate, dieta, fumatul și practicile de muncă contribuie la dezvoltarea acestor simptome. Există măsurător care pot fi efectuate de către operator pentru a reduce efectele de vibrațiilor:

- Păstrați-vă temperatura corporală ridicată pe vreme rece. Când operați produsul purtați mănuși pentru a menține calde mâinile și încheieturile. S-a constatat că vremea rece este un factor major care contribuie la sindromul Raynaud.
- După fiecare perioadă de operare, trebuie făcute exerciții pentru a crește circulația sângelui.
- Trebuie făcute pauze la intervale de timp regulate. Limitați expunerea zilnică.

Dacă sunt experimentate oricare dintre simptomele acestei afecțiuni, trebuie întreruptă utilizarea și consultat un medic.

⚠ AVERTISMENT

Pot fi cauzate sau agravate vătămările de la folosirea prelungită a aparatului. Atunci când folosiți o sculă pentru perioade prelungite, asigurați-vă că luați pauze regulate.

CUNOAȘTEȚI-VĂ PRODUSUL

Vezi pagina 109.

Părți

1. Conexiune la baterie
2. Mănerul principal
3. Declanșator blocabil
4. Trăgaci viteză variabilă
5. Încărcător
6. Cablul încărcătorului
7. Acumulator
8. Buton zăvor a bateriei
9. Capac bobină
10. Bobină
11. Fir de tăiere

- 12. Lamă de tăiere a firului
- 13. Deflector de iarbă
- 14. Bară inferioară
- 15. Mâner anterior

SIMBOLURILE DE PE PRODUS.



Citiți și înțelegeți toate instrucțiunile înainte de a utiliza produsul. Respectați toate avertismentele și instrucțiunile de siguranță.



Purtați întotdeauna ochelari de protecție



Purtați protecție pentru urechi



Purtați întotdeauna încălțăminte de siguranță antiderapantă când utilizați acest produs.



Nu folosiți lame/discuri de metal la acest produs.



Nu expuneți la ploaie sau umezeală.



Feriți-vă de obiecte proiectate sau în zbor. Țineți toți trecătorii, în special copiii și animalele de companie la cel puțin 15 metri de zona de operare.



Țineți mâinile departe de lame.



Țineți mâinile departe de lame.



Vă rugăm citiți instrucțiunile cu atenție înainte de pornirea aparatului.



Nivelul de putere sonoră garantat este de 92 dB.



Deșeurile produselor electrice nu trebuie înălțurate împreună cu deșeurile casnice. Vă rugăm reciclați acolo unde există facilități. Verificați la autoritatea dvs locală sau la vânzător pentru sfaturi privind reciclarea.



Acest aparat este conform cu ansamblul normelor reglementare din țara din UE în care a fost cumpărat.



Marcaj de conformitate EurAsian.



Semn de conformitate ucrainean

Următoarele cuvinte de semnalizare sunt destinate a explica nivelele de risc asociate cu acest produs:

⚠ PERICOL

Indică o situație periculoasă iminentă, care dacă nu este evitată va cauza decesul sau vătămarea gravă.

⚠ AVERTISMENT

Indică o situație periculoasă iminentă, care dacă nu este evitată poate rezulta în deces sau vătămare gravă.

⚠ ATENȚIE

Indică o situație potențial periculoasă, care dacă nu este evitată poate cauza vătămarea moderată sau ușoară.

ATENȚIE

Fără a simbolul de alertă privind siguranța

Indică o situație care poate duce la pagube materiale.

SIMBOLURI DIN ACEST MANUAL



Piese sau accesorii vândute separat



Notă



Avertisment



Radot jūsu bezvadu auklas trimmeri, veiktspējai un uzticamībai ir pievērsta vislielākā vērība.

PAREDŽĒTAIS LIETOJUMS

Bezvadu auklas trimmeris ir paredzēts lietošanai tikai pieaugušajiem, kas ir izlasījuši un izpratūši norādes un brīdinājumus šajā rokasgrāmatā, un var tikt uzskatīti par atbildīgiem par savām darbībām.

Ierīce ir paredzēta tikai lietošanai ārā, labi vēdinātās apstākļos. Drošības nolūkos, trimmeri jāizmanto, to atbilstoši vadot ar abām rokām.

Kad produkts aprīkots ar auklas trimmera galvu (un atbilstošu aizsargu), tas paredzēts garas zāles, stiebru vai līdzīgu augu pļaušanai pie zemes vai nelielā augstumā. Pļaušanas plaknei ir jābūt aptuveni paralēlai zemes virsmai pļaušanas laikā.

Izstrādājumu nedrīkst lietot dzīvzogu, krūmu vai cita apauguma griešanai vai cirpšanai, ja griešanas plakne nav paralēla zemes virsmai.

Nelietojiet citiem mērķiem.

VISPĀRĪGIE DROŠĪBAS BRĪDINĀJUMI

▲ BRĪDINĀJUMS

Izlasiet visus drošības brīdinājumus un norādījumus. Brīdinājumu un norādījumu neizpildīšana var izraisīt elektrisko triecienu, aizdegšanos un/vai smagu ievainojumu.

▲ BRĪDINĀJUMS

Izmantojot ierīci, izpildiet drošības noteikumus. Pirms darba uzsākšanas Jūsu un blakusstāvētāju drošības dēļ, lūdzu, izlasiet šos norādījumus. Lūdzu, saglabājiet instrukciju vēlākai izmantošanai.

▲ BRĪDINĀJUMS

Ierīce nav paredzēta bērniem vai cilvēkiem ar samazinātām fiziskām, garīgām spējām vai maņu kustību traucējumiem. Nepieciešams pienācīgi uzmanīt bērnus, lai nodrošinātu, ka tie nespēlēs ar ierīci.

▲ BRĪDINĀJUMS

Dažos reģionos pastāv noteikumi, kas ierobežo preces lietošanu. Vērsieties pie atbildīgajām amatpersonām pēc padoma.

APMĀCĪBA

- Uzmanīgi izlasiet norādījumus. Iepazīstieties ar visām vadībām un pareizu preces izmantošanu.
- Nekad neļaujiet bērniem vai personām, kas nav iepazīnušas ar instrukcijām, izmantot precī. Vietos jstatymai gali apriboti jrengimo operatoriauis amziu.
- Pārliecinieties, ka tuvumā stāvošie -bērni un dzīvnieki ir 15 m attālumā no jūsu darbošanās vietas. Ja kāds ienāk zonā, apturiet precī.

- Neizmantojiet produktu, ja esat noguris, slims vai narkotiku, alkohola vai medikamentu ietekmē.
- Turēkite omenyje, kad operatorius arba vartotojas yra atsakingas uz nelaimingus atsitikimus arba kitiems asmenims ar jū turmui sukeltą pavojų.

SAGATAVOŠANA

- Darbinot precī, valkājiet pilnus acu un ausu aizsargus. Ja strādājat zonā, kur pastāv krītošu priekšmetu risks, jāvalkā galvas aizsargs.
- Dzirdes aizsardzība var ietekmēt lietotāja spēju dzirdēt brīdinājuma skaņas. Īpašu uzmanību pievērsiet potenciālajiem riskiem jums apkārt un darba vietā.
- Velciet izturīgas garās bikses, zābakus un cimdus. Nevelciet ratu un vaļīgu apģērbu, īsās bikses, jebkādas rotaslietas un nelietojiet bez apaviem.
- Nostipriniet garus matus tā, lai tie ir virs plecu līmeņa, lai novērstu sapīšanas kustīgajās daļās.
- Pirms lietošanas un pēc jebkura trieciena, pārbaudiet, vai nav bojātu daļu. Bojāts slēdzis vai kāda daļa, kas ir bojāta vai nolietota, pareizi jāsalabo vai jānomaina pilnvarotā servisa centrā.
- Pārliecinieties, ka griešanas uzgalis ir pareizi uzstādīts un droši nostiprināts.
- Nekad nedarbiniet produktu, ja vien visi aizsargi, deflektori un rokturi ir pareizi droši pievienoti.
- Pārskatiet apkārtni, kurā strādājat. Atbrīvojiet darba zonu no vadiem, zariem, akmeņiem un būvgružiem, kas, iedarbinot griezēju, var tikt izvaidīti.

AR AKUMULATORU DARBINĀMU IERĪČU LIETOŠANA UN KOPŠANA

- Uzlādējiet tikai ar ražotāja noteikto lādētāju. Lādētājs, kas paredzēts lietošanai ar viena veida akumulatoru, var būt ugunsnedrošs, ja to izmanto ar citu akumulatoru.
- Lietojiet elektriskos instrumentus tikai ar konkrētajai ierīcei paredzēto akumulatoru. Jebkura cita akumulatora lietošana var radīt ievainojumu un ugunsgrēka risku.
- Kad nelietojat akumulatoru, neturiet to citu metāla priekšmetu tuvumā, piemēram: papīra saspauces, monētas, atslēgas, naglas, skrūves vai citi sīki metāla priekšmeti, kas var veidot savienojumu starp spailēm. Akumulatora spaiļu īsslēgums var radīt aizdegšanos vai ugunsgrēku.
- Nepareizas rīcības gadījumā no akumulatora var izšķiūt šķidrums; izvairieties no saskares ar to. Nejaušas saskares gadījumā skalojiet skarto vietu ar ūdeni. Ja šķidrums nokļūst acīs, nepieciešama arī medicīniskā palīdzība. No akumulatora izklūvušais šķidrums var izraisīt kairinājumu vai apdegumus.

AKUMULATORA AUKLAS TRIMMERA DROŠĪBAS BRĪDINĀJUMI

- Nekad neļaujiet bērniem, cilvēkiem ar samazinātām fiziskajām spējām, maņu vai garīgiem traucējumiem, vai cilvēkiem ar pieredzes un zināšanu trūkumu, vai cilvēkiem, kuri nav iepazīnušies ar instrukcijām, izmantot šo ierīci.
- Lietojiet izstrādājumu dienas gaismā vai labā mākslīgā apgaismojumā.





- Izvairieties no iekārtas darbināšanas mitrā zālē.
- Pārliecinieties par stabilu pamatu zem kājām un ķermeņa līdzsvaru, nodrošinieties, veicot plaušanu nogāzēs.
- Lietojot šo precī, nestaigājiet at muguriski. Ejiet, nekādā gadījumā neskrieniet.
- Turiet galvas pielāgojumu zemāk par jostasvietu.
- Nekad neizmantojiet produktu ar bojātiem aizsargiem vai bez uzstādītiem aizsargiem.
- Nekad nepielāgojiet metāla aizvietotāja auklu.
- Turiet rokas un kājas tālāk no griezējdaļām visu laiku un īpaši, kad tiek ieslēgts motors.
- Uzmanieties, jo griešanas galva turpina griezties arī pēc motora izslēgšanas.
- Uzmanieties no priekšmetiem, kas tiek izsvaidīti griešanas laikā. Pirms darba uzsākšanas atfriet darba zonu no maziem akmeņiem, grants un citiem svešiem priekšmetiem. Vadi vai auklas var iepīties griešanas laikā.
- Lai samazinātu tādu ievainojumu risku, kas saistīti ar saskarsmi ar kustīgām daļām, vienmēr izslēdziet produktu, noņemiet akumulatoru bloku un ļaujiet abiem atdzist. Pārliecinieties, ka visas kustīgās daļas ir pilnīgi apstājušās:
 - pirms sākt apkopi
 - pirms nosprostojumu tīrīšanas
 - pirms iekārtas pārbaudes, tīrīšanas vai labošanas
 - pirms papildaprīkojuma nomaiņas
 - pēc trieciena pret svešķermeni
 - kad atstājat ierīci bez uzraudzības
 - ikreiz, kad veicat apkopi
 - ja iekārta sāk neparasti vibrēt
- Darbinot precī, valkājiet pilnus acu un ausu aizsargus. Ja strādājat zonā, kur pastāv kritošu priekšmetu risks, jāvalkā galvas aizsargs.
- Dzirdes aizsardzība var ietekmēt lietotāja spēju dzirdēt brīdinājuma skaņas. Īpašu uzmanību pievēršiet potenciālajiem riskiem jums apkārtnē darba vietā.
- Velciet izturīgas garās bikses, zābakus un cimdus. Nevelciet platu un vaļīgu apģērbu, īsās bikses, jebkādas rotaslietas un nelietojiet bez apaviem.
- Nostipriniet garus matus tā, lai tie ir vīrs plecu līmeņa, lai novērstu sapīšanas kustīgajās daļās.
- Mazais asmens, kas uzstādīts uz drošības aizsarga ir paredzēts tikko izvilktas auklas apciršanai pareizajā garumā droši un optimālai darbībai. Asmens ir ļoti ass. Nepieskarieties asmenim, it īpaši, tīrot produktu.
- Vienmēr pārliecinieties, ka ventilācijas atveres ir tīras no netīrumiem.
- Pirms lietošanas un pēc jebkura trieciena, pārbaudiet, vai nav bojātu daļu. Bojāts slēdzis vai kāda daļa, kas ir bojāta vai nolietota, pareizi jāsalabo vai jānomaina pilnvarotā servisa centrā.
- Pārliecinieties, ka griešanas uzgalis ir pareizi uzstādīts un droši nostiprināts.
- Pārbaudiet, vai visi aizsargi, noliecēji un rokturi ir pareizi un stingri piestiprināti.

- Nekādā veidā neveiciet instrumenta pārveidi. Tas var palielināt ievainojumu gūšanas risku jums un apkārtējiem.
- Lietojiet tikai ražotāja piedāvāto rezerves griešanas auklu. Nelietojiet citus griešanas uzgaliņus.
- Negadījumu vai saplīšanas gadījumā nekavējoties izslēdziet un noņemiet akumulatora bloku. Neizmantojiet izstrādājumu līdz tas nav pilnībā pārbaudīts pilnvarotā servisa centrā.

⚠ BRĪDINĀJUMS

Pirms katras lietošanas reizes pārliecinieties, ka auklas apciršanas asmens aizsargā ir pareizi novietots un nostiprināts.

PAPILDU AKUMULATORU BLOKA DROŠĪBAS BRĪDINĀJUMI

⚠ BRĪDINĀJUMS

Lai novērstu īssavienojuma izraisītu aizdegšanās, savainojumu vai produkta bojājuma risku, neiegremdējiet instrumentu, maināmo akumulatoru vai uzlādes ierīci šķidrums un rūpējieties par to, lai ierīces un akumulatoros neieķītu šķidrums. Koroziju izraisoši vai vadītspējīgi šķidrums, piemēram, sālsūdens, noteiktas ķīmikālijas, balinātāji vai produkti, kas satur balinātājus, var izraisīt īssavienojumu.

TRANSPORTĒŠANA UN UZGLABĀŠANA

- Pirms produkta novietošanas glabāšanai vai transportēšanas, izslēdziet to, noņemiet akumulatoru bloku un ļaujiet tam atdzist.
- Notīriet visus svešķermeņus no izstrādājuma.
- Neglabājiet vai nepārvadājiet produktu, ja tam ievietotas baterijas. Noņemiet akumulatora bloku un nolieciet to drošā vietā. Uzglabājiet to vēsā, sausā un labi vēdinātā vietā, kurai nevar piekļūt bērni. Sargiet izstrādājumu no korozīvām vielām, piemēram, dārza ķīmikālijām un pretapledošanas sāls. Neglabājiet produktu ārpus telpām.
- Transportējot nostipriniet ierīci, lai tā nekustētos un neapgāztos, jo tas var izraisīt miesas bojājumus un ierīces bojājumus.

LITIJA BATERIJU TRANSPORTĒŠANA

Transportējiet baterijas saskaņā ar vietējiem un valsts noteikumiem un regulām. Ievērojiet visas īpašās prasības saistībā ar iepakojšanu un marķēšanu, transportējot trešās puses baterijas.

Nodrošiniet, ka baterijas transportā nevar nonākt saskarē ar citām baterijām vai vadītspējīgiem materiāliem, aizsargājot atklātos savienotājus ar nevadošiem izolācijas vāciņiem vai lentēm. Netransportējiet iekļausu baterijas vai baterijas, kurām ir noplūde. Lūdziet padomu kravu pārvadāšanas uzņēmumam.



APKOPE

⚠ BRĪDINĀJUMS

Lietojiet tikai oriģinālās ražotāja rezerves daļas, piederumus un uzgaļus. Pretējā gadījumā var tikt radīti ievainojumi un parādīts slikts sniegums, kā arī var tikt anulēta garantija.

⚠ BRĪDINĀJUMS

Aptarnavimā atlikti būtina itin atīdžiai, todēl rekomēduojame, kad tehniņē apžīurā vykdytū kvalifikuotas specialistas. Veiciet apkalpošanu tikai pilnvarotā servisa centrā. Veicot apkopi, lietojiet tikai oriģinālās ražotāja rezerves daļas.

- Izslēdziet un noņemiet akumulatoru bloku, pirms veikt jebkādus apkopes vai tīrīšanas darbus.
- Jūs varat veikt tikai šajā rokasgrāmatā aprakstīto regulēšanu un remontdarbus. Cita veida remontam vai konsultācijām, vērsieties pēc padoma autorizētā servisa centrā.
- Aizstāšanai izmantojiet tikai neilona šķiedras auklu, kuras diametrs aprakstīts šīs rokasgrāmatas specifikācijas tabulā.
- Kad pagarināta jauna griešanas aukla, pirms iedarbināšanas vienmēr atgrieziet precī tās parastajā darba stāvoklī.
- Pēc katras lietošanas reizes notīriet precī ar mīkstu, sausu drāniņu. Jebkura bojāta detaļa jānodod remontam vai nomaīņai pilnvarotā apkopes centrā.
- Pārbaudiet visus uzgriežņus un skrūves pirms katras lietošanas kā arī ar regulāriem intervāliem, vai tie ir novilkti, lai nodrošinātu izstrādājuma drošu lietošanas stāvokli. Jebkura bojāta detaļa jānodod remontam vai nomaīņai pilnvarotā apkopes centrā.
- Nesiet precī uz pilnvarotu pakalpojumu centru, lai nomaīnītu bojātos vai nesalasāmās uzlīmes.

OBJEKTĪVIE RISKI

Pat ka prece ir lietotā kā noteikts, nav iespējams pilnībā novērst noteiktus riska faktorus. Turpmāk norādītie riski var rasties lietošanas laikā un operatoram īpaša uzmanība jāpievērš, lai izvairītos no turpmāk minētā:

- Vibrācijas radīts ievainojums
 - Turiet precī aiz paredzētajiem rokturiem un ierobežojiet darba laiku, un pakļaušanu.
- Trokšņa radīti miesas bojājumi
 - Valkājiet ausu aizsargu un ierobežojiet saskarsmi.
- Lidojošu drazu radīti ievainojumi.
 - Vienmēr nēsājiet acu aizsardzību.

RISKA SAMAZINĀŠANA

Ir ticis ziņots, ka vibrācijas no rokas instrumentiem atsevišķos cilvēkos var veicināt kaiti, ko sauc par Reino sindromu. Simptomi var ietvert pirkstu tīnkšķēšanu, nejutīgumu un nobālēšanu, parasti aukstā laikā. Tiek

uzskatīts, ka tradicionālie faktori, aukstums un mitrums, uzturs, smēķēšana un darba prakse sekmē šo simptomu attīstību. Operators var veikt pasākumus, lai iespējami samazinātu vibrācijas efektu:

- Aukstā laikā ķermenim jābūt siltam. Kad darbināt precī valkājiet cimdus, lai rokas un plaukstu locītavas būtu siltas. Ir pētījumi, ka auksts laiks ir galvenais faktors, kas veicina Reino sindromu.
- Ik pēc laika apturiet darbu un veiciet vingrinājumus, kas uzlabo asins cirkulāciju.
- Strādājot jābūt biežiem pārtraukumiem. Ierobežojiet iedarbības ilgumu dienā.

Ja jūs izjūtat kādu no šiem simptomiem, nekavējoties apturiet ierīces lietošanu un sazinieties ar ārstu par šiem simptomiem.

⚠ BRĪDINĀJUMS

Ilgstoša preces lietošana var radīt ievainojumus vai pasliktināt jau esošos. Ilgstoši lietojot jebkuru instrumentu, pārliecinieties, ka tiek veikti regulāri pārtraukumi.

PAZĪSTIET SAVU IERĪCI

Skatīt 109. lappusi

Daļas

1. Akumulatora savienojuma ligzda
2. Aizmugurējais rokturis
3. Bloķēšanas mēlīte
4. Maināma ātruma slēdzis
5. Lādētājs
6. Lādētāja vads
7. Akumulators
8. Akumulatora stiprinājuma poga
9. Spoles pārsegs
10. Spole
11. Griešanas aukla
12. Auklas griešanas asmens
13. Zāles novirzītājs
14. Apakšējā vārpsta
15. Priekšējais rokturis

UZ PRECES ESOŠIE SIMBOLI



Izlasiet un izprotiet visas norādes pirms produkta lietošanas. Ievērojiet visus brīdinājumus un drošības norādes.



Valkājiet acu aizsargaprīkojumu



Lietojiet dzirdes aizsargus



Kad izmantojat šo izstrādājumu, lietojiet neslīdošus aizsargapavus.



Neizmantojiet metāla asmeņus.



Nepakļaujiet lietum vai mitriem apstākļiem.



Sargieties no izmestiem vai lidojošiem priekšmetiem. Rūpējieties, lai visi tuvumā stāvošie, īpaši bērni un dzīvnieki atrastos vismaz 15 m attālumā no darba zonas



Neturiet rokas asmeņu tuvumā.



Neturiet rokas asmeņu tuvumā.



Pirms iedarbināt mašīnu, lūdzu rūpīgi izlasiet instrukcijas.



Garantētais skaņas jaudas līmenis ir 92 dB.



Izlietotie elektroprodukti nedrīkst tikt izmesti kopā ar mājtsaimniecības atkritumiem. Lūdzu, nododiet tos attiecīgajās atk ār tolas izmantošanas vietās. Sazinieties ar savu vietējo varas pārstāvi vai izplatītāju, lai noskaidrotu, kur iespējama atkārtota pārstrāde.



Darbarīks atbilst visām normām ES valstī, kurā tas ir iegādāts.



EurAsian atbilstības marķējums.



Ukrainas apstiprinājuma zīme

UZMANĪBU

Norāda potenciālo bīstamo situāciju, kas, ja no tās neizvairās, var novest pie nelielas vai vidējas traumas.

UZMANĪBU

Bez drošības brīdinājuma apzīmējuma Norāda uz situāciju, kas var radīt īpašuma bojājumus.

SIMBOLI ŠAJĀ ROKASGRĀMATĀ



Atsevišķi nopērkamās daļas vai piederumi



Piezīme



Brīdinājums

Šādi signālvārdi un nozīmes ir paredzētas, lai izskaidrotu ar precī saistītā riska līmeņus:

BĪSTAMI

Norāda draudošo bīstamo situāciju, kas, ja no tās neizvairās, var novest pie nāves vai nopietnas traumas.

BRĪDINĀJUMS

Norāda potenciālo bīstamo situāciju, kas, ja no tās neizvairās, var novest pie nāves vai nopietnas traumas.



Kuriant šią akumulatorinę vielinę žoliapjovę, didžiausia svarba buvo teikiama jos saugai, efektyvumui ir patikimumui.

NAUDOJIMO PASKIRTIS

Ši akumulatorinė vielinė žoliapjovė skirta naudoti tik suaugusiesiems, kurie yra perskaite ir suprato šiame vadove pateiktus nurodymus bei įspėjimus ir gali būti laikomi atsakingais už savo veiksmus.

Prietaisai skirtas naudoti lauke, gerai vėdinamoje vietoje. Darbo šiuo įrenginiu saugą galima užtikrinti tik dirbant abiem rankomis.

Įrenginys su įrengta vieline galvute (ir atitinkamu apsauginiu gaubtu) yra skirtas aukštai žolei, peraugusioms piktžolėms ir panašiai augalijai pažemiu arba prie pat žemės pjauti. Pjaunant žolę, pjovimo plokštuma privalo būti maždaug lygiagreti žemės paviršiui.

Produkto negalima naudoti pjauti ar apkarpyti gyvatvores, krūmus ar kitus augalus, kai pjovimo plokštuma nėra lygiagreti žemės paviršiui.

Nenaudokite kitais tikslais.

BENDRIEJI SAUGOS ĮSPĖJIMAI

ĮSPĖJIMAS

Perskaitykite visus saugos įspėjimus ir visą instrukciją. Įspėjimų ir instrukcijų nesilaikymas gali sukelti elektros smūgį, gaisrą ir (ar) rimtus sužeidimus.

ĮSPĖJIMAS

Būtina laikytis saugos reikalavimų naudojantis šiuo produktu. Dėl savo pačių ir šalia esančių asmenų saugumo, perskaitykite šias instrukcijas prieš pradėdami dirbti prietaisu. Šias instrukcijas reikia išsaugoti ateičiai.

ĮSPĖJIMAS

Krūmapjovės negali naudoti vaikai ar asmenys su fiziniais, psichiniais ar jutiminiais sutrikimais. Vaikus reikia tinkamai prižiūrėti, kad jie nežaistų su krūmapjove.

ĮSPĖJIMAS

Kai kuriuose regionuose taisyklės riboja įrenginio naudojimą. Kreipkitės patarimo į vietos įstaigą.

APMOKYMAS

- Atidžiai perskaitykite instrukcijas. Būtina susipažinti su gaminio valdymo įtaisais ir tinkamo naudojimo nurodymais.
- Šio gaminio jokių būdu negalima leisti naudoti vaikams ar asmenims, nesusipažinusiems su šiomis instrukcijomis. Vietos įstatymai gali apriboti įrengimo operatoriaus amžių.
- Pašaliniai asmenys, vaikai ir gyvūnai turi būti 15 m atstumu nuo genėjimo vietos. Į apdirbamą plotą įėjus pašaliniam asmeniui, gaminį reikia sustabdyti.

- Nesinaudokite įrankiu būdami pavargę, apsvaigę nuo narkotinių medžiagų, alkoholio arba vaistų.
- Turėkite omenyje, kad operatorius arba vartotojas yra atsakingas už nelaimingus atsitikimus arba kitiems asmenims ar jų turtui sukeltą pavojų.

PARUOŠIMAS

- Naudodami šį įrenginį, dėvėkite pilną akių ir klausos apsaugą. Dirbant zonoje, kurioje gali kristi objektai, būtina dėvėti galvos apsaugos priemones.
- Klausos apsaugos priemonės gali kliudyti operatoriumi išgirsti įspėjamuosius garsus. Ypatingą dėmesį reikia atkreipti į potencialius pavojus aplink darbo sritį ir joje.
- Dėvėkite sunkias ilgas kelnes, batus ir pirštines. Nedėvėkite dukšlių drabužių, trumpų kelnų, papuošalų ir atviros avalynės.
- Ilgus plaukus reikia susėti virš pečių lygio, kad neįsipainiotų į judančias dalis.
- Prieš naudodami įrenginį ir po bet kokio jo sutrenkimo patikrinkite, ar nėra pakenktų dalių. Nekokybišką jungiklį ar pakenktą arba susidėvėjusią dalį reikia tinkamai sutaisyti arba pakeisti. Dalis keisti gali tik įgalotas techninio aptarnavimo centras.
- Patikrinkite, ar pjovimo įtaisas tinkamai sumontuotas ir pritvirtintas.
- Gaminio jokių būdu negalima naudoti, jeigu nėra tinkamai pritvirtinti apsauginiai įtaisai, kreiptuvai ir rankenos.
- Prieš pradėdami naudoti elektrinius įrankius atidžiai apžiūrėkite darbo aplinką. Darbo plote negali mėtytis laidai, pagaliai, akmenys ir nuolaužos, kurie, įstrigę pjovimo įtaise, iš jo „iššauka“.

ĮRANKIO SU AKUMULIATORIUMI NAUDOJIMAS IR PRIEŽIŪRA

- Pakartotinai kraukite prietaisą tik naudodami gamintojo nurodytą kroviklį. Vieno tipo akumulatoriui tinkantis įkroviklis gali kelti gaisro pavojų kitokiam akumulatoriui.
- Elektrinius įrankius naudokite tik su jiems skirtais baterijų paketais. Naudojant kitokius akumulatorius, galima susižeisti ar sukelti gaisrą.
- Kai akumulatorius nenaudojamas, jį laikykite toliau nuo kitų metalinių daiktų, pavyzdžiui, sąvaržėlių, monetų, raktų, vinių, varžtų ar kitų mažų metalinių daiktų, kurie vieną gnybtą gali sujungti su kitu. Sutrumpinus vieną akumulatoriaus gnybtą su kitu, galima nusidegini arba sukelti gaisrą.
- Netinkamomis sąlygomis iš akumulatoriaus gali ištekėti skystis - nelieskite jo. Jei atsitiktinai prisilietėte - nuplaukite vandeniu. Jei skystis pateko į akis, papildomai kreipkitės į gydytoją. Iš akumulatoriaus ištekėjęs skystis gali nudeginti ar sukelti sudirginimus.

AKUMULIATORINĖS VIELINĖS VEJAPJOVĖS NAUDOJIMO SAUGOS TAISYKLĖS

- Jokių būdu neleiskite naudoti krūmapjovės vaikams, asmenims su fiziniais, jutiminiais ar psichiniais sutrikimais, ar žmonėms, neturintiems reikiamos patirties ir žinių, arba nesusipažinusiems su šiomis instrukcijomis.





- Naudokite šį gaminį dienos šviesoje ar esant geram dirbtiniam apšvietimui.
- Stenkitės su prietaisu nedirbti esant šlapiai žolei.
- Dirbdami šlaituose visada tvirtai stovėkite ant žemės ir išlaikykite pusiausvyrą.
- Pjaudami, neikite atbulomis. Visada eikite, niekada nebėkite.
- Pjovimo įtaisas privalo būti laikomas žemiau juosmens linijos.
- Niekada nenaudokite įrenginio, nei jo apsauginiai gaubtai yra apgadinti arba neuždėti.
- Nenaudokite metalinių juostų.
- Prieš jungdami variklį nestovėkite per arti žoliapjovės, saugokite rankas ir kojas.
- Atminkite, kad išjungus variklį pjovimo įtaisas kurį laiką toliau sukasi.
- Saugokitės iš pjovimo įtaiso „iššaunamų“ objektų. Prieš pradėdami darbą, iš darbo ploto pašalinkite nuolaužas, tokias kaip nedideli akmenukai, žvyras ir kiti pašaliniai daiktai. Vietos arba virvelės gali įspainioti pjovimo įtaisuose.
- Norėdami išvengti pavojaus susižaloti prisilietus prie judančių dalių, visada išjunkite įrenginį, išimkite akumuliatorių ir palaukite, kol jie abu atvės. Patikrinkite, ar visos judančio dalys visiškai sustoję sukis:
 - prieš atlikdami techninę priežiūrą
 - prieš pašalindami užsikimšimą
 - prieš tikrindami ar valydami prietaisą arba prieš pradėdami jį pjauti žolę;
 - prieš keisdami priedus
 - kliudę pašalinį objektą
 - kai paliekate krūmapjovę be priežiūros
 - kaskart atlikdami techninę priežiūrą
 - Prietaisui pradėjus neįprastai vibruoti
- Naudodami šį įrenginį, dėvėkite pilną akių ir klausos apsaugą. Dirbant zonoje, kurioje gali kristi objektai, būtina dėvėti galvos apsaugos priemones.
- Klausos apsaugos priemonės gali kliudyti operatoriui išgirsti įspėjamuosius garsus. Ypatingą dėmesį reikia atkreipti į potencialius pavojus aplink darbo sritį ir joje.
- Dėvėkite sunkias ilgus kelnes, batus ir pirštines. Nedėvėkite dukšlių drabužių, trumpų kelnų, papuošalų ir atviros avalynės.
- Ilgus plaukus reikia susegti virš pečių lygio, kad neįsipainiotų į judančias dalis.
- Maža ant apsauginio įtaiso sumontuota geležtė yra skirta nukirpti naujai išstumtai pjovimo vielai iki tinkamo ilgio, kad darbas būtų saugus ir optimalus. Peilis yra labai aštrus. Nelieskite šio peilio, ypač valydami įrenginį.
- Visada patikrinkite, ar ventiliavimo angos nėra užsikimšusios atliekomis.
- Prieš naudodami įrenginį ir po bet kokių jo sutrenkimo patikrinkite, ar nėra pakenktų dalių. Nekokybišką jungiklį ar pakenktą arba susidėvėjusią dalį reikia tinkamai sutaisyti arba pakeisti. Dalis keisti gali tik įgaliotas techninio aptarnavimo centras.
- Patikrinkite, ar pjovimo įtaisas tinkamai sumontuotas ir pritvirtintas.

- Patikrinkite, ar visos apsaugos, deflektoriai, rankenos tinkamai ir patikimai pritvirtintos.
- Draudžiama kaip nors modifikuoti gaminį. Dėl to gali padidėti pavojus susižeisti patiems ir sužeisti kitus.
- Keitimui naudokite tik gamintojo pjovimo lyną. Nenaudokite jokio kito pjovimo įtaiso.
- Nelaimingo atsitikimo arba gedimo atveju nedelsdami išjunkite įrenginį ir išimkite akumuliatorių. Nenaudokite įrenginio tol, kol jis nebus išsamiai patikrintas įgaliotos techninės priežiūros centre.

⚠ ĮSPĖJIMAS

Prieš kiekvieną naudojimą tikrinkite, ar pjovimo vielos nukirtimo geležtė yra tinkamai nustatyta ir įtvirtinta.

PAPILDOMI AKUMULIATORIAUS SAUGOS ĮSPĖJIMAI

⚠ ĮSPĖJIMAS

Siekdami išvengti trumpojo jungimo sukeliama gaisro pavojaus, sužalojimų arba produkto pažeidimų, neikiškite įrankio, keičiamo akumuliatoriaus arba įkroviklio į skysčius ir pasirūpinkite, kad į prietaisus arba akumuliatorius nepatektų jokių skysčių. Koroziją sukeliantys arba laidūs skysčiai, pvz., sūrus vanduo, tam tikri chemikalai ir balikliai arba produktai, kurių sudėtyje yra baliklių, gali sukelti trumpąjį jungimą.

GABENIMAS IR LAIKYMAS

- Išjunkite įrenginį, išimkite akumuliatorių ir palaukite, kol įrenginys atvės, jei norite jį padėti saugojimo vietai arba transportuoti.
- Nuo įrankio nuvalykite visas pašalines medžiagas.
- Nelaikykite ir negabenkite gaminio su įdėtomis baterijomis. Išimkite akumuliatorių ir padėkite jį atskirai į saugią vietą. Laikykite vėsioje, sausoje, gerai vėdinamoje ir vaikams nepasiekiamoje vietoje. Laikykite gaminį toliau nuo korozinių medžiagų, pvz. sodo chemikalų ir tirpdančių druskų. Nelaikykite įrenginio lauke.
- Paruošiant gabenimui, gaminį reikia pritvirtinti, kad nejudėtų ir nenukristų, nes priešingu atveju jis gali sužaloti žmones arba sugesti pats.

LIČIO BATERIJŲ TRANSPORTAVIMAS

Akumuliatorių gabenkite pagal vietinius ir šalies reikalavimus bei nuostatas. Akumuliatorius gabenant trečiajai šaliai būtina laikyti visų specialių reikalavimų, nurodytų pakuotėse ir etiketėse.

Užtikrinkite, kad gabavimo metu nei vienas akumuliatorius nesiliestų su kitais akumuliatoriais arba laidžiosiomis medžiagomis – apsauginis jungiamuosius elementus uždenkite izoliacinėmis nelaidžiosiomis movomis arba juosta. Įskilusių ir tekančių akumuliatorių negabenkite. Dėl tolesnių patarimų kreipkitės į transporto įmonę.



PRIEŽIŪRA

ĮSPĖJIMAS

Keitimui naudokite tik originalias gamintojo atsargines dalis. Neoriginalios dalys gali būti sužeidimų ir įrenginio blogo veikimo priežastis, ir dėl to gali būti anuliuotas garantinis pažymėjimas.

ĮSPĖJIMAS

Aptarnavimą atlikti būtina itin atidžiai, todėl rekomenduojame, kad techninę apžiūrą vykdytų kvalifikuotas specialistas. Įrenginį techninei priežiūrai pristatykite tik į įgaliojantį techninės priežiūros centrą. Atlikdami prietaiso techninę priežiūrą, keitimui naudokite tik originalias, prietaiso gamintojo atsargines dalis.

- Prieš atlikdami bet kokius techninės priežiūros ar valymo darbus, išjunkite įrenginį ir išimkite akumuliatorių paketą.
- Gaminį reguliuoti ar taisyti patiems galima tik tiek, kiek aprašyta šiame vadove. Dėl kitų dalių taisymo ar pagalbos taisant reikia kreiptis į įgaliojantį techninio aptarnavimo centrą.
- Seną stygą keisti tik nailono pluošto styga, kurios skersmuo nurodytas šio vadovo specifikacijų lentelėje.
- Ištiesus naują pjovimo įtaiso lyną, prieš pradėdami darbą, reikia būtinai gražinti įrenginį į jo įprastą darbo padėtį.
- Po kiekvieno naudojimo, išvalykite įrenginį sausu švelnaus audinio gabalėliu. Bet kurią apgadintą detalę leidžiama remontuoti arba keisti tik autorizuotame aptarnavimo centre.
- Reguliariai ir prieš kiekvieną naudojimą tikrinkite, ar tinkamai užveržti visi sraigčiai, varžtai ir veržlės, kad užtikrintumėte saugą darbo aplinką. Bet kurią apgadintą detalę leidžiama remontuoti arba keisti tik autorizuotame aptarnavimo centre.
- Prireikus pakeisti sugadintas ar neįskaitomas etiketes, gaminį reikia nugabenti į įgaliojantį techninio aptarnavimo centrą.

ŠALUTINIAI PAVOJAI

Net naudojant gaminį pagal nurodymus, neįmanoma visiškai atmesti visų pavojaus veiksnių. Naudojant gaminį gali kilti toliau išvardinti pavojai ir naudotojas turi kreipti ypatingą dėmesį, kad jų išvengtų:

- Vibracijos sukeltas sužalojimas
 - Laikyti gaminį už tam skirtų rankenų ir riboti darbo laiką bei buvimą sveikatai žalingoje aplinkoje.
- Triukšmo sukelta trauma
 - Dėvėkite akių apsaugą ir ribokite poveikio trukmę.
- Skriejančių atplaišų sukelti sužeidimai.
 - Būtinai dėvėti akių apsaugą.

RIZIKOS MAŽINIMAS

Turime pranešimų, kad vibracija nuo ranka laikomų įrankių kai kuriems asmenims gali turėti neigiamos įtakos vystantis Raynaud sindromui. Šios ligos požymiai yra pirštų dilgčiojimas, nutirpimas ir pabalimas, paprastai pasireiškiantis nuo šalčio. Šie simptomai vystosi dėl paveldimų veiksnių, nesisaugant nuo šalčio ir drėgmės, dėl mitybos, rūkymo ir darbo praktikos. Operatorius gali imtis šių priemonių, kurios gali sumažinti vibracijos poveikį:

- Apsirenkite kuo šilčiau šaltu oru. Naudojant gaminį, reikia mūvėti pirštines, kad plaštakos ir riešai neatšaltų. Turime pranešimų, kad Raynaud sindromas labiausiai vystosi nuo šalto oro sąlygų.
- po darbo kiekvieną kartą pasportuokite, kad pagerėtų kraujotaka;
- dažnai darykite darbo pertraukas. Atribokite darbo laikotarpį per dieną.

Jei jums pasireiškia kokie nors šios būklės simptomai, nedelsdami nutraukite darbą ir kreipkitės į gydytoją.

ĮSPĖJIMAS

Ilgiau naudojant, įrankis kelia sužeidimų pavojų ir apsunkina darbą. Ilgiau naudojant įrankius, reikia reguliariai daryti pertraukas.

PAŽINKITE SAVO GRANDINĮ PJŪKLĄ

Žr. 109.ps.

Dalys

1. Baterijos jungtis
2. Galinė rankena
3. Užrakinimo fiksatorius
4. Kintamojo greičio spragtukas
5. Įkroviklis
6. Įkroviklio kabelis
7. Baterija
8. Baterijos užšovo mygtukas
9. Ritės dangtelis
10. Ritė
11. Pjovimo linija
12. Juostos nupjovimo geležtė
13. Žolės kreiptuvas
14. Apatinis velenas
15. Priekinė rankena

SIMBOLIAI ANT ĮRENGINIO



Reguliariai ir prieš kiekvieną naudojimą tikrinkite, ar tinkamai užveržti visi sraigčiai, varžtai ir veržlės, kad užtikrintumėte saugą darbo aplinką. Vadovaukitės visais įspėjimais ir saugos taisyklėmis.



Dėvėkite apsauginius akinius



Dėvėkite ausų apsaugos priemones



Naudodamiesi šiuo gaminiu visada avėkite avalynę neslystančiais padais.



Prietaise nemontuokite metalinės(-ių) geležtės(-čių).



Nenaudoti lyjant ar esant drėgnoms sąlygoms.



Saugokitės išmetamų arba skrendančių objektų. Visi pašaliniai asmenys, ypač vaikai ir naminiai gyvūnai, turi būti ne arčiau kaip 15 m nuo darbo vietos.



Rankas laikykite toliau nuo geležčių.



Rankas laikykite toliau nuo geležčių.



Atidžiai perskaitykite instrukcijas prieš pradėdami naudoti mechanizmą.



Garantuotas garso galios lygis yra 92 dB.



Elektrinių produktų atliekos neturi būti metamos kartu su namų ūkio atliekomis. Prašome perdirbkite jas ten, kur yra tokios perdirbimo bazės. Dėl perdirbimo patarimo kreipkitės į savo vietinę savivaldybę ar pardavėją.



Šis prietaisas atitinka visas reglamentuotas normas ES šalies, kur jis buvo nupirktas.



„EurAsian“ atitikties ženklas.



Ukrainos atitikties ženklas

⚠ ĮSPĖJIMAS

Reiškia potencialiai pavojingą situaciją, kurios neišvengus galimi sunkūs ar net mirtini sužeidimai.

⚠ ATSARGIAI

Reiškia potencialiai pavojingą situaciją, kurios neišvengus galimi lengvi ar vidutinio sunkumo sužeidimai.

ATSARGIAI

Be įspėjamųjų simbolių

Reiškia nuosavybės žalos tikimybę.

SIMBOLIAI VADOVE



Detalės arba priedai yra parduodami atskirai



Pastaba



Įspėjimas!

Toliau pateikti signaliniai žodžiai skirti paaiškinti rizikos, susijusios su gaminiu, lygius:

⚠ PAVOJUS

Reiškia ypač pavojingą padėtį, kurios neišvengus bus patirti sunkūs ar net mirtini sužeidimai.

Juhtmeta jõhvtrimmeri juures on peetud esmatähtsaks ohutust, töövõimet ja töökindlust.

OTSTARBEKOHANE KASUTAMINE

Juhtmeta jõhvtrimmerit tohivad kasutada täiskasvanud, kes on lugenud kasutusjuhendit, saavad aru selles olevatest juhistest ja hoiatustest ning vastutavad oma tegevuse eest. See seade on ette nähtud kasutamiseks vaid väljaspool ruume, hästiventileeritud kohas. Ohutuse tagamise eesmärgil peab töötamise ajal hoidma tööriista kahe käega, et seda saaks piisavalt kontrollida.

Jõhvtrimmeri peaga (ja sobiva terakaitsmega) varustatud toode on ette nähtud kõrge muru, säsise umbrohu ja sarnase taimestikuga lõikamiseks maapinnal või maapinna lähedal. Lõiketasand peaks trimmimise ajal olema maapinnaga enam-vähem paralleelne.

See seade ei ole ette nähtud hekkide, pöösaste või muude taimede lõikamiseks lõiketasapinnas, mis ei ole maapinnaga paralleelne.

Ärge kasutage ühekski muuks otstarbeks.

OHUTUSE ÜLDEESKIRJAD

⚠ HOIATUS

Lugege kõik ohuhoiatused ja juhised läbi. Hoiatuste ja juhiste eiramisel on oht saada elektrilööki või raskeid kehavigastusi ning/või põhjustada tulekahju.

⚠ HOIATUS

Seadme kasutamisel tuleb järgida ohutusreegleid. Teie ja kõrvalseisjate ohutuse tagamiseks lugege käesolevad juhised enne seadme kasutamist läbi. Hoidke juhend edaspidiseks kasutamiseks alles.

⚠ HOIATUS

Seade ei ole ette nähtud kasutamiseks laste või nende isikute poolt, kellel on piiratud füüsilised, vaimsed või sensoorsed võimed. Laste järele tuleb piisavalt valvata, et nad seadmega ei mängiks.

⚠ HOIATUS

Mõnedes piirkondades on seadused, mis piiravad selle toote kasutamist. Lisateavet saate kohaliku omavalitsusest.

VÄLJAÕPE

- Lugege juhised hoolikalt läbi. Õppige tundma kõiki seadme juhtseadiseid ja kasutusnõudeid.
- Ärge laske kultivaatorit kasutada lastel ega neil, kes ei ole käesoleva juhendiga tutvunud. Kohalikud regulatsioonid võivad seada kasutaja vanusele piiranguid.
- Hoidke kõik kõrvalseisjad, lapsed ja lemmikloomad tõalalt vähemalt 15 meetri kaugusele. Kui keegi tööpiirkonda siseneb, siis seisake kultivaator.

- Ärge kasutage toodet, kui olete väsinud, haige või narkootikumide, alkoholi või ravimite mõju all.
- Pidage meeles, et operaator või kasutaja on vastutav õnnetuste või ohuolukordade eest, mis võivad puudutada teisi inimesi või nende vara.

ETTEVALMISTUSTOIMINGUD

- Kandke selle seadme kasutamisel kaitseprille ja kõrvaklappe. Töötamisel kohtades, kus on allakukkivate esemete oht, tuleb kanda kiivrit.
- Kuulmiskaitse võib takistada kasutajal kuulda hoiatussignaale. Pöörake tähelepanu tööpiirkonnas ja selle ümbruses olevatele ohtudele.
- Kandke tugevast riidest pikki pükse, saapaid ja kindaid. Ärge kandke lõtvu riideid, lühikesi pükse, mistahes ehteid ega töötaga paljajalu.
- Kinnitage pikad juuksed õlgadest kõrgemale, et vältida nende takerdumist liikuvate osade vahele.
- Enne töötamise alustamist kontrollige, et seadme osad ei ole vigastatud. Vigastatud lüliti ja vigastatud osad tuleb lasta pädeval hooldajal parandada või asendada.
- Veenduge, et lõikeorgan on õigesti paigaldatud ja kindlalt kinnitatud.
- Ärge hakake masinat enne kasutama, kui olete veendunud, et kõik kaitsed, suunajad ja käepidemed on õigesti ja ohutult kinnitatud.
- Hinnake keskkonda, kus töotate. Hoidke töökoht vaba traatidest, vaiaest, kividest ja prahist, mis võivad lõikeorganiga kokku puutudes välja paiskuda.

AKUTÖÖRIISTA KASUTAMINE JA KORRASHOID

- Laadige akut ainult tootja poolt ettenähtud laadijaga. Akulaadaja, mis sobib ühele akupaketile võib põhjustada tulekahju, kui seda kasutada teise akupaketiga.
- Kasutage akutööriista ainult selleks ettenähtud akudega. Muude akupaketide kasutamine võib põhjustada kehavigastusi või tulekahju.
- Sel ajal kui akupakett ei ole kasutusel, hoidke seda eemal metallesemetest nagu kirjaklambrid, mündid, võtmed, naelad, kruvid ja muudest väikestest metallobjectidest, mis võivad akuklemmid lühistada. Aku klemmide lühistamine võib põhjustada põletust või tulekahju.
- Aku vale kasutamise korral võib akuvedelik välja voolata - vältige sellega kokkupuudet. Akuvedeliku nahale sattumisel peske see veega maha. Akuvedeliku silma sattumisel pöörduge arsti poole. Väljapritsvik akuvedelik võib tekitada nahaärritust või -põletust.

JUHTMETA JÕHVTRIMMERI OHUTUSJUHISED

- Ärge lubage lapsi ega piiratud füüsiliste, sensoorsete ja vaimsete võimetega inimesi ega kogemuste ja teadmisteta ning käesolevate juhistega mittetutvunud inimesi seadet kasutada.
- Kasutage toodet päeva valguse või hea tehisvalguse korral.
- Vältige seadme kasutamist märja rohuga.
- Seiske alati kindlalt, säilitage tasakaal ja olge kallakutel eriti ettevaatlik.



- Ärge liikuge seadme kasutamisel selg ees. Töötamisel kõndige, ärge kunagi jookske.
- Hoidke peatarvik vöökohast allpool.
- Ärge kasutage toodet, kui selle kaitsmed on kahjustatud või puuduvad.
- Ärge paigaldage metallist asendustera.
- Hoidke jalad ja käed alati eemal lõikepeast ja eriti siis, kui lülitate mootori sisse.
- Ettevaatust! Lõiketerad jätkavad pöörlemist pärast mootori väljalülitamist.
- Hoidke eemale lõikeorgani poolt ülespaisatud esemete eest. Enne töö alustamist puhastage tööpiirkond väikestest kividest, kruusast ja muust lahtisest materjalist. Traadid ja nõõrid võivad takerduda lõiketeradesse.
- Et vähendada liikuvate osadega kokkupuutumist tingitud vigastuste ohtu, lülitage alati toode välja, eemaldage aku ja laske mõlemal maha jahtuda. Veenduge, et kõik masina liikuvad osad on täielikult seiskunud:
 - enne hooldust
 - enne takistuse kõrvaldamist
 - enne kontrollimist, puhastamist või teenindamist,
 - enne tarvikute vahetamist
 - pärast võõrkehaga kokkupuutumist
 - seadme jätmise järelvalveta
 - alati hooldustööde teostamisel
 - kui muruniiduk hakkab ebanormaalselt vibreerima
- Kandke selle seadme kasutamisel kaitseprille ja kõrvaklappe. Töötamisel kohtades, kus on allakukkuvate esemete oht, tuleb kanda kiivrit.
- Kuulmiskaitse võib takistada kasutajal kuulda hoiatussignaale. Pöörake tähelepanu tööpiirkonnas ja selle ümbruses olevatele ohtudele.
- Kandke tugevast riidest pikki pükse, saapaid ja kindaid. Ärge kandke lõtvu riideid, lühikesi pükse, mistahes ehteid ega töötaga paljajalu.
- Kinnitage pikad juuksed õlgadest kõrgemale, et vältida nende takerdumist liikuvate osade vahele.
- Kaitsekatte küljes olev väike tera lõikab uue väljaulatuva jõhvi pikkuse parajaks, et saavutada ohutu ja optimaalne tulemus. Lõiketera on väga terav. Ärge puudutage lõiketera, eriti toodet puhastades.
- Veenduge, et ventilatsioonivad on kogu aeg prahist puhtad.
- Enne töötamise alustamist kontrollige, et seadme osad ei ole vigastatud. Vigastatud lüliti ja vigastatud osad tuleb lasta pädeval hooldajal parandada või asendada.
- Veenduge, et lõikeorgan on õigesti paigaldatud ja kindlalt kinnitatud.
- Veenduge, et kõik kaitsed, suunajad ja käepidemed on õigesti ja ohutult kinnitatud.
- Ärge muutke toodet mitte mingil viisil. See võib suurendada vigastuste ohtu teile endale või teistele isikutele.
- Kasutage ainult tootja poolt tarnitud jõhvi. Ärge kasutage mingit muud lõikeorganit.

- Lülitage otsekohe välja ja eemaldage aku õnnetuse või rikke korral. Ärge kasutage tööriista enne, kui see on volitatud parandustöökojas põhjalikult kontrollitud.

⚠ HOIATUS

Iga kord enne kasutamist kontrollige, kas jõhvi lõiketera on õigesti asetatud ja kinnitatud.

AKU LISAOHUTUSJUHISED

⚠ HOIATUS

Lühisest põhjustatud tuleohtu, vigastuste või toote kahjustuste vältimiseks ärge kastke tööriista, vahetusakut ega laadimisaset vedelikku ning jälgige, et vedelikke ei tungiks seadmetesse ega akusse. Korrodeeruvad või elektrit juhtivad vedelikud, nagu soolvesi, teatud kemikaalid ja pleegitusained või pleegitusaineid sisaldavad tooted, võivad põhjustada lühist.

TRANSPORTIMINE JA HOIUSTAMINE

- Enne toote hoiustamist või selle transportimist lülitage toode välja, eemaldage aku ja laske tootel maha jahtuda.
- Puhastage seade kõikidest võõrkehadest.
- Ärge hoidke ega transportige toodet koos paigaldatud patareidega. Eemaldage aku ja kinnitage see eraldi. Hoidke kuivas ja hästi ventileeritud kohas, mis on lastele juurdepääsmatu. Hoidke seadet eemal korrodeerivatest ainetest, nagu aiakemikaalid ja jääsulatussoolad. Ärge hoiustage toodet väljas.
- Vedamise ajal tõkestage kultivaator liikuma hakkamise ja alla kukkumise vastu, et vältida kehavigastusi ja masinaosade kahjustamist.

LIITUMAKUDE TEISALDAMINE

Akude transportimisel juhendage kasutuskohas kehtivatest riiklikest määrustest ja eeskirjadest. Akude transportimisel allettevõtjate poolt järgige kõiki pakkimise ja tähistamise erinõudeid.

Veenduge, et akud ei satu kokkupuutese teiste akude ega voolu juhtivate materjalidega, kui avatud klemmid on transportimise ajal kaitstud voolu mittejuhtivate isoleerikorkide või teibiga. Ärge transportige pragunenud või lekkivaid akusid. Küsige lisateavet transportettevõtelt.

HOOLDUS

⚠ HOIATUS

Kasutage ainult tootja originaalvaruosi, tarvikuid ja tööorganeid. Selle nõude eiramine võib põhjustada, kehavigastuse, tootluse languse ja teile antud garantiitühistamise.



⚠ HOIATUS

Hooldamine nõuab ülimalt korraldusi ja teadmisi ning tuleks teostada ainult kvalifitseeritud hooldustehnikute poolt. Toodet tohib parandada vaid volitatud teeninduses. Muruniiduki hooldamisel kasutage ainult tootja originaalvaruosi.

- Enne hooldus- ja puhastustööd lülitage tööriist välja ja eemaldage aku.
- Lubatud on teha ainult selles kasutusjuhendis kirjeldatud reguleerimis- ja parandustoiminguid. Muude remonditööde tellimiseks ja abi saamiseks pöörduge volitatud hoolduskeskusesse.
- Asendusjõhvina kasutage vaid sellise läbimõõduga nailonjõhvi, mis on esitatud selle kasutusjuhendi tehniliste andmete tabelis.
- Pärast uue trimmerijõhvi paigaldamist seadke trimmer enne käivitamist tavalöösasendisse.
- Pühkige trimmer pärast iga kasutuskorda pehme kuiva lapiga puhtaks. Vigastatud osad tuleb lasta pädeval hooldajal parandada või asendada.
- Iga kord enne kasutamist ja sagedaste intervallide tagant kontrollige, kas kõik mutrid, poldid ja kruvid on tugevalt kinni ning veenduge, et tööriist on kasutamiseks ohutu. Vigastatud osad tuleb lasta pädeval hooldajal parandada või asendada.
- Pöörduge vigastatud ja loetamatute kleebiste asendamiseks volitatud hoolduskeskuse poole.

JÄÄKRISKID

Isegi siis, kui kultivaatorit kasutatakse kirjeldatud viisil, ei ole võimalik kõrvaldada kõiki jääkriskide mõjureid. Töötamise ajal võivad tekkida järgmised ohud, millele operaator peab pöörama erilist tähelepanu.

- Vibratsioonist põhjustatud kehavigastus
 - Hoidke kultivaatorit kinni selleks ette nähtud käepidemetest ja piirake tööaega ning vibratsiooniga kokkupuudet.
- Mürast põhjustatud vigastus
 - Kandke kuulmiskaitsevahendeid ja piirake müraga kokkupuudet
- Lenduva prügi poolt põhjustatud vigastused.
 - Kandke alati silmakaitsevahendeid.

RISKI ALANDAMINE

Teadaolevalt võib käsitööriistade kasutamine põhjustada mõnedel inimestel seisundit, mida nimetatakse Raynaud' sündroomiks. Sümptomidena võib ilmneda sõrmede tuimus ja valkjaks muutumine, mis tavaliselt ilmneb külmas töötamisel. Nende sümptomite puhul tuleb hoiduda külmast ja niiskusest, diidist ning suitsetamisest ja kasutada õigeid töövõtteid. Vibratsiooni mõju vähendamiseks tuleb rakendada järgmisi abinõusid.

- Külma ilmaga hoidke oma keha soe. Kandke kindaid, et hoida oma käed ja randmed soojad. Uuringud näitavad, et Raynaud's Syndrome ilmneb põhiliselt külma ilmaga.
- Pärast külmas töötamist tehke harjutusi, et verevarustust kiirendada.

- Tehke regulaarselt töövaheaegasisid. Piirake tööperioodi pikkust.

Kui ilmnevad haigustunnused, lõpetage kohe töö ja pöörduge arsti poole.

⚠ HOIATUS

Seadme pikaajalisel kasutamisel võite saada kehavigastusi ja varasemad vigastused võivad süveneda. Seadme kasutamisel pika aja jooksul tuleb teha korralisi vaheaegasisid.

ÕPPIGE OMA TOODET TUNDMA

Vt leht 109.

Seadme osad

1. Akuterminal
2. Tagumine käepide
3. Lahtilukustuse nupp
4. Kiirusregulaatori päästik
5. Laadija
6. Laadija juhe
7. Aku paketiga
8. Aku riivi nupp
9. Pooli kate
10. Jõhvi pool
11. Lõikejõhv
12. Jõhvi mahalõiketera
13. Rohusuunaja
14. Alumine vars
15. Eesmine käepide

MASINAL OLEVAD SÜMBOLID



Enne toote kasutamist lugege läbi ja tehke endale selgeks kõik juhised. Järgige kõiki hoiatusi ja tööohutuseeskirju.



Kandke silmakaitsevahendeid



Kandke kuulmiskaitsevahendeid



Kandke selle toote kasutamisel alati libisemiskindlaid turvajalatsid.



Ärge kasutage seadmel metallist lõiketera(sid).



Ärge jätke vihma kätte või kasutage niiskes kohas.



Hoiduge ülespaisatud ja lendavate esemete eest. Hoidke kõik kõrvalseisjad, eriti lapsed ja lemmikloomad tööalalt vähemalt 15 meetri kaugusele.



Hoidke käed lõiketeradest eemal.



Hoidke käed lõiketeradest eemal.



Enne seadme kasutamist lugege palun kasutusjuhend hoollega läbi.



Garanteeritud helivõimsuse tase on 92 dB.



Mittekasutatavaid elektritooteid ei tohi visata olmejäätmete hulka. Vaid tuleb viia vastavasse kogumispunkti. Vajadusel küsige sellekohast nõu oma edasimüüjalt või vastavalt kohaliku omavalitsuse institutsioonilt.



Vastab kõigile eeskirjadele EL-i liikmesriigis, kus toode on ostetud.



Euraasia vastavusmärk.



Ukraina vastavusmargis

KASUTUSJUHENDI SÜMBOLID



Eraldi ostetavad osad või tarvikud



Märkus



Hoiatus

Järgnevad märksõnad ja selgitused on mõeldud selle toote kasutamiseks seotud riskitasemete kirjeldamiseks.

OHT.

Viitab kohe tekkivale ohtlikule situatsioonile, mis, kui ei väldita, lõpeb surma või tõsise vigastusega.

HOIATUS

Viitab võimalikule ohtlikule situatsioonile, mis, kui ei väldita, võib lõppeda surma või tõsise vigastusega.

ETTEVAATUST

Viitab võimalikule ohtlikule situatsioonile, mis, kui ei väldita, võib lõppeda väiksemate või keskmiste vigastusega.

ETTEVAATUST

Ilma hoiatussümbolita

Osutab olukorrale, mis võib põhjustada varakahju.

Vodeću ulogu u dizajnu vašeg bežičnog trimera s reznom niti imaju sigurnost, performanse i pouzdanost.

NAMJENA

Bežični trimera s reznom niti smiju koristiti samo odrasle osobe koje su pročitale i razumjele uputstva i upozorenja u ovom priručniku i koje se mogu smatrati odgovornima za svoje postupke.

Ovaj uređaj namijenjen je samo za korištenje na otvorenom u dobro prozračenom prostoru. Iz sigurnosnih razloga proizvod se za vrijeme rukovanja uvijek držite pod kontrolom držeći ga s obje ruke.

Kada je opremljen glavom trimera za rezu nit (i odgovarajućim štitnikom), proizvod je namijenjen za košnju duge trave, mesnatog korova i slične vegetacije na razini zemlje ili blizu nje. Tijekom šišanja rezna ploha treba biti približno paralelna s površinom tla.

Proizvod se ne smije koristiti za rezanje ili obrezivanje živica, žbunja ili druge vegetacije gdje površina rezanja nije paralelna s površinom tla.

Nemojte koristiti oštricu u nikakvu drugu svrhu.

OPĆA SIGURNOSNA PRAVILA

⚠ UPOZORENJE

Pročitajte sva sigurnosna upozorenja i sve upute. Nepriдрžavanje upozorenja i uputa može izazvati strujni udar, požar i/ili ozbiljne ozljede.

⚠ UPOZORENJE

Prilikom korištenja proizvoda moraju se slijediti sigurnosna pravila. Radi vaše i sigurnosti ostalih promatrača, molimo vas da prije rada s proizvodom pročitate ove upute. Molimo vas da čuvate ovu uputu radi kasnijeg korištenja.

⚠ UPOZORENJE

Ovaj proizvod nije namijenjen za korištenje od strane djece ili osoba sa smanjenim fizičkim, psihičkim ili mentalnim mogućnostima. Djecu je potrebno odgovarajuće nadzirati kako bi se osiguralo da se ne igraju s proizvodom.

⚠ UPOZORENJE

Neke regije imaju pravila koja ograničavaju korištenje proizvoda. Provjerite kod lokalnih tijela za savjet.

OBUKA

- Pažljivo pročitajte upute. Upoznajte se sa svim upravljačkim elementima i pravilnim korištenjem proizvoda.
- Nikada nemojte dopustiti korištenje proizvoda djeci ili osobama koje nisu upoznate s uputama. Moguće je da lokalni propisi propisuju starosnu dob rukovatelja.
- Držite promatrače, djecu i kućne ljubimce 15 m dalje

od područja rada. Zaustavite proizvod ako bilo tko uđe u područje rada.

- Ne koristite proizvod ako ste umorni ili pod utjecajem droga, alkohola ili lijekova.
- Imajte na umu da je rukovatelj ili korisnik odgovoran za nezgode ili opasnosti koje nastanu drugim osobama ili njihovoj imovini.

PRIPREMA

- Kada radite s ovim proizvodom nosite zaštitu za oči i sluh. Ako radite u području gdje postoji opasnost od padajućih predmeta, morate nositi zaštitu za glavu.
- Zaštita za sluh može ograničiti sposobnost operatera da čuje zvukove upozorenja. Obratite posebnu pozornost na moguće opasnosti u okolini i unutar radnog područja.
- Nosite hlače s dugim nogavicama, čizme i rukavice. Nemojte nositi široku odjeću, kratke hlače, nakit bilo kakve vrste ili hodati bosonogi.
- Osigurajte dugu kosu na način da je iznad razine ramena kako biste spriječili zahvaćanje u pokretne dijelove.
- Prije korištenja i nakon svakog udara provjerite da nema oštećenih dijelova. Prekidač u kvaru ili bilo koji dio da je oštećen ili istrošen trebali biste pravilno popraviti ili zamijeniti od strane ovlaštenog servisnog centra.
- Provjerite da li je priključak za rezanje pravilno instaliran i čvrsto pritegnut.
- Nikada ne radite s proizvodom ako svi štitnici, deflektori i ručke nisu pravilno i čvrsto priključeni.
- Razmotrite okoliš u kome radite. Radno područje držite čistim od žica, štapova, kamenja i ostataka koji ako se zaglave mogu postati leteći predmeti.

KORIŠTENJE I BRIGA O AKU ALATU

- Punite samo s punjačem navedenim od proizvođača. Punjač koji je prikladan za jednu vrstu baterija može dovesti do opasnosti od požara kada se koristi s drugim baterijom.
- Koristite AKU alate samo s posebno naznačenim baterijama. Korištenje bilo kojih drugih baterija dovodi do opasnosti od ozljeda i požara.
- Kada se baterija ne koristi držite je dalje od drugih metalnih predmeta kao što su spajalice za papir, kovanice, ključevi, čavli, vijci ili drugi mali metalni predmeti koji mogu spojiti jedan pol na drugi. Kratki spoj polova baterije može izazvati opekotine ili požar.
- Pod uvjetima loma može doći do izbacivanja tekućine iz baterije, izbjegavajte kontakt. Ako dođe do nehotičnog kontakta, isperite to mjesto s vodom. Ako tekućina dospje u oči, dodatno potražite liječničku pomoć. Tekućina koja istječe iz baterije može dovesti do iritacije ili opekotina.

SIGURNOSNA UPOZORENJA AKUMULATORSKOG TRIMERA S REZOM NITI

- Nikada ne dopustite djeci, osobe smanjenih tjelesnih, osjetljivih ili mentalnih mogućnosti ili osoba koje ne raspolažu iskustvom ili osobama koj nisu upoznate s ovim uputama da koriste proizvod.



- Koristite proizvod po dnevnom svjetlu ili pri dobroj vještačkoj rasvjeti.
- Izbjegavajte raditi s uređajem u vlažnoj travi.
- Pravilan položaj nogu i ravnotežu održavajte u svakom trenutku i budite sigurni u položaj nogu na nagibima.
- Kada koristite proizvod ne hodajte unatrag. Hodajte, nemojte trčati.
- Nastavak glave držite ispod visine struka.
- Proizvod nikada ne koristite ako ima oštećene štitnike ili ako štitnici nisu na svojem mjestu.
- Nikada ne stavljajte metal umjesto silka.
- Sve vrijeme držite ruke i noge podalje od sredstva za šišanje, a posebno kada se uključuje motor.
- Oprez, sredstvo za rezanje nastavlja se okretati nakon isključivanja motora.
- Čuvajte se odbačenih premeta od flaksa. Očistite malene ostatke poput kamenčića, grumena i drugih stranih predmeta iz radnog područja prije rada. Žice ili flaks se mogu upetljati odrezenim komadima.
- Kako biste smanjili rizik od ozljeda zbog kontakta s pokretnim dijelovima, uvijek isključite proizvod, izvadite baterijski sklop i pustite da se ohladi. Provjerite da su svi pokretni dijelovi zaustavljeni:
 - prije servisiranja
 - prije uklanjanja blokade
 - prije provjere, čišćenja ili rada na uređaju
 - prije promjene pribora
 - nakon udaranja u strano tijelo
 - kada ostavljate proizvod bez nadzora
 - prilikom svakog održavanja
 - ako uređaj počne abnormalno vibrirati
- Kada radite s ovim proizvodom nosite zaštitu za oči i sluh. Ako radite u području gdje postoji opasnost od padajućih predmeta, morate nositi zaštitu za glavu.
- Zaštita za sluh može ograničiti sposobnost operatera da čuje zvukove upozorenja. Obratite posebnu pozornost na moguće opasnosti u okolini i unutar radnog područja.
- Nosite hlače s dugim nogavicama, čizme i rukavice. Nemojte nositi široku odjeću, kratke hlače, nakit bilo kakve vrste ili hodati bosonogi.
- Osigurajte dugu kosu na način da je iznad razine ramena kako biste spriječili zahvaćanje u pokretne dijelove.
- Mali nož montiran na sigurnosni štitnik dizajniran je za odsijecanje izvučene niti na ispravnu duljinu, za siguran i optimalan rad. Oštrica je vrlo oštra. Nemojte dirati oštricu, osobito prilikom čišćenja proizvoda.
- Osigurajte da su ventilacijski otvori uvijek čisti od krotina.
- Prije korištenja i nakon svakog udara provjerite da nema oštećenih dijelova. Prekidač u kvaru ili bilo koji dio da je oštećen ili istrošen trebali biste pravilno popraviti ili zamijeniti od strane ovlaštenog servisnog centra.
- Provjerite da li je priključak za rezanje pravilno instaliran i čvrsto pritegnut.
- Osigurajte da su svi štitnici, deflektori i ručke pravilno i čvrsto priključeni.

- Nemojte na nikakav način modificirati ovaj proizvod. Moglo bi doći do povećanja opasnosti od ozljeda po Vas ili druge osobe.
- Koristite samo proizvođačevu zamjenski flaks. Nemojte koristiti nikakav drugi priključak za rezanje.
- Odmah ga isključite i izvadite baterijski sklop u slučaju nesreće ili kvara. Proizvodom nemojte ponovno rukovati sve dok ga potpuno ne provjeri ovlašteni servisni centar.

⚠ UPOZORENJE

Prije svake uporabe uvjerite se da je nož za rezanje rezne niti u štitniku pravilno postavljen i učvršćen.

DODATNA SIGURNOSNA UPOZORENJA ZA BATERIJU

⚠ UPOZORENJE

Zbog izbjegavanja opasnosti od požara jednim kratkim spojem, opasnosti od ozljeda ili oštećenja proizvoda, alat, izmjenjivi akumulator ili napravu za punjenje ne uronjavati u tekućine i pobrinite se za to, da u uređaje ili akumulator ne prodiru nikakve tekućine. Korozirajuće ili vodljive tekućine kao slana voda, određene kemikalije i sredstva za bijeljenje ili proizvodi koji sadrže sredstva bijeljenja, mogu prouzročiti kratak spoj.

PRIJEVOZ I SKLADIŠTENJE

- Isključite proizvod, izvadite baterijski sklop i pustite ga da se ohladi prije skladištenja ili prevoženja.
- Očistite svaki strani materijal s uređaja.
- Ne skladištite i ne prevozite proizvod s ugrađenim baterijama. Izvadite baterijski sklop i zasebno ga pričvrstite. Skladištite ga na suhom i dobro ventiliranom mjestu koje nije pristupačno djeci. Držite proizvod podalje od korozivnih sredstva kao što su vrtna kemikalije i soli protiv zaleđivanja. Proizvod ne čuvajte na otvorenom.
- Za prijevoz, osigurajte uređaj protiv pomicanja ili pada kako biste spriječili povrede osoba ili oštećenja na uređaju.

TRANSPORTIRANJE LITIJUMSKIH BATERIJA

Transportirajte bateriju u skladu s lokalnim i nacionalnim pravima i zakonima. Slijedite sve specijalne zahtjeve na pakiranju i naljepnicama prilikom transporta baterije od treće strane.

Osigurajte da baterija ne može doći u kontakt s drugim baterijama ili provodnim materijalima tijekom transporta tako da zaštitite izložene priključke s izolacijom, kapticama koje ne provode energiju ili trakom. Nemojte transportirati baterije koje su polomljene ili cure. Provjerite kod kompanije koji transportirate za daljnju pomoć.



ODRŽAVANJE

⚠ UPOZORENJE

Koristite samo originalne zamjenske dijelove, dodatni pribor i priključke od proizvođača. Nepoštivanje ovih uputa može dovesti do mogućih ozljeda, loše učinkovitosti i može dovesti do poništenja jamstva.

⚠ UPOZORENJE

Servisiranje iziskuje krajnju pažnju i znanje i treba da ga vrši samo kvalificirani serviser. Neka se proizvod servisira samo u ovlaštenom servisnom centru. Prilikom servisiranja, koristite samo originalne zamjenske dijelove od proizvođača.

- Prije provođenja bilo kakvih radova održavanja ili čišćenja, isključite i uklonite komplet baterija.
- Možete samo vršiti podešavanje ili popravke opisane u ovom manualu. Za ostale popravke ili savjete, potražite pomoć ovlaštenog servisnog centra.
- Za zamjenski flaks koristite samo najlonski flaks promjera koji je opisan u tablici specifikacija u ovom priručniku.
- Nakon produljenja novog flaksa prije uključivanja uvijek proizvod vratite u njegov uobičajeni radni položaj.
- Nakon svakog korištenja proizvod obrišite sa suhom mekom krpom. Svaki oštećeni dio trebao bi pravilno popraviti ili zamijeniti ovlašteni servisni centar.
- Prije svake upotrebe i u čestim vremenskim intervalima provjeravajte jesu li sve matice, svornjaci i vijci dobro zategnuti kako biste bili sigurni da se proizvod nalazi u sigurnom radnom stanju. Svaki oštećeni dio trebao bi pravilno popraviti ili zamijeniti ovlašteni servisni centar.
- Za zamjenu oštećenih ili nečitljivih naljepnica vratite proizvod u ovlašteni servisni centar.

OSTALE OPASNOSTI

Čak i kad je proizvod korišten kao što je prethodno opisano, još uvijek nije moguće potpuno isključiti ostale čimbenike opasnosti. Može doći do sljedećih opasnosti tijekom korištenja i operater mora obratiti posebnu pozornost kako bi izbjegao sljedeće:

- Ozljede uzrokovane vibracijom
 - Držite proizvod za označene ručke i ograničite radno vrijeme i izloženost.
- Ozljede uzrokovane bukom
 - Nosite zaštitu za sluh i ograničite izloženost
- Ozljeda prouzročena letećim krhotinama.
 - Cijelo vrijeme nosite sredstva za zaštitu očiju.

SMANJENJE OPASNOSTI

Prijavljeno je da vibracije alata koje se drži u ruci kod određenih pojedinaca mogu doprinijeti stanju pod nazivom Raynaud's Syndrome. Simptomi mogu uključivati trnce, ukočenost i bjelinu prstiju, obično uočljivo po izlaganju hladnoći. Smatra se da nasljedne osobine, izlaganje

hladnoći i vlazi, dijeta, pušenje i radni postupci pridonose razvoju ovih simptoma. Postoje mjere koje operator može poduzeti kako bi smanjio moguće učinke vibracije:

- Održavajte svoje tijelo toplim u hladnim vremenskim uvjetima. Kad radite s proizvodom nosite rukavice kako biste ruke i zglobove održavali toplima. Prijavljeno je da je hladnoća glavni čimbenik koji doprinosi Raynaud's Syndrome.
- Nakon svakog perioda rada vježbajte kako biste povećali cirkulaciju krvi.
- Uzimajte česte stanke u radu. Ograničite količinu izlaganja po danu.

Ako osjetite neke od simptoma ovog stanja, odmah prekinite korištenje i obratite se svome liječniku vezano uz ove simptome.

⚠ UPOZORENJE

Povrede mogu biti uzrokovane ili zadobivene produljenim korištenjem alata. Kada koristite bilo koji alat dulje vremena, osigurajte da uzimate povremene stanke.

UPOZNAJTE SVOJ PROIZVOD

Pogledajte stranicu 109.

Dijelovi

1. Priključak na bateriju
2. Stražnja ručica
3. Okidač za otključavanje
4. Sklopka za promjenjivu brzinu
5. Punjač
6. Kabel za punjenje
7. Baterija
8. Gumb za zasun baterije
9. Poklopac kalema
10. Kalem
11. Flaks
12. Oštrica za rezanje flaksa
13. Deflektor za travu
14. Donja osovina
15. Prednja ručka

SIMBOLI NA PROIZVODU



Prije rada s proizvodom morate pročitati i razumjeti sve upute. Slijedite sva upozorenja i sigurnosne upute.



Nosite sredstva za zaštitu očiju



Nosite zaštitu za sluh



Nosite obuću protiv klizanja prilikom korištenja ovog proizvoda.



Nemojte koristiti metalne oštrice na proizvodu.



Ne izlažite kiši ili vlažnim uvjetima.



Čuvajte se odbačenih ili letećih predmeta. Držite sve promatrače naročito djecu i kućne ljubimce, na udaljenosti najmanje 15 m od radnog područja.



Držite ruke dalje od oštrica.



Držite ruke dalje od oštrica.



Molimo da pažljivo pročitate upute prije pokretanja stroja.



Jamčena razina zvučne snage 92 dB.



Otpadni električni proizvodi ne treba da se odlažu s otpadom iz domaćinstva. Molimo da reciklirate gdje je to moguće. Potražite savjet od lokalnih vlasti ili prodavca kako reciklirati.



Ovaj alat usklađen je sa svim normama i propisima zemlje Europske unije u kojoj je kupljen.



EurAsian znak konformnosti.



Ukrajinska oznaka za sukladnost

⚠ UPOZORENJE

Ukazuje na moguću opasnu situaciju, koja, ukoliko se ne izbjegne, može rezultirati manjim ili blažim povredama

UPOZORENJE

Bez sigurnosnog simbola upozorenja

Naznačuje situaciju koja može rezultirati oštećenjem imovine.

SIMBOLI U OVOM PRIRUČNIKU



Dijelovi ili pribor prodan odvojeno



Napomena



Upozorenje

Sljedeće signalne riječi i značenja namijenjeni su objašnjenju razina opasnosti koje su vezane uz ovaj proizvod:

⚠ OPASNOST

Ukazuje na neposrednu opasnu situaciju, koja, ukoliko se ne izbjegne, može rezultirati smrću ili opasnim povredama

⚠ UPOZORENJE

Ukazuje na moguću opasnu situaciju, koja, ukoliko se ne izbjegne, može rezultirati smrću ili opasnim povredama

Brezžična nitna kosilnica je zasnovana za zagotavljanje najvišje ravni varnosti, učinkovitosti in zanesljivosti delovanja.

NAMEN UPORABE

Brezžično nitno kosilnico lahko uporabljajo samo odrasli, ki so prebrali in razumejo navodila ter opozorila v tem priročniku in lahko odgovarjajo za svoja dejanja.

Izdelek je namenjen le za uporabo na prostem in v dobro zračenih prostorih. Zaradi varnosti je zahtevano dvoročno krmiljenje naprave.

Če ima izdelek nameščeno glavo nitne kosilnice (in ustrezen ščitnik), je primeren za košnjo visoke trave, močnega plevela in podobnega rastlinja na tleh ali v bližini tal. Rezalna ploskev mora biti med košnjo približno vzporedna s površino tal.

Izdelka se ne sme uporabljati za obrezovanje živih mej, grmovja ali drugega rastlinja, kjer obrezovalna raven ni vzporedna s tlemi.

Za druge namene ga ne uporabljajte.

SPLOŠNA VARNOSTNA OPOZORILA

⚠ OPOZORILO

Preberite vsa varnostna opozorila in navodila. Zaradi neupoštevanja opozoril in navodil lahko pride do električnega udara, požara in/ali resnih poškodb.

⚠ OPOZORILO

Med uporabo stroja upoštevajte varnostna navodila. Za svojo varnost in varnost drugih oseb preberite ta navodila pred uporabo izdelka. Shranite navodila za poznejšo uporabo.

⚠ OPOZORILO

Izdelek ni namenjen za uporabo s strani otrok ali oseb z zmanjšanimi fizičnimi, duševnimi ali senzoričnimi zmoglostmi. Otroke nenehno primerno nadzorujte, da se ne bodo igrali z napravo.

⚠ OPOZORILO

Predpisi nekaterih regij omejujejo uporabo tega izdelka. Za nasvet se obrnite na lokalne oblasti.

URJENJE

- Pazljivo preberite navodila. Seznanite se z vsemi krmilnimi elementi in pravilno uporabo izdelka.
- Nikoli ne pustite, da bi izdelek uporabljali otroci ali osebe, ki niso seznanjene s temi navodili za uporabo. Lokalni predpisi se morda nanašajo tudi na minimalno starost upravitelja.
- Prisotni, otroci in živali naj bodo vsaj 15 m oddaljeni od delovnega območja. Ugasnite izdelek, če kdo vstopi v območje.

- Ne uporabljajte izdelka, če ste utrujeni, bolni ali pod vplivom drog, alkohola ali zdravil.
- Pomnite, da je upravitelj oz. uporabnik odgovoren za nesreče ali nevarnosti, ki se pripetijo ostalim ljudem ali njihovi lastnini.

PRIPRAVA

- Pri uporabi izdelka vedno nosite popolno zaščito za oči in sluh. Pri delu na območju, kjer obstaja tveganje za padajoče predmete, morate nositi zaščito za glavo.
- Upravitelj morda zaradi opreme za zaščito sluha ne bo slišal opozorilnih zvokov. Bodite še posebej pozorni na morebitne nevarnosti okrog delovnega območja in znotraj njega.
- Nosite trdne, dolge hlače, škornje in rokavice. Ne nosite ohlapnih oblačil, kratkih hlač, nobenega nakita in ne uporabljajte bosih.
- Dolge lase si spnite nad rameni in tako preprečite njihovo ujetje v premikajoče se dele.
- Pred uporabo in po vsakem udarcu se prepričajte, da ni poškodovanih delov. Okvarjeno stikalo ali drug del, ki je poškodovan ali obrabljen, morate ustrezno popraviti ali zamenjati pri pooblaščenem serviserju.
- Prepričajte se, da je rezalna glava ustrezno nameščena in trdno pritrjena.
- Izdelka nikoli ne uporabljajte, če vse zaščite, ščitniki in ročaj niso pravilno in čvrsto nameščeni.
- Pazite na okolje, v katerem delate. Na delovnem območju ne sme biti žic, palic, kamenja ali drugih predmetov, ki bi lahko leteli naokrog, če bi jih zadel rezalnik.

UPORABA IN VZDRŽEVANJE BATERIJSKEGA ORODJA

- Baterijo polnite le s polnilnikom, ki ga določa proizvajalec. Polnilnik, ki ustreza eni vrsti baterij, morda lahko povzroči požar, če z njim polnite drugo vrsto baterij.
- Baterijska orodja uporabljajte samo s predpisano vrsto baterij. Uporaba katerih koli drugih baterij ustvari tveganje poškodb in požara.
- Ko baterije ne uporabljajte, pazite, da bo odmaknjena od kovinskih predmetov, kot so papirne sponke, kovanci, ključji, žebliji, vijaki ali drugih majhni kovinski predmeti, ki bi lahko povzročili povezavo med obema terminaloma. Kratak stik zaradi povezanih terminalov baterije lahko povzroči opekline ali požar.
- Ob zlorabi baterije lahko iz nje steče tekočina. Če se po nesreči dotaknete tekočine, mesto dotika sperite z vodo. Če pride tekočina v stik z očmi, poiščite zdravstveno pomoč. Tekočina, ki izteče iz baterije, lahko povzroči vnetje ali opekline.

VARNOSTNA OPOZORILA ZA BREZŽIČNO NITNO KOSILNICO

- Nikoli ne dovolite otrokom, osebam z zmanjšanimi fizičnimi, senzoričnimi ali mentalnimi zmoglostmi ali osebam s pomanjkanjem izkušenj ali znanja ter osebam, ki niso seznanjene s temi navodili, da uporabljajo izdelek.



- Uporabljajte izdelek pri dnevni svetlobi ali dobri umetni svetlobi.
- Naprave ne uporabljajte v mokri travi.
- Poskrbite, da trdno stojite in vzdržujete ravnotežje ter da trdno stojite tudi na pobočjih.
- Kadar uporabljate ta izdelek, ne hodite vzvratno. Vedno hodite, nikoli ne tecite.
- Glava izdelka naj bo vedno pod višino pasu.
- Ne uporabljajte izdelka, če ima poškodovane ščitnike oziroma ščitniki niso nameščeni.
- Nikoli ne nameščajte kovinske nadomestne nitke.
- Roke in noge stalno držite proč od rezalnih delov, še posebej ko izklapljate motor.
- Bodite previdni, saj se mehanizem za rezanje še naprej obrača, ko izključite motor.
- Pazite na predmete, ki jih odmetava rezalni del. Z delovnega območja odstranite ostanke, kot so kamenčki, gramoz in drugi tujki, preden začnete z delom. Žice ali vrvice se lahko ujamejo v rezila.
- Za zmanjšanje nevarnosti poškodbe zaradi stika s premikajočimi se deli izdelek vedno izklopite in odstranite baterijski vložek ter počakajte, da se ohladi. Prepričajte se, da so se vsi premikajoči se deli popolnoma zaustavili:
 - preden opravite servis
 - preden odstranite zamašek
 - pred preverjanjem in čiščenjem izdelka ali delom na njem,
 - preden menjate dodatke
 - zatem ko udarite ob tuj predmet
 - ko pustite izdelek brez nadzora
 - med vzdrževanjem
 - če izdelek začne nenormalno vibrirati
- Pri uporabi izdelka vedno nosite popolno zaščito za oči in sluh. Pri delu na območju, kjer obstaja tveganje za padajoče predmete, morate nositi zaščito za glavo.
- Upravljavec morda zaradi opreme za zaščito sluha ne bo slišal opozorilnih zvokov. Bodite še posebej pozorni na morebitne nevarnosti okrog delovnega območja in znotraj njega.
- Nosite trdne, dolge hlače, škornje in rokavice. Ne nosite ohlapnih oblačil, kratkih hlač, nobenega nakita in ne uporabljajte bosih.
- Dolge lase si spnite nad rameni in tako preprečite njihovo ujetje v premikajoče se dele.
- Manjše rezilo, nameščeno na varovalo, je zasnovano za rezanje nove podaljšane nitke na dolžino, ki omogoča varno in optimalno delovanje. Rezilo je zelo ostro. Ne dotikajte se rezila, predvsem med čiščenjem izdelka.
- Poskrbite, da bodo prezračevalne odprtine vedno proste.
- Pred uporabo in po vsakem udarcu se prepričajte, da ni poškodovanih delov. Okvarjeno stikalo ali drug del, ki je poškodovan ali obrabljen, morate ustrezno popraviti ali zamenjati pri pooblaščenem serviserju.
- Prepričajte se, da je rezalna glava ustrezno nameščena in trdno pritrjena.

- Prepričajte se, da so vsa varovala, deflektorji in ročaji pravilno in trdno pritrjeni.
- Výrobok žiadnym spôsobom neupravujte. Nepoplna pritržitev lahko poveča tveganje poškodb za vas in druge.
- Uporabljajte le originalno nadomestno rezalno vrstico. Ne uporabljajte nobenih drugih rezalnih pripomočkov.
- V primeru nesreče ali okvare izdelek takoj izklopite in odstranite baterijski vložek. Kosilnice ne uporabljajte, dokler je v celoti ne pregledajo na pooblaščenem servisu.

⚠ OPOZORILO

Pred vsako uporabo se prepričajte, da je rezilo za rezanje vrvice v varovalu ustrezno nameščeno in zavarovano.

DODATNA VARNOSTNA OPOZORILO ZA BATERIJO

⚠ OPOZORILO

V izogib, s kratkim stikom povzročene nevarnosti požara, poškodb ali okvar na proizvodu, orodja, izmenljivega akumulatorja ali polnilne naprave ne potaplajte v tekočine in poskrbite, da ne bi prihajalo do vdora tekočin v naprave in akumulatorje. Korozivne ali prevodne tekočine, kot so slana voda, določene kemikalije in belila ali proizvodi, ki le ta vsebujejo, lahko povzročijo kratek stik.

TRANSPORT IN SHRANJEVANJE

- Pred shranjevanjem ali transportom izdelka izdelek izklopite, odstranite baterijski vložek in počakajte, da se ohladi.
- Očistite vse tujke z izdelka.
- Ne shranjujte in ne prevažajte izdelka z nameščenimi baterijami. Odstranite baterijski vložek in ga pritržite ločeno. Shranite jo na suhem in dobro prezračujem mestu, ki ni na dosegu otrok. Shranjujte proč od korozivnih sredstev, kot so vrtno kemikalije in soli za topljenje ledu. Izdelka ne shranjujte na prostem.
- Za transport zavarujte izdelek pred premiki ali padci, da preprečite poškodbe oseb ali izdelka.

PRENAŠANJE LITJEVIH BATERIJ

Baterije prevažajte v skladu z lokalnimi in državnimi uredbami in predpisi. Upošteвайте vse posebne zahteve glede pakiranja in označevanja, kadar prevoz opravlja tretja oseba.

Zagotovite, da baterije med prevozom ne morejo priti v stik z drugimi baterijami ali prevodnimi materiali tako, da zaščitite izpostavljene konektorje z izolacijo, neprevodnimi pokrovi ali trakom. Ne prevažajte poškodovanih baterij oz. baterij, ki puščajo. Za nadaljnje informacije se obrnite na posredovalno podjetje.



VZDRŽEVANJE

⚠ OPOZORILO

Uporabljajte le originalne rezervne dele in dodatke, ki jih priporoča proizvajalec. V nasprotnem primeru naprava lahko slabo deluje, povzroči poškodbe, garancija pa ne velja več.

⚠ OPOZORILO

Servisiranje zahteva posebno pozornost in znanje in naj jo zato opravlja samo izurjeni servisni tehnik. Izdelek naj servisirajo izključno v pooblaščenem servisnem centru. Pri servisiranju uporabljajte samo originalne nadomestne dele.

- Pred vzdrževanjem ali čiščenjem izklopite baterijski sklop in ga odstranite.
- Opravite lahko samo tukaj navedene prilagoditve ali popravila. Za druga popravila ali nasvete se posvetujte s pooblaščenim storitvenim centrom.
- Za nadomestno nitko uporabljajte samo nitko iz najlonskih vlaken s premerom, ki je opisan v tabeli s tehničnimi podatki v tem priročniku.
- Po menjavi rezalne vrvice vedno preklopite napravo v normalno delovno stanje, preden jo znova zaženete.
- Po vsaki uporabi izdelek očistite z mehko in suho krpo. Vsak poškodovani del mora ustrezno popraviti ali zamenjati pooblaščen servisni center.
- Pred vsako uporabo in nato v rednih intervalih preverite, da so vse matice, sorniki in vijaki ustrezno pritihi ter da je izdelek varen za uporabo. Vsak poškodovani del mora ustrezno popraviti ali zamenjati pooblaščen servisni center.
- Poškodovane ali nečitljive nalepke naj zamenjajo v pooblaščenem servisnem centru.

REZIDUALNA TVEGANJA

Tudi če izdelek uporabljate tako, kot je predpisano, še vedno ne moremo izključiti določenih preostalih dejavnikov tveganja. Med uporabo se lahko pojavijo naslednje nevarnosti, upravljavec pa naj bo pozoren na naslednje:

- Poškodbe zaradi vibracij
 - Izdelek držite za temu namenjene ročaje ter omejite čas uporabe in izpostavljenosti.
- Poškodbe, ki jih povzroči hrup
 - Nosite zaščito za sluh in omejite izpostavljenost
- Obstaja nevarnost poškodbe zaradi letečih delcev.
 - Vedno nosite zaščito za oči.

ZMANJŠANJE TVEGANJA

Ugotovljeno je bilo, da lahko pri nekaterih posameznikih vibracije ročnih orodij povzročijo Raynaudov sindrom. Simptomi so lahko mravljinca, otrplost in pobeljeni prsti, kar je običajno vidno, kadar je oseba izpostavljena mrazu. Dedni dejavniki, izpostavljenost mrazu in vlagi, dieta, kajenje in delovne navade naj bi pripomogle k razvoju

teh simptomov. Za zmanjšanje učinkov vibracij lahko upravljavec upošteva naslednja navodila:

- Poskrbite, da bo vaše telo na mrazu toplo. Med upravljanjem nosite rokavice in tako ohranjajte toploto vaših dlani in zapestij. Kot poročajo, je mraz glavni dejavnik, ki prispeva k Raynaudovemu sindromu.
- Po vsakem obdobju upravljanja naprave telovadite in tako pospešite krvni obtok.
- Pogosto si vzemite odmor. Omejite dnevno količino izpostavljenosti.

Če zaznavate kakršne koli simptome takšnega stanja, takoj prenehajte z uporabo naprave in se o simptomih posvetujte z zdravnikom.

⚠ OPOZORILO

Daljša uporaba orodja lahko privede do poškodb ali pa so poškodbe lahko hujše. Kadar orodje uporabljate dalj časa, si večkrat vzemite odmor.

SPOZNAJTE SVOJ IZDELEK

Glejte stran 109

Deli

1. Odprtina za baterijo
2. Zadnji ročaj
3. Zaklepna tipka
4. Ročica za uravnavanje hitrosti
5. Polniliec
6. Kabel polnilnika
7. Akumulator
8. Gumb zapaha za baterijo
9. Pokrov vretena
10. Vreteno
11. Rezilna nitka
12. Rezilno za rezanje nitke
13. Deflektor trave
14. Spodnja gred
15. Sprednji ročaj

SIMBOLI NA IZDELKU



Pred uporabo izdelka preberite in razumite vsa navodila. Upošteвайте vsa opozorila in varnostna navodila.



Nosite zaščito za oči



Nosite zaščito za ušesa



Ko uporabljate izdelek, nosite zaščitno obutev, ki ne drsi.



Z izdelkom ne uporabljajte kovinskih rezil.



Ne izpostavljajte ga dežju ali vlagi.



Pazite na izvržene ali leteče predmete. Prisotni (še posebej otroci in živali) naj bodo med obratovanjem oddaljeni vsaj 15 m od delovnega območja.



Roke držite proč od rezil.



Roke držite proč od rezil.



Prosimo, da si pred zagonom naprave pozorno preberete navodila.



Zajamčena raven zvočne moči je 92 dB.



Odpadne električne izdelke odlagajte skupaj z ostalimi gospodinjskimi odpadki. Reciklažo opravljajte na predpisanih mestih. Za reciklažni nasvet se obrnite na lokalne oblasti.



Ustreza vsem predpisanim standardom v državi članici EU, kjer je bil kupljen izdelek.



EurAsian oznaka o skladnosti.



Ukrajinska oznaka za skladnost

SIMBOLI V TEM PRIROČNIKU



Deli ali dodatki so na prodaj ločeno



Opomba



Opozorilo

Naslednje besedne oznake in njihovi pomeni služijo za razlago stopnje tveganja pri uporabi izdelka.

NEVARNOST

Označuje neizbežno tvegano stanje, ki če se ji ne izognete lahko povzroči smrt ali resno poškodbo.

OPOZORILO

Označuje morebitno tvegano stanje, ki če se ji ne izognete lahko povzroči smrt ali resno poškodbo.

POZOR

Označuje morebitno tvegano stanje, ki če se mu ne izognete lahko povzroči manjšo ali srednje resno poškodbo.

POZOR

Brez simbola za varnostno opozorilo

Prikazuje situacijo, ki lahko povzroči materialno škodo.





Pri návrhu akumulátorovej strunovej kosačky boli maximálnou prioritou bezpečnosť, výkon a spoľahlivosť.

ÚČEL POUŽITIA

Akumulátorová strunová kosačka je určená len na používanie osobami, ktoré si prečítali a rozumejú pokynom a výstrahám v tejto príručke, a sú za svoje činnosti zodpovedné.

Tento produkt je určený výhradne na použitie v exteriéri a v dobre vetraných priestoroch. Z bezpečnostných dôvodov musí byť krovínorez náležite ovládaný pomocou oboch rúk.

Výrobok vybavený strunovou hlavou kosačky (a príslušným ochranným krytom) je určený na kosenie dlhej trávy, dužinatej buriny a podobnej vegetácie na povrchu zeme alebo blízko povrchu zeme. Rovina kosenia musí byť pri kosení približne rovnobežná s povrchom zeme.

Tento produkt sa nesmie používať na strihanie či orezávanie živých plotov, kríkov či inej vegetácie, kde rezná rovina nie je rovnobežná s povrchom zeme.

Nepoužívajte na žiadne iné účely.

VŠEOBECNÉ BEZPEČNOSTNÉ VÝSTRAHY

⚠ VAROVANIE

Prečítajte si všetky bezpečnostné výstrahy a pokyny. Pri nedodržaní týchto výstrah a pokynov môže dôjsť k úrazu elektrickým prúdom, požiaru a/alebo závažnému poraneniu.

⚠ VAROVANIE

Pri používaní tohto produktu sa musia dodržiavať bezpečnostné zásady. Pre vašu vlastnú bezpečnosť a bezpečnosť okolostojacich osôb si pred použitím produktu prečítajte tento návod. Odložte si návod na neskoršie použitie.

⚠ VAROVANIE

Produkt nie je určený na použitie deťmi alebo osobami so zníženými fyzickými, duševnými alebo zmyslovými schopnosťami. Deti musia byť pod primeraným dozorom, aby sa nemohli s produktom hrať.

⚠ VAROVANIE

Niektoré regióny majú nariadenia, ktoré obmedzujú použitie produktu. Poradte sa s miestnym úradom.

ŠKOLENIE

- Pozorne si prečítajte pokyny. Oboznámte sa s ovládacími prvkami a správnu obsluhu produktu.
- Nikdy nedovoľte používať produkt deťom ani osobám, ktoré nie sú oboznámené s týmto návodom. Miestne platné predpisy môžu obmedzovať dobu použitia kosačky.

- Okolostojace osoby, deti a domáce zvieratá, musia stáť min. 15 m od pracovného priestoru. Ak nejaká osoba vstúpi do pracovného priestoru, zastavte produkt.
- Výrobok nepoužívajte, ak ste unavení, chorí alebo pod vplyvom drog, alkoholu či liekov.
- Užívateľ alebo obsluha stroja sú zodpovední za nehody alebo škody na majetku a za nebezpečenstvo vzniknuté pri prevádzke stroja.

PRÍPRAVA

- Pri práci s týmto zariadením používajte chrániče zraku a sluchu. Pri práci v priestore, kde existuje riziko pádu predmetov, používajte ochranu hlavy.
- Ochrana sluchu môže obmedziť schopnosť obsluhujúceho počuť výstražné zvuky. Venujte zvýšenú pozornosť potenciálnym rizikám v pracovnom priestore a jeho okolí.
- Noste hrubé a dlhé nohavice, topánky a rukavice. Nenoste voľné pohodlné oblečenie, krátke nohavice, bižutériu žiadneho druhu, ani nepracujte bosí.
- Dlhé vlasy zaistite, aby boli nad úrovňou pliec a nedošlo tak k ich zamotaniu do pohyblivých dielov.
- Pred použitím a po každom náraze skontrolujte, či nie sú nejaké diely poškodené. Chybný spínač či akýkoľvek iný diel, ktorý je poškodený alebo opotrebovaný, je potrebné náležite opraviť alebo vymeniť v autorizovanom servisnom zariadení.
- Skontrolujte, či je rezný nástavec správne namontovaný a bezpečne upnutý.
- Nikdy nepoužívajte produkt, kým nie sú správne a bezpečne nasadené všetky ochranné kryty, odchyľovače a rukoväte.
- Berte ohľad na prostredie, v ktorom pracujete. Z pracoviska odstráňte všetky drôty, paličky, drevka, kamene a sutinu, ktoré by sa mohli pri zásahu nožom vymrštiť.

POUŽÍVANIE AKUMULÁTORA A STAROSTLIVOSŤ OŇ

- Nabíjajte len s použitím nabíjačky špecifikovanej výrobcem. Nabíjačka, ktorá je vhodná pre jeden typ jednotky akumulátora, môže pri použití s inou jednotkou akumulátora spôsobiť riziko požiaru.
- Používajte len mechanické nástroje so špecificky určenými jednotkami akumulátorov. Pri použití iných jednotiek akumulátora vzniká riziko poranenia a požiaru.
- Keď sa jednotka akumulátora nepoužíva, nedávajte ju do blízkosti iných kovových objektov, ako sú papierové sponky, mince, kľúče, klince, skrutky či iné malé kovové predmety, ktoré by mohli skratovať svorky. Pri skratovaní svoriek akumulátora môže dôjsť k popáleninám alebo požiaru.
- Za nevhodných podmienok, keď by z batérie vytekala kvapalina, predchádzajte kontaktu s ňou. Pri náhodnom kontakte opláchnite vodou. Ak tekutina zasiahne oči, dodatočne vyhľadajte lekársku pomoc. Tekutina vytečená z akumulátora môže spôsobiť podráždenie alebo popálenie.



BEZPEČNOSTNÉ VÝSTRAHY PRE AKUMULÁTOROVÝ STRUNOVÝ VÝŽIŇAČ

- Nikdy nedovoľte deťom, osobám so zníženými fyzickými, duševnými alebo zmyslovými schopnosťami alebo s nedostatočnými skúsenosťami a znalosťami alebo osobám, ktoré nie sú oboznámené s týmto návodom, používať produkt.
- Produkt používajte za denného svetla alebo pri dobrom umelom osvetlení.
- Nepoužívajte nástroj v mokrej tráve.
- Vždy zachovávajte správny postoj a rovnováhu a na svahoch zaujmite správny postoj.
- Pri používaní produktu nekráčajte dozadu. Chodte krokom, nikdy nebežte.
- Príslušenstvo hlavy držte pod úrovňou pásu.
- Nikdy nepoužívajte výrobok, ak sú jeho chrániče poškodené alebo nie sú namontované v správnej polohe.
- Nikdy nenasadzujte kovový náhradný drôt.
- Neustále, najmä pri zapínaní motora, držte ruky a nohy mimo dosahu rezných prostriedkov.
- Pozor, rezné zariadenia pokračujú v rotácii aj po vypnutí motora.
- Pozor na objekty vymrštené rezným nástrojom. Pred začatím práce odstráňte z pracoviska kameňky, štrky a ostatné cudzie predmety. Do rezných zariadení sa môžu zamotať vodiče alebo vlákna.
- Aby ste znížili riziko poranenia spojeného s kontaktom s pohyblivými časťami, výrobok vždy vypnite, vyberte z neho súpravu batérií a nechajte ich vychladnúť. Skontrolujte, či sa všetky pohyblivé diely úplne zastavili:
 - pred vykonávaním servisu
 - pred odstránením zablokovania
 - pred kontrolou, čistením alebo prácou na zariadení
 - pred výmenou príslušenstva
 - po narazení na cudzí predmet
 - pri ponechaní produktu bez dozoru
 - pri každom vykonávaní údržby
 - ak zariadenie začne neštandardne vibrovať
- Pri práci s týmto zariadením používajte chrániče zraku a sluchu. Pri práci v priestore, kde existuje riziko pádu predmetov, používajte ochranu hlavy.
- Ochrana sluchu môže obmedziť schopnosť obsluhujúceho počuť výstražné zvuky. Venujte zvýšenú pozornosť potenciálnym rizikám v pracovnom priestore a jeho okolí.
- Noste hrubé a dlhé nohavice, topánky a rukavice. Nenoste voľné pohodlné oblečenie, krátke nohavice, bižutériu žiadneho druhu, ani nepracujte bosí.
- Dlhé vlasy zaistite, aby boli nad úrovňou pliec a nedošlo tak k ich zamotaniu do pohyblivých dielov.
- Malý nôž, vsadený do ochranného krytu, je určený na zastríchnutie nového vysunutého vlákna na správnu dĺžku pre bezpečnú a optimálnu prevádzku. Čepel je veľmi ostrá. Najmä počas čistenia výrobku sa nedotýkajte čepele.

- Vždy skontrolujte, či vetracie otvory nie sú upchaté úlomkami.
- Pred použitím a po každom náraze skontrolujte, či nie sú nejaké diely poškodené. Chybný spínač či akýkoľvek iný diel, ktorý je poškodený alebo opotrebovaný, je potrebné náležite opraviť alebo vymeniť v autorizovanom servisnom zariadení.
- Skontrolujte, či je rezný nástavec správne namontovaný a bezpečne upnutý.
- Skontrolujte, či sú všetky kryty, odchyľovače a rukoväte bezpečne nasadené.
- Izdelka na noben način ne spreminajte. Toto môže zvýšiť riziko vášho poranenia alebo poranenia iných osôb.
- Používajte len náhradné rezné vlákno výrobcu. Nepoužívajte žiadne iné rezné nástavce.
- V prípade nehody alebo poškodenia okamžite výrobok vypnite a vyberte z neho súpravu batérií. Nepoužívajte výrobok znovu, pokiaľ nebude úplne skontrolovaný autorizovaným servisným strediskom.

VAROVANIE

Pred každým použitím sa uistite, že nôž na orezávanie vlákna v ochrannom kryte je správne vložený a zaistený.

DOPLNKOVÉ BEZPEČNOSTNÉ VÝSTRAHY PRE BATÉRIU

VAROVANIE

Aby ste zabránili nebezpečenstvu požiaru spôsobeného skratom, poraneniam alebo poškodeniam výrobku, neponárajte náradie, výmennú batériu alebo nabíjačku do kvapalín a postarajte sa o to, aby do zariadení a akumulátorov nevnikli žiadne tekutiny. Korodujúce alebo vodivé kvapaliny, ako je slaná voda, určité chemikálie a bieliacie prostriedky alebo výrobky, ktoré obsahujú bieliadlo, môžu spôsobiť skrat.

PREPRAVA A SKLADOVANIE

- Pred uskladnením alebo dopravou výrobok vypnite, vyberte z neho súpravu batérií a nechajte ho vychladnúť.
- Odstráňte zo zariadenia všetky cudzie materiály.
- Výrobok neskladujte ani neprepravujte s vloženými batériami. Vyberte súpravu batérií a samostatne zaistite. Odložte ho na suché a dobre vetrané miesto, na ktoré nemajú prístup deti. Nedávajte zariadenie do blízkosti korozívnych činidiel, ako sú záhradné chemikálie a rozmrazovacie soli. Výrobok neuchovávajte vonku.
- Pri preprave zaistite produkt pred pohybom alebo pádom, aby nedošlo k poraneniu osôb alebo poškodeniu produktu.



PREPRAVA LÍTIOVÝCH AKUMULÁTOROV

Akumulátory prepravujte v súlade s miestnymi smernicami a nariadeniami. Keď akumulátory prepravuje tretia strana, dodržiavajte všetky požiadavky na balení a označení.

Zabezpečte, aby počas prepravy akumulátory neprišli do kontaktu s inými akumulátormi ani vodivými materiálmi – chráňte obnažené konektory pomocou izolácie, nevodivými viečkami alebo páskou. Neprepravujte akumulátory, ktoré sú prasknuté alebo vytekajú. Ďalšie pokyny zistíte u nasledujúcej spoločnosti.

ÚDRŽBA

VAROVANIE

Používajte len originálne náhradné diely, príslušenstvo a nástavce výrobcu. V opačnom prípade môže dôjsť k možnému poraneniu, nedostatočnému výkonu a strate platnosti záruky.

VAROVANIE

Údržba vyžaduje extrémnu starostlivosť a znalosti, a musí byť prevádzkaná výhradne v autorizovanom servise. Servis výrobku zverte len autorizovanému servisnému stredisku. Pri servise používajte len originálne náhradné diely výrobcu.

- Vypnite a vyberte sadu batérií pred vykonávaním akejkoľvek údržby alebo čistenia.
- Môžete vykonávať len úpravy alebo opravy popísané v tejto príručke. Pri ostatných opravách alebo ak potrebujete radu, vyhľadajte pomoc v autorizovanom servisnom centre.
- Pri výmene drôtu používajte len nylonové drôtené vlákno s priemerom predpísaným v tabuľke špecifikácií tejto príručky.
- Po predĺžení nového rezného drôtu vždy vráťte produkt pred spustením do štandardnej prevádzkovej polohy.
- Po každom použití vyčistite produkt mäkkou suchou tkaninou. Akýkoľvek poškodený diel sa musí náležite opraviť alebo vymeniť v autorizovanom servisnom centre.
- Pred používaním a v častých intervaloch skontrolujte všetky matice, svorníky a skrutky, či sú správne utiahnuté, aby ste zaistili bezpečný prevádzkový stav výrobku. Akýkoľvek poškodený diel sa musí náležite opraviť alebo vymeniť v autorizovanom servisnom centre.
- Prineste produkt to autorizovaného servisného centra na výmenu poškodených alebo nečitateľných štítkov.

ZVYŠKOVÉ RIZIKÁ

Aj keď sa nástroj používa podľa predpisu, nie je možné eliminovať určité zvyškové rizikové faktory. Pri použití vznikajú nasledujúce riziká a obsluhujúca osoba musí venovať zvláštnu pozornosť, aby nedošlo k nasledovnému:

- Zranenie spôsobené vibráciami

- Produkt držte za rukoväte na to určené a obmedzte pracovný čas a expozíciu.
- Zranenie spôsobené hlukom
 - Používajte ochranu sluchu a obmedzte expozíciu
- Poranenie spôsobené vyletujúcimi úlomkami.
 - Neustále používajte ochranu zraku.

OBMEDZENIE RIZIKA

Boli hlásené prípady, kedy vibrácie z ručných nástrojov u niektorých osôb prispeli k stavu nazývanému Raynaudov syndróm. K symptómom patria: tŕpnutie, znecitlivenie a blednutie prstov, zvyčajne zjavné po vystavení zime. Je známe, že k vývoju týchto symptómov prispievajú: dedičné faktory, vystavovanie zime a vlhkosti, diéta, fajčenie a pracovné návyky. Opatrenia, ktoré môže vykonať obsluhujúca osoba na možné zníženie účinkov vibrácií:

- V studenom počasí udržiavajte svoje telo v teple. Pri práci s produktom noste rukavice, aby ste mali ruky a zápästia v teple. Boli hlásené prípady, kedy hlavným faktorom prispievajúcim k Raynaudovmu syndrómu bolo studené počasie.
- Po každom určitom časovom úseku prevádzky cvičte, aby ste zlepšili krvný obeh.
- Počas práce si doprajte časté prestávky. Obmedzte počet vystavení za deň.

Ak zistíte ktorýkoľvek zo symptómov tohto stavu, okamžite prerušte používanie zariadenia, navštívte svojho lekára a povedzte mu o symptómoch.

VAROVANIE

Pri dlhodobom alebo zvýšenom používaní môže dôjsť k zraneniam. Pri používaní nástroja príliš dlhé obdobia si vždy doprajte pravidelné prestávky.

OBOZNÁMTE SA S VAŠÍM PRODUKTOM

Pozrite stranu 109.

Diely

1. Port na batériu
2. Zadná rukoväť
3. Blokovač spínač
4. Ovládač premenlivých otáčok
5. Nabíjačka
6. Nabíjaci kábel
7. Batéria
8. Tlačidlo západky akumulátora
9. Kryt cievky
10. Cievka
11. Rezací drôt
12. Vláknové orezávacie ostrie
13. Odchylovač trávy
14. Dolný hriadeľ
15. Predná rukoväť



SYMBOLY NA PRODUKTE



Pred používaním výrobku si prečítajte a pochopte všetky pokyny. Dodržujte všetky výstrahy a bezpečnostné pokyny.



Používajte chrániče zraku



Používajte chrániče sluchu



Pri používaní tohto produktu používajte nešmykľavú obuv.



Nepoužívajte kovové ostria na produkte.



Nevystavujte dažďu ani nepoužívajte vo vlhkom prostredí.



Pozor na vymrštené alebo odletujúce objekty. Všetky okolostojace osoby (najmä deti a domáce zvieratá) musia stáť minimálne 15 m od miesta práce



Ruky nedávajte do blízkosti ostrí.



Ruky nedávajte do blízkosti ostrí.



Pred zapnutím zariadenia si prosím prečítajte inštrukcie.



Garantovaná hladina akustického výkonu je 92 dB.



Opatrebované elektrické zariadenia by ste nemali odhadzovať do domového odpadu. Prosíme o recykláciu ak je možné. Kontaktujte miestne úrady, alebo predajcu pre viac informácií ohľadom ekologického spracovania.



Vyhovuje všetkým regulačným normám v krajine EÚ, v ktorej bol výrobok zakúpený.



Euroázijská značka zhody



Ukrajinské označenie zhody

Nasledujúce signálne slová a významy slúžia na vysvetlenie úrovni rizika súvisiacich s produktom:

NEBEZPEČENSTVO

Označuje bezprostredne nebezpečnú situáciu, ktorá môže vyústiť v smrť, alebo vážne zranenie.

VAROVANIE

Označuje potenciálne nebezpečnú situáciu, ktorá môže vyústiť v smrť, alebo vážne zranenie.

VÝSTRAHA

Označuje potenciálne nebezpečnú situáciu, ktorá môže vyústiť v ľahké, alebo stredne ťažké zranenie.

VÝSTRAHA

Bez symbolu bezpečnostného alarmu

Označuje situáciu, ktorá môže zapríčiniť poškodenie majetku.

SYMBOLY V TOMTO NÁVODE



Diely alebo príslušenstvo predávané samostatne



Poznámka



Varovanie



Безопасността, работните характеристики и надеждността имат най-висок приоритет при проектирането на вашия безкабелен линеен тример.

ПРЕДНАЗНАЧЕНИЕ

Безкабелният линеен тример е предназначен за използване само от възрастни, които трябва да са прочели и разбрали инструкциите и предупрежденията в това ръководство и може да се считат отговорни за действията си.

Продуктът е предназначен за използване само на открити и добре проветрени пространства. От съображения за сигурност, продуктът трябва да бъде управляван адекватно чрез работа с двете ръце.

Когато е оборудван с линейна тримерна глава, продуктът е предназначен за рязане на висока трева, бурени и подобна растителност на нивото на земята. При подрязване плоскостта на рязане трябва да е приблизително успоредна на земната повърхност.

Продуктът не трябва да се използва за рязане или подрязване на жив плет, хрусталаци или друга растителност, при която плоскостта на рязане не е успоредна на земната повърхност.

Не го използвайте за никакви други цели.

ОБЩИ ПРЕДУПРЕЖДЕНИЯ ЗА БЕЗОПАСНОСТ

ПРЕДУПРЕЖДЕНИЕ

Прочетете всички предупреждения относно безопасността и всички инструкции. Неспазването на предупрежденията и инструкциите може да доведе до токов удар, пожар и/или сериозни наранявания.

ПРЕДУПРЕЖДЕНИЕ

При използване на продукта трябва да се спазват правилата за безопасност. За осигуряване на вашата безопасност и тази на страничните наблюдатели прочетете тези инструкции, преди да работите с продукта. Съхранявайте ръководството на сигурно място, за да можете да го ползвате и по-късно.

ПРЕДУПРЕЖДЕНИЕ

Продуктът не е предназначен за използване от деца или от лица с намалени физически, сетивни или умствени способности. Децата трябва да бъдат внимателно надзиравани, за да се гарантира, че не си играят с продукта.

ПРЕДУПРЕЖДЕНИЕ

В някои региони действат наредби, които ограничават употребата на продукта. За съвети се обръщайте към местните власти.

ОБУЧЕНИЕ

- Прочете инструкциите внимателно. Запознайте се с всички контроли и с правилния начин за използване на продукта.
- Никога не позволявайте продуктът да бъде използван от деца или от лица, незапознати с настоящите инструкции. Местните наредби могат да налагат ограничения за възрастта на оператора.
- Дръжте всички странични наблюдатели, деца и домашни животни на разстояние поне 15 метра от работната зона. Спрете продукта, ако някой навлезе в работната зона.
- Не използвайте продукта, ако сте уморени, болни или под влиянието на алкохол, наркотици или лекарства.
- Трябва да знаете, че операторът или потребителят е отговорен за причиняването на злополуки или щети на други лица или имущество.

ПОДГОТОВКА

- Носете пълна защитна екипировка за очите и слуха ви, когато боравите с продукта. Ако работите в зона, където съществува риск от падащи предмети, трябва да носите каска.
- Защитните средства за слуха могат да попречат на оператора да чува предупредителните звуци. Бъдете особено внимателни за потенциални опасности в работната зона и около нея.
- Носете здрави дълги панталони, ботуши и ръкавици. Не носете широки дрехи, къси панталони или бижута и не използвайте машината, ако не сте с обувки.
- Дългата коса трябва да бъде прибрана на ниво над раменете, за да се избегне нейното заплитане в движещите се части.
- Преди употреба и след всяко въздействие проверете дали няма повредени части. Поправянето или заменянето на дефектен превключвател или повредени или износени части трябва да се извършва само от упълномощени сервизи.
- Уверете се, че приспособлението за рязане е правилно монтирано и здраво закрепено.
- Никога не работете с продукта, докато всички предпазители, отклонители и ръкохватки не са прикрепени правилно и стабилно.
- Помислете за средата, в която работите. Прочиствайте работната зона от жици, пръчки, камъни и отпадъци, които биха могли да бъдат захвърлени във въздуха, ако попаднат в съприкосновение с режещия механизъм.

ИЗПОЛЗВАНЕ И ОБСЛУЖВАНЕ НА ИНСТРУМЕНТА С БАТЕРИЯ

- Презареждайте единствено със зарядното устройство, посочено от производителя. Зарядно устройство, подходящо за зареждане на един вид батерии, може да предизвика риск от пожар, ако бъде използвано за други батерии.





- Използвайте електрически инструменти с батерии единствено със специално предназначенията за тях батерии. Използването на всякакви други батерии може да създаде риск от нараняване и пожар.
- Когато батерията не се използва, съхранявайте я далеч от други метални обекти, като например кламери, монети, ключове, гвоздеи, гайки или други малки метални обекти, които могат да направят връзка между клемите. Късото съединение от клемите може да доведе до изгаряния или пожар.
- При неправилно използване батерията може да отдели течност; избягвайте контакт. Ако случайно настъпи контакт, промийте с вода. Ако течността влезе в контакт с очите, потърсете допълнително медицинска помощ. Отделената от батерията течност може да причини възпаление или изгаряния.
- Носете пълна защитна екипировка за очите и слуха ви, когато боравите с продукта. Ако работите в зона, където съществува риск от падащи предмети, трябва да носите каска.
- Защитните средства за слуха могат да попречат на оператора да чува предупредителните звуци. Бъдете особено внимателни за потенциални опасности в работната зона и около нея.
- Носете здрави дълги панталони, ботуши и ръкавици. Не носете широки дрехи, къси панталони или бижута и не използвайте машината, ако не сте с обувки.
- Дългата коса трябва да бъде прибрана на ниво над раменете, за да се избегне нейното заплитане в движещите се части.
- Малкото острие, прикачено към предпазителя, служи за подрязване на новоразвитата корда до подходящата дължина, при която се гарантира безопасна работа и оптимална производителност. Острието е много остро. Не докосвайте острието особено при почистване на продукта.

ПРЕДУПРЕЖДЕНИЯ ЗА БЕЗОПАСНОСТ ЗА БЕЗЖИЧНИЯ ТРИМЕР С КОРДА

- Никога не позволявайте продуктът да бъде използван от: деца; лица с намалени физически, сетивни или умствени способности; лица без необходимите опит и знания; лица, които не са запознати с настоящите инструкции.
- Използвайте продукта през деня или при добро изкуствено осветление.
- Избягвайте да използвате инструмента при мокра трева.
- Винаги стъпвайте стабилно и пазете равновесие, особено върху наклонени повърхности.
- Не ходете назад, докато използвате продукта. Вървете, никога не тичайте, когато косите.
- Дръжте приставката с главата под нивото на кръста.
- Никога не използвайте продукта, ако предпазителят са повредени или не са на мястото си.
- Никога не поставяйте метална корда.
- Дръжте ръцете и краката си далеч от режещите части и особено при включване на мотора.
- Внимавайте, режещите части продължават да се въртят по инерция след изключване на мотора.
- Внимавайте за обекти, захвърлени от режещия механизъм. Почистете отпадъците като малки камъни, чакъл и други чужди обекти от работната зона, преди да започнете работа. В режещите елементи могат да се заплетат жици или влакна.
- За да се намали рискът от нараняване, свързан с контактуване с движещи се части, винаги изключвайте продукта, изваждайте акумулаторната батерия и изчакайте да изстинат. Уверете се, че всички движещи се части са спрели напълно:
 - преди обслужване
 - преди почистване на запушване
 - преди проверка, почистване или работа по уреда
 - преди смяна на принадлежности
 - след удяране на чужд предмет
 - когато оставяте продукта без надзор
 - всеки път при извършване на техническо обслужване
 - ако уредът започне да вибрира неестествено
- Винаги проверявайте дали по вентилационните отвори има отпадък.
- Преди употреба и след всяко въздействие проверете дали няма повредени части. Поправянето или заменянето на дефектен превключвател или повредени или износени части трябва да се извършва само от упълномощени сервиси.
- Уверете се, че приспособлението за рязане е правилно монтирано и здраво закрепено.
- Уверете се, че всички предпазители, отклонители и дръжки са правилно стабилно прикрепени.
- По никакъв начин не модифицирайте izdelieto. Това може да увеличи риска от нараняване на вас или на други хора.
- Подменяйте режещото влакно само с оригинално такова от производителя. Не използвайте никакво друго режещо приспособление.
- В случай на неизправност или повреда изключете и свалете акумулаторната батерия. Не работете с продукта отново, докато той не премине щателна проверка в оторизиран сервизен център.

ПРЕДУПРЕЖДЕНИЕ

Преди употреба се уверете, че режещото влакно е поставено подходящо и е обезопасено.

ДОПЪЛНИТЕЛНИ ПРЕДУПРЕЖДЕНИЯ ЗА БЕЗОПАСНОСТ ЗА БАТЕРИЯТА

ПРЕДУПРЕЖДЕНИЕ

За да избегнете опасността от пожар, предизвикана от късо съединение, както и нараняванията и повредите на продукта, не потапяйте инструмента, сменяемата акумулаторна батерия или зарядното устройство в течности и се погрижете в уредите и акумулаторните батерии да не попадат течности. Течностите, предизвикващи корозия или повреждащи електричество, като солена вода, определени химикали, избелващи вещества или продукти, съдържащи избелващи вещества, могат да предизвикат късо съединение.





EN
FR
DE
ES
IT
NL
PT
DA
SV
FI
NO
RU
PL
CS
HU
RO
LV
LT
ET
HR
SL
SK
BG
UK
TR

ТРАНСПОРТИРАНЕ И СЪХРАНЕНИЕ

- Изключете продукта, извадете акумулаторната батерия и го изчакайте да се охлади, преди да го приберете за съхранение или да го транспортирате.
- Почистете продукта от всички чужди частици.
- Не съхранявайте и транспортирайте продукта с поставени батерии. Извадете акумулаторната батерия и я съхранете отделно. Съхранявайте я на хладно, сухо и добре проветрявано място, което е недостъпно за деца. Дръжте продукта далече от разяждащи вещества, като например градински химикали и размразяващи соли. Не съхранявайте продукта на открито.
- Когато транспортирате продукта, го обезопасете така, че да не може да се движи или да падне, защото това може да доведе до евентуални наранявания на хора или повреди по продукта.

ТРАНСПОРТИРАНЕ НА ЛИТИЕВИ БАТЕРИИ

Транспортирайте батериите в съответствие с местните и национални постановления и разпоредби. Спазвайте всички специални изисквания за пакетиране и етикетирание, когато транспортирате батерии чрез трето лице.

Уверете се, че батериите не влизат в контакт с други батерии или проводими материали по време на транспортиране, като предпазите откритите конектори с изолация, непроводими капачета или лента. Не транспортирайте батерии, които са спукани или текат. Свържете се със следната компания за допълнителен съвет.

ПОДДРЪЖКА

⚠ ПРЕДУПРЕЖДЕНИЕ

Използвайте само оригинални резервни части, аксесоари и приставки от производителя. В противен случай може да се влоши работата на инструмента или да получите тежки контузии, а гаранцията ви ще стане невалидна.

⚠ ПРЕДУПРЕЖДЕНИЕ

Сервизното обслужване изисква изключително внимание и специфични познания и следва да бъде извършвано само от квалифициран техник. Продуктът трябва да бъде ремонтиран само в упълномощен сервиз. При извършване на сервизни дейности използвайте само оригинални резервни части от производителя.

- Изключете и извадете батерията, преди да извършите каквито и да било дейности по профилактика или почистване.
- Можете да правите само такива настройки и поправки, които са описани в настоящото ръководство. За други поправки или съвети потърсете съдействие от оторизиран сервизен център.

- Когато трябва да смените кордата, използвайте само корда с найлонови влакна със съответния диаметър, посочен в таблицата със спецификации в настоящото ръководство.
- След удължаване на ново режещо влакно винаги връщайте продукта в нормална за работа позиция, преди да го включите.
- Всеки път след употреба почиствайте продукта с мека и суха кърпа. Всяка повредена част трябва да бъде поправена или заменена от упълномощен сервизен център.
- Проверявайте всички гайки, болтове и винтове преди всяко използване и на чести интервали за правилно затягане, за да се уверите, че izdelието е в безопасно работно състояние. Всяка повредена част трябва да бъде поправена или заменена от упълномощен сервизен център.
- Занесете продукта в оторизиран сервизен център, ако е необходима замяна на повредени или нечетливи етикети.

НЕПРЕДВИДЕНИ РИСКОВЕ

Дори когато продуктът се използва по предназначение, е невъзможно напълно да се ограничи влиянието на определени рискови фактори. Описаните по-долу опасности могат да възникнат по време на работа, като операторът трябва да внимава за избягването на следното:

- Нараняване, причинено от вибрация
 - Дръжте продукта за предназначенияте ръкохватки и ограничавайте времето за работа.
- Наранявания, причинени от шум
 - Носете антифони и ограничете излагането
- Наранявания, причинени от летящи отпадъци.
 - По всяко време носете защитни средства за очите.

НАМАЛЯВАНЕ НА РИСКА

Известно е, че вибрациите, произвеждани от ръчни инструменти може да предизвикат у някои индивиди заболяване, наречено Синдром на Рейнолд (Raynaud's Syndrome). Симптомите може да включват изтръпване, схващане и избледняване на пръстите, обикновено се забелязват при излагане на студ. Смята се, че наследствените фактори, излагането на студ и влага, диетите, пушенето и някои работни навици допринасят за развитието на тези симптоми. Могат да се вземат някои мерки, които могат да се предприемат от оператора, за да се намалят ефектите от вибрациите:

- Поддържайте телесната температура в студено време. Когато работите с продукта, носете ръкавици, за да поддържате ръцете и китките си топли. Според изследвания главният фактор, допринасящ за развитието на Raynaud's Syndrome, е студеното време.
- Правете упражнения за активизиране на кръвообращението след всеки работен цикъл.
- Редовно излизайте в почивка. Ограничете излагането на вибрации на ден.



При поява на някой от симптомите на това заболяване, незабавно прекратете употребата на инструмента и посетете лекар.

⚠ ПРЕДУПРЕЖДЕНИЕ

Продължителното използване на инструмента може да доведе до наранявания или влошаване. При използване на инструмента за продължителни периоди от време правете чести почивки.

ОПОЗНАЙТЕ ВАШИЯ ПРОДУКТ

Вж. страница 109.

Части

1. Гнездо за батерията
2. Задна ръкохватка
3. Спусък за фиксиране
4. Спусък за различна скорост
5. Зарядно устройство
6. Кабел на зарядното устройство
7. Батерия
8. Бутон за фиксатора на батерията
9. Капак на макарата
10. Макара
11. Режешо влакно
12. Острие за подрязване на режешото влакно
13. Отклонител за трева
14. Долен прът
15. Предна ръкохватка

СИМВОЛИ НА ПРОДУКТА



Прочетете и разберете всички инструкции, преди да използвате продукта. Следвайте всички предупреждения и инструкции за безопасност.



Носете защитни средства за очи



Носете антифони



Носете непързалици се защитни обувки, когато използвате продукта.



Не използвайте метални остриета върху продукта.



Не излагайте на дъжд и на влажни условия.



Внимавайте за изхвърлени или летящи обекти. Не допускайте странични наблюдатели, особено деца и домашни животни, на по-малко от 15 м от работната зона.



Дръжте ръцете си далеч от остриетата.



Дръжте ръцете си далеч от остриетата.



Прочетете инструкциите внимателно, преди да стартирате машината.



Гарантираното ниво на шум е 92 dB.



Електрическите уреди не трябва да се изхвърлят заедно с битовите отпадъци. Рециклирайте, където има възможност. Обърнете се за съвет по рециклирането към местните власти или разпространителите.



Тази машина е в съответствие с нормативната уредба на държавата от ЕС, където е била закупена.



EurAsian знак за съответствие.



Украински знак за съответствие

Следните сигнални думи и техните съответни значения обясняват нивата на опасност, свързани с употребата на този продукт:

⚠ ОПАСНОСТ

Указва неминуемо опасна ситуация, която ако не бъде избегната, ще доведе до сериозни наранявания или смърт.

⚠ ПРЕДУПРЕЖДЕНИЕ

Указва потенциално опасна ситуация, която ако не бъде избегната, може да доведе до сериозни наранявания или смърт.

⚠ ВНИМАНИЕ

Указва потенциално опасна ситуация, която ако не бъде избегната, може да доведе до дребни или средни наранявания.

ВНИМАНИЕ

Без предупредителен символ за безопасност

Указва ситуация, която може да доведе до имуществени щети.

СИМВОЛИ В НАСТОЯЩОТО РЪКОВОДСТВО



Частите или принадлежностите се продават отделно



Забележка



Предупреждение

EN

FR

DE

ES

IT

NL

PT

DA

SV

FI

NO

RU

PL

CS

HU

RO

LV

LT

ET

HR

SL

SK

BG

UK

TR



Головними міркуваннями при розробці цього бездротового тримеру були безпека, ефективність та надійність.

ПЕРЕДБАЧУВАНОМУ ВИКОРИСТАННІ

Бездротовий тример призначений для використання тільки дорослими, які уважно прочитали і зрозуміли інструкції та попередження у цій інструкції з використання, і можуть вважатися відповідальними за свої дії.

Продукт призначений тільки для використання на відкритому повітрі у добре провітрюваній області. З міркувань безпеки продукт повинен належним чином контролюватися за допомогою двох рук.

Пристрій, обладнаний головою (і відповідним захисним кожухом), призначений для різання довгої трави, м'ясистого бур'яну та подібної рослинності на рівні або близько до поверхні ґрунту. Під час роботи площина різання має бути приблизно паралельно поверхні землі.

Продукт не повинен бути використаний, щоб підрізати або обрізати живоплоти, чагарники або іншу рослинність, де ріжуча площина не паралельна поверхні землі.

Не використовуйте для будь-яких інших цілей.

ЗАГАЛЬНІ ЗАХОДИ БЕЗПЕКИ

Попередження

Прочитайте всі правила безпеки та інструкції. Недотримання попереджень та інструкцій може призвести до ураження електричним струмом, пожежі та / або серйозної травми.

Попередження

При використанні продукту, потрібно дотримуватися правил безпеки. Для вашої власної безпеки та безпеки перехожих, будь ласка, прочитайте ці інструкції перед експлуатацією виробу. Будь ласка, збережіть інструкції з безпеки для подальшого використання.

Попередження

Продукт не призначений для використання дітьми або особами з обмеженими фізичними, розумовими або сенсорними можливостями. Потрібно належним чином стежити за дітьми, щоб вони не грали з машиною.

Попередження

У деяких регіонах існують правила, що обмежують використання продукту для деяких операцій. Перевірте з вашим місцевим органом влади для консультацій

ПІДГОТОВКА

- Уважно прочитайте інструкцію. Добре ознайомтеся з органами управління та правильним використанням машини.
- Ніколи не дозволяйте дітям або людям, не знайомим з цими інструкціями, використовувати продукт. Місцеве законодавство може обмежувати вік оператора.
- Тримайте перехожих, дітей і домашніх тварин на відстані 15м від місця експлуатації. Якщо будь-хто входить у зону роботи машини, зупиніть її.
- Не працюйте з виробом, коли ви втомлені або знаходитеся під дією наркотиків, алкоголю або медикаментів.
- Майте на увазі, що оператор або користувач несе відповідальність за нещасні випадки або пошкодження спричинені іншим особам або їх майну.

ПІДГОТОВКА

- Носіть повний захист очей та слуху під час роботи з продуктом. При роботі в місцях, де є ризик падіння предметів, потрібно надягати захисний головний убор.
- Засоби захисту органів слуху можуть зашкодити можливості оператора чути попереджувальні звуки. Приділяйте особливу увагу можливим небезпекам навкруги та всередині робочої зони.
- Носіть важкі довгі штани, чоботи і рукавички. Не носіть широкий одяг, короткі штани, коштовності будь-якого виду та не використовуйте прилад босоніж.
- Зафіксуйте довге волосся вище рівня плеча, щоб запобігти заплутуванню в будь-яких рухомих частинах.
- Перед використанням і після кожної дії, переконайтеся, що немає пошкоджених частин. Несправний вимикач або будь-яка пошкоджена частина, повинні бути відремонтовані чи замінені в авторизованому сервісному центрі.
- Переконайтеся, що ріжуча насадка правильно встановлена та надійно закріплена.
- В жодному разі не користуйтеся приладом, поки всі захисні частини, дефлектори та ручки не будуть належним чином та надійно закріплені.
- Враховуйте середовище, в якому ви працюєте. Забезпечте, щоб робоча зона була вільною від дротів, палиць, каміння і уламків, які при зіткненні з лезом може пошкодити об'єкти.

ВИКОРИСТАННЯ І ДОГЛЯД ІНСТРУМЕНТУ НА БАТАРЕЙКАХ

- Перезаряджати тільки за допомогою зарядного пристрою, зазначеного виробником. Зарядний пристрій, що підходить для одного типу акумуляторів, може створити ризик загоряння при використанні з іншим акумуляторним блоком.





- Використовуйте електроінструменти тільки з призначеними для них акумуляторами. Використання будь-яких інших акумуляторів, може створити ризик отримання травми і пожежі.
- Коли акумуляторна батарея не використовується, тримайте її подалі від металевих предметів, таких як кліпси, монети, ключі, цвяхи, гвинти або інші невеликі металеві предмети, які можуть замкнуті клема. Коротке замикання контактів акумулятора може призвести до опіків або пожежі.
- У важких умовах експлуатації, рідина може бути випущена з батареї; уникайте контакту. При випадковому контакті змийте водою. При потрапленні рідини в очі, зверніться за медичною допомогою. Рідина з акумулятора може викликати роздратування або опіки.

ЗАХОДИ БЕЗПЕКИ ПРИ РОБОТІ З БЕЗДРОТОВИМ ТРИММЕРОМ ДЛЯ ГАЗОНУ

- Ніколи не дозволяйте дітям, людям зі зниженими фізичними, сенсорними або розумовими здібностями або з недостатнім досвідом і знаннями, або людям, не знайомим з цими інструкціями, користуватися виробом.
- Використовуйте продукт при денному світлі або при хорошому штучному освітленні.
- Уникайте використання на мокрій траві.
- Завжди зберігайте стійке положення та рівновагу, особливо на схилах.
- Не задкуйте при використанні продукту. Ходіть, ніколи не бігайте.
- Тримайте прилаштування голівки нижче рівня пояса.
- Ніколи не працюйте з пошкодженими запобіжними пристосуваннями або без запобіжних пристосувань.
- Ніколи не використовуйте для заміни металеву лінію.
- Увесь час тримайте руки і ноги подалі від ріжучого засобу, особливо при включенні мотора.
- Будьте обережні, ріжучі частини продовжують обертатись, після того як двигун вимкнено.
- Остерігайтеся об'єктів, кинутих у ріжучі засоби. Вичистіть сміття таке, як дрібні камені, гравій та інші сторонні предмети з робочої зони перед початком операції. Дроти або волосін можуть заплутатися у ріжучому засобі.
- Щоб знизити ризик травмування рухомими частинами пристрою, завжди вимикайте пристрій, виймайте акумулятор та дайте їм охолонути. Переконайтеся, що всі рухомі частини зупинилися:
 - перед обслуговуванням
 - перед очищенням закупорення
 - перед перевіркою, чищенням, або роботі на продукті
 - перед зміною приладдя
 - Після удару об сторонній предмет
 - коли залишаєте продукт без нагляду
 - перед кожним технічним обслуговуванням
 - якщо продукт починає ненормально вібрувати
- Носіть повний захист очей та слуху під час роботи з продуктом. При роботі в місцях, де є ризик падіння предметів, потрібно надягати захисний головний

убор.

- Засоби захисту органів слуху можуть зашкодити можливості оператора чути попереджувальні звуки. Приділяйте особливу увагу можливим небезпекам навкруги та всередині робочої зони.
- Носіть важкі довгі штани, чоботи і рукавички. Не носіть широкий одяг, короткі штани, коштовності будь-якого виду та не використовуйте прилад босоніж.
- Зафіксуйте довге волосся вище рівня плеча, щоб запобігти заплутуванню в будь-яких рухомих частинах.
- Маленька лопатка встановлена на захисний кожух призначена для обрізки нової подовженої волосіні потрібної довжини для безпечної і оптимальної продуктивності. Лезо дуже гостре. Не торкайтеся леза, особливо під час чищення.
- Завжди переконайтеся, що вентиляційні отвори знаходяться чистими від сміття.
- Перед використанням і після кожної дії, переконайтеся, що немає пошкоджених частин. Несправний вимикач або будь-яка пошкоджена частина, повинні бути відремонтовані чи замінені в авторизованому сервісному центрі.
- Переконайтеся, що ріжуча головка правильно встановлена та надійно закріплена.
- Переконайтеся, що всі захисні огорожі, дефлектори і ручки правильно і надійно закріплені.
- В жодному разі не видозмінюйте прилад. Це може підвищити ризик травмування оператора або інших осіб.
- Використовуйте тільки заміну ріжучу лінію від виробника. Не використовуйте будь-який інше ріжуче приладдя.
- У разі нещасного випадку або пошкодження, негайно вимкніть пристрій та від'єднайте акумуляторну батарею. Не використовуйте прилад знову до проведення його повної перевірки в авторизованому сервісному центрі.

Попередження

Перед кожним використанням слід пересвідчитися, що різальне лезо встановлено і закріплено належним чином.

ДОДАТКОВІ ПОПЕРЕДЖЕННЯ З ТЕХНІКИ БЕЗПЕКИ ЩОДО ВИКОРИСТАННЯ АКУМУЛЯТОРІВ

Попередження

Для запобігання небезпеці пожежі в результаті короткого замикання, травмам і пошкодженню виробів не занурюйте інструмент, змінний акумулятор або зарядний пристрій у рідину і не допускайте потраплення рідини всередину пристроїв або акумуляторів. Корозійні і струмопровідні рідини, такі як солоний розчин, певні хімікати, вибілювальні засоби або продукти, що їх містять, можуть призвести до короткого замикання.



ТРАНСПОРТУВАННЯ ТА ЗБЕРІГАННЯ

- Перед зберіганням або чищенням вимкніть пристрій, вийміть акумулятор та дайте пристрою охолонути.
- Очистіть всі сторонні матеріали з продукту.
- Заборонено зберігання або транспортування пристрою зі встановленим акумулятором. Вийміть акумуляторну батарею та зберігайте її окремо. Зберігайте продукт в прохолодному, сухому і добре провітрюваному місці, недоступному для дітей. Зберігати подалі від агресивних агентів, таких як садові хімікати і солей проти обледеніння. Не зберігайте пристрій на відкритому повітрі.
- Для транспортування, забезпечіть машину від руху або падіння, щоб запобігти травми людей або пошкодження машини.

ПЕРЕВЕЗЕННЯ ЛІТЄВИХ БАТАРЕЙ

Здійсніть транспортування акумуляторної батареї відповідно до місцевих та загальнодержавних норм і правил. Дотримуйтеся всі спеціальні вимоги до упаковки і маркування при транспортуванні батареї третьою стороною.

Переконайтеся, що під час транспортування акумулятор не вступає в контакт з іншими акумуляторними батареями або струмопровідними матеріалами та захистіть відкриті роз'єми ізоляційними непровідними кришками або стрічкою. Чи не переносьте акумулятори, тріснуті або бігу. Зв'яжіться з нами для отримання подальших рекомендацій.

ТЕХНІЧНЕ ОБСЛУГОВУВАННЯ

⚠ Попередження

Використовуйте тільки оригінальні запасні частини, аксесуари та обладнання від виробника. Невиконання цієї вимоги може привести до можливої травми, поганої продуктивності та може призвести до втрати гарантії.

⚠ Попередження

Обслуговування вимагає крайньої обережності і знання і повинно бути виконане тільки кваліфікованим фахівцем. Звертайтеся тільки до авторизованого сервісного центру. При технічному обслуговуванні використовуйте тільки ідентичні замінні частини.

- Вимкніть і вийміть акумулятор перед проведенням технічного обслуговування і чищення.
- Ви можете зробити регулювання та ремонт, описані в цьому посібнику користувача. Для інших ремонтних робіт, зверніться до авторизованого сервісного агента.
- Під час заміни волосіні використовуйте тільки нейлонову волосінь з діаметром, вказаним у таблиці технічних характеристик цього керівництва.
- Після натягування нової ріжучої лінії, завжди поверніть товар в нормальне робоче положення перед початком роботи.

- Після кожного використання, очистіть виріб м'якою сухою тканиною. Будь-яка пошкоджена деталь, має бути правильно відремонтована або замінена в авторизованому сервісному центрі.
- Перевірте всі гайки, болти і гвинти після короткого проміжка часу і перед кожним використанням на правильну герметичність, щоб забезпечити продукт у безпечному робочому стані. Будь-яка пошкоджена деталь, має бути правильно відремонтована або замінена в авторизованому сервісному центрі.
- Принесіть продукт в авторизований сервісний центр для заміни пошкоджених або нечитаемих етикеток.

НЕПЕРЕДБАЧЕНІ РИЗИКИ

Навіть за належного використання інструмента неможливо повністю нейтралізувати певні фактори залишкового ризику. Наступні небезпеки можуть виникати при використанні продукту та оператору слід звернути особливу увагу, щоб уникнути наступного:

- Травми спричинені вібрацією.
 - Тримайте прилад за спеціально призначені ручки та лімітуйте час роботи із ним.
- Підвищений рівень шуму може спричинити пошкодження слуху.
 - Надягайте захист для органів слуху та лімітуйте вплив.
- Травми, викликані літаючими уламками
 - Носіть захист для очей у весь час.

ЗНИЖЕННЯ РИЗИКУ

Відомі випадки, коли вібрація від ручних інструментів сприяє появі так званого синдрому Рейно. Симптоми схожі на ті, що з'являються під впливом холоду, включаючи поколювання, оніміння та збліднення пальців. Вважається, що спадкові чинники, вплив холоду і сирості, харчування, куріння і деякі звички роботи сприяють розвитку цих симптомів. Можна прийняти деякі заходи, які можуть бути прийняті оператором, щоб зменшити вплив вібрації:

- Підтримувати температуру тіла в холодну погоду. При використанні інструменту надягайте рукавички, щоб тримати руки та зап'ястки у теплі. Згідно з дослідженнями, основний внесок в розвиток синдрому Рейно, є холодна погода.
- Вправа для активації кровообігу після кожного запуску.
- Регулярно йдуть на перерву. Лімітуйте кількість роботи на день.

Якщо ви виявили будь-який з цих симптомів, негайно припиніть використання і зверніться до вашого лікаря згідно цих симптомів.

⚠ Попередження

Тривале використання інструменту може призвести до травмування або загострення існуючої травми. При використанні приладу протягом тривалого періоду часу, часті перерви.

ЗНАЙ СВІЙ ПРОДУКТ

Дивіться сторінку 109.

Частини

1. Гніздо для акумулятора
2. Задня ручка
3. Затисна клямка
4. Перемикач змінної швидкості
5. Зарядний пристрій
6. Кабель зарядного пристрою
7. Акумуляторна батарея
8. Кнопка засувки акумулятора
9. Кришка котушки
10. Котушка
11. Ріжуча лінія
12. Лезо тримера з волосінню
13. Відбивач трави
14. Нижній вал
15. Передня ручка

СИМВОЛИ НА ПРОДУКТІ



Перед використанням пристрою прочитайте та зрозумійте всі інструкції. Дотримуйтесь всіх попереджень та інструкцій з безпеки використання.



Одягайте захисні окуляри



Одягайте засоби для захисту слуху.



Носіть нековзне захисне взуття при використанні продукту.



Не використовуйте металеве лезо(а) на продукті.



Не піддавайте впливу дощу або вологих умов.



Остерігайтеся кинутих або літаючих об'єктів. Тримайте всіх перехожих, особливо дітей і домашніх тварин, принаймні 15 м від робочої зони.



Тримайте руки подалі від лез



Тримайте руки подалі від лез



Перед початком роботи с пристроєм уважно прочитайте інструкції.



Гарантований рівень звукової потужності 92 дБ.



Не викидати відпрацьовані електричні прилади разом із побутовими відходами Утилізувати у спеціально призначених закладах. За консультацією по утилізації приладу зверніться до органу місцевої влади або дилера



Відповідає всім нормативним стандартам в країнах ЄС, де вироб було придбано.



Євразійська знак відповідності.



Український знак відповідності

Наступні сигнальні слова і змісти призначені для пояснення рівнів ризику, пов'язаних з продуктом:

⚠ НЕБЕЗПЕКА

Вказує на неминуче небезпечну ситуацію, яка, якщо її не уникнути, може призвести до смерті або серйозних травм.

⚠ Попередження

Вказує на потенційно небезпечну ситуацію, яка, якщо її не уникнути, може призвести до смерті або серйозних травм.

⚠ УВАГА

Вказує на потенційно небезпечну ситуацію, яка, якщо її не уникнути, може призвести до легкої або середньої травми.

УВАГА

Без попереджуючих символів

Вказує на ситуацію, яка може призвести до пошкодження майна.

СИМВОЛИ В ЦЬОМУ ПОСІБНИКУ



Запчастини та аксесуари, що продаються окремо



ПРИМІТКА



Попередження

Kablosuz ot biçme makinenizin tasarımında güvenlik, performans ve güvenilirliğe en yüksek öncelik verilmiştir.

KULLANIM AMACI

Kablosuz ot biçme makinesi, sadece bu el kitabı ve ilgili güç başlığı kılavuzundaki talimat ve uyarıları okuyup anlamış ve hareketlerinden sorumlu tutulabilecek olan yetişkinler tarafından kullanılabilir.

Bu ürün sadece iyi havalandırılan bir alanda dış mekanda kullanıma yöneliktir. Güvenlik nedenleriyle ürün iki elle kullanılarak uygun şekilde kontrol edilmelidir.

Çim biçme kafası (ve uygun korkulukla) donatıldığında, ürün zemin düzeyinde ya da hemen üzerindeki uzun çim, yumuşak ot ve benzeri bitkileri kesmek üzere donatılmıştır. Kesim sırasında, biçme yüzeyi yere yaklaşık paralel olmalıdır.

Bu ürün kesme düzleminin zemin yüzeyine paralel olmadığı durumlarda çitleri, çalılırları veya diğer bitkileri kesmek veya biçmek için kullanılmamalıdır.

Başka herhangi bir amaçla kullanmayın.

GENEL GÜVENLİK UYARILARI

⚠ UYARI

Tüm güvenlik uyarılarını ve tüm talimatları okuyun. Uyarılara ve talimatlara uymamak elektrik çarpması, yangın ve/veya ciddi yaralanma ile sonuçlanabilir.

⚠ UYARI

Bu ürünü kullanırken güvenlik kurallarına uyulmalıdır. Kendi güvenliğinizin ve çevrenizdeki kişilerin güvenliği için ürünü kullanmadan önce bu talimatları tamamen okumalı ve anlamalısınız. Lütfen bu talimatları daha sonra kullanmak üzere güvenli bir yerde saklayın.

⚠ UYARI

Bu ürün çocuklar veya fiziksel, zihinsel veya duyuşsal becerileri kısıtlı kişiler tarafından kullanıma uygun değildir. Ürünle oynamadıklarından emin olmak için çocuklara uygun şekilde nezaret edilmelidir.

⚠ UYARI

Bazı bölgeler ürünün bazı çalışmalarda kullanımına kısıtlama getiren yönetmeliklere sahiptir. Tavsiye için bölgenizdeki yetkili merciyeye başvurun.

EĞİTİM

- Talimatları dikkatlice okuyun. Tüm kontrolleri ve makinenin nasıl doğru şekilde kullanılacağını öğrenin.
- Hiçbir zaman çocukların veya bu talimatları bilmeyen kişilerin ürünü kullanmasına izin vermeyin. Yerel yönetmelikler kullanıcının yaşına kısıtlama getirebilir.
- Çevrenizdeki kişileri, çocukları ve evcil hayvanları çalışma alanından 15 m uzaklaştırın. Eğer herhangi bir bu alana girerse ürünü durdurun.

- Ürünü yorgun veya hastayken ya da uyuşturucu, alkol veya ilaç etkisi altındayken asla kullanmayın.
- Kazalardan ve diğer insanlara veya mallarına zarar verebilecek tehlikelerden kullanıcının sorumlu olduğunu unutmayın.

HAZIRLIK

- Bu ekipmanı kullanırken koruyucu gözlük ve kulak tıkacı takın. Eğer nesnelerin düşme riskinin bulunduğu bir alanda çalışıyorsanız kask takılmalıdır.
- Kulak tıkacı operatörün ikaz seslerini duyma becerisini kısıtlayabilir. Çalışma alanının çevresindeki ve içindeki potansiyel tehlikelere karşı dikkatli olun.
- Uzun ağır iş pantolonu, botu ve eldiveni giyin. Bol kıyafetler, kısa pantolon giymeyin, herhangi bir takı takmayın veya çıplak ayakla kullanmayın.
- Saçlarınız uzunsa hareketli parçalara dolaşmasını önlemek için omuz seviyesinin üzerinde toplayın.
- Her kullanım öncesi ve her hangi bir darbeden sonra hasarlı parça olmadığını kontrol edin. Arızalı bir anahtarın ya da hasarlı veya aşınmış herhangi bir parçanın yetkili bir servis tarafından gerektiği gibi onarılması ya da değiştirilmesi gerekir.
- Kesme eklentisinin düzgün şekilde takılı olduğundan ve güvenli şekilde sıkıştırıldığından emin olun.
- Tüm korumalar, deflektörler ve tutamaklar düzgün ve güvenli şekilde takılmadan asla ürünü kullanmayın.
- Çalıştığınız ortama dikkat edin. Çalışma alanınızda kesicinin çarpıp fırlatmasına yol açabilecek kablo, sopa, taş ve çöp olmadığından emin olun.

PİLLİ ALET KULLANIMI VE BAKIMI

- Sadece üretici tarafından belirtilen şarj cihazı ile şarj edin. Tek bir pil takımı tipine uygun bir şarj cihazı başka bir pil takımı ile birlikte kullanıldığında yangın riski oluşturabilir.
- Elektrikli aletleri sadece özel olarak belirtilmiş pil takımları ile birlikte kullanın. Başka bir pil takımı kullanmak yaralanma ve yangın riski oluşturabilir.
- Pili takımı kullanılmadığı zaman ataş, bozuk para, anahtar, çivi, vida ve diğer metal nesnelere gibi bir terminalden diğerine bağlantı oluşturabilecek diğer metal nesnelere uzak tutun. Pili terminallerinin birlikte kısa devre yapması yanığa veya yangına neden olabilir.
- Kötü koşullarda pilden sıvı boşalabilir; temas etmekten kaçınınız. Eğer kazara temas ederseniz temas eden yeri suyla yıkayın. Eğer sıvı gözlerinize temas ederse ek olarak tıbbi yardım alın. Pilden boşalan sıvı tahrişe veya yanıklara neden olabilir.

KABLOSUZ OT BİÇME MAKİNESİ GÜVENLİK UYARILARI

- Hiçbir zaman çocukların, fiziksel, duyuşsal veya zihinsel becerileri kısıtlı veya tecrübesiz ve bilgisi yetersiz kişilerin veya bu talimatları bilmeyen insanların bu ürünü kullanmasına izin vermeyin.
- Ürünü gün ışığında ya da iyi yapay aydınlatmayla kullanın.
- Islak çim üzerinde kullanılmaktan kaçınınız.



- Her zaman yere sağlam basın ve özellikle eğimli yerlerde bastığınız yere ve dengeye dikkat edin.
- Ürünü kullanırken geri geri yürümeyin. Yürüyün, hiçbir zaman koşmayın.
- Kafa bağlantısını göğüs hizasının altında tutun.
- Ürünü hasar görmüş korumalar varken ya da korumalar olmadan asla kullanmayın.
- Asla metal yedek tel kullanmayın.
- Her zaman el ve ayaklarınızı kesme araçlarından özellikle motoru çalıştırırken uzak tutun.
- Dikkat, kesici aksam motor kapandıktan sonra da dönmeye devam eder.
- Kesme araçlarının fırlatabileceği objelere karşı dikkatli olun. Çalışma alanındaki küçük taşlar, çakıl ve diğer yabancı nesnelere çalışmadan önce temizleyin. Kablo ya da teller kesme araçlarına dolanabilir.
- Hareketli parçalara temastan kaynaklanabilecek yaralanma riskini azaltmak için her zaman ürünü kapatın, pil paketini çıkarın ve ikisinin de soğumasını bekleyin. Tüm hareketli parçaların tamamen durduğundan emin olun:
 - servis yapmadan önce
 - tıkanıklığı temizlemeden önce
 - ürünü kontrol etme, temizleme ve ürün üzerinde çalışmadan önce
 - aksesuarları değiştirmeden önce
 - yabancı bir nesneye çarptıktan sonra
 - ürün gözetimsiz bırakıldığında
 - bakım yapıldığı her zaman
 - eğer ürünler anormal şekilde titremeye başlarsa
- Bu ekipmanı kullanırken koruyucu gözlük ve kulak tıkacı takın. Eğer nesnelere düşme riskinin bulunduğu bir alanda çalışıyorsanız kask takılmalıdır.
- Kulak tıkacı operatörün ikaz seslerini duyma becerisini kısıtlayabilir. Çalışma alanının çevresindeki potansiyel tehlikelere karşı dikkatli olun.
- Uzun ağır iş pantolonu, botu ve eldiveni giyin. Bol kıyafetler, kısa pantolon giymeyin, herhangi bir takı takmayın veya çıplak ayakla kullanmayın.
- Saçlarınız uzunsu hareketli parçalara dolaşmasını önlemek için omuz seviyesinin üzerinde toplayın.
- Çim korumasına takılı olan küçük bıçak, güvenli ve en iyi performans için yeni çekilmiş teli doğru uzunlukta kesmek içindir. Bıçak çok keskindir. Özellikle de ürünü temizlerken bıçağa dokunmayın.
- Havalandırma girişlerinin her zaman birikintiden arındırılmış hâlde tutulduğundan emin olun.
- Her kullanım öncesi ve her hangi bir darbeden sonra hasarlı parça olmadığını kontrol edin. Arızalı bir anahtarın ya da hasarlı veya aşınmış herhangi bir parçanın yetkili bir servis tarafından gerektiği gibi onarılması ya da değiştirilmesi gerekir.
- Kesme eklentisinin düzgün şekilde takılı olduğundan ve güvenli şekilde sıkıştırıldığından emin olun.
- Tüm korumaların, deflektörlerin ve kulpların doğru ve güvenli şekilde takıldığından emin olun.
- Üründe herhangi bir şekilde değişiklik yapmayın Bu, sizin ve başkalarının yaralanma tehlikesini artırabilir.

- Yalnızca üreticinin yedek kesme telini kullanın. Başka bir kesme aparatı kullanmayın.
- Bir kaza ya da arıza durumunda ürünü derhal durdurun ve pil takımını çıkarın. Yetkili servis merkezi tarafından kontrol edilene dek ürünü tekrar çalıştırmayın.

⚠ UYARI

Her kullanımdan önce, korkuluk içindeki kesme bıçağının doğru yerleştirildiğinden ve tespit edildiğinden emin olun.

PİL İÇİN EK GÜVENLİK UYARILARI

⚠ UYARI

Bir kısa devreden kaynaklanan yangın, yaralanma veya ürün hasarları tehlikesini önlemek için aleti, güç paketini veya şarj cihazını asla sıvıların içine daldırmayınız ve cihazların ve pillerin içine sıvı girmesini önleyiniz. Tuzlu su, belirli kimyasallar, aşartıcı madde veya aşartıcı madde içeren ürünler gibi korozif veya iletken sıvılar kısa devreye neden olabilir.

TAŞIMA VE DEPOLAMA

- Nakletmeden ya da depolamadan önce ürünü kapatın, pil paketini çıkarın ve ürünün soğumasını bekleyin.
- Üründeki tüm yabancı maddeleri temizleyin.
- Ürünü pilleri takılmış halde saklamayın ya da nakletmeyin. Pil takımını çıkartın ve ayrıca sabitleyin. Çocukların erişemeyeceği serin, kuru ve iyi havalandırılan bir yerde depolayın. Bahçe kimyasalları ve buz çözücü tuzlar gibi korozif maddelerden uzak tutun. Ürünü açık havada depolamayın.
- Taşınacağı zaman insanların yaralanmasını veya ürünün zarar görmesini önlemek amacıyla ürünü hareket etmemesi veya düşmemesi için sabitleyin.

LİTYUM BATARYALARIN TAŞINMASI

Bataryayı yerel ve ulusal hükümlere ve yönetmeliklere uygun şekilde taşıyın. Bataryalar üçüncü bir şahıs tarafından taşındığında ambalaj ve etiket üzerindeki tüm özel koşullara uyun.

Açıktaki konektörleri yalıtkan, iletken olmayan başlıklar veya bant ile koruyarak hiçbir bataryanın taşıma sırasında diğer bataryalarla veya iletken malzemelerle temas etmediğinden emin olun. Çatlak veya sızdıran bataryaları taşımayın. Ek tavsiye için nakliye şirketi ile birlikte kontrol edin.

BAKIM

⚠ UYARI

Sadece orijinal üreticinin yedek parçalarını, aksesuarlarını ve ek parçalarını kullanın. Aksine davranış olası yaralanmaya yol açabilir, yetersiz performans neden olabilir ve garantinizin geçersiz olmasıyla sonuçlanabilir.



⚠ UYARI

Servis çalışması en yüksek düzeyde dikkat ve bilgi gerektirir ve sadece nitelikli bir servis teknisyeni tarafından yapılmalıdır. Ürünün servis işlemlerini sadece yetkili bir servis merkezinde yaptırın. Servis yapılırken sadece aynı yedek parçaları kullanın.

- Bakım ya da temizlik işlemi için ürünü kapatın ve pil paketini çıkarın.
- Sadece bu kılavuzda açıklandığı şekilde ayar veya onarım yapabilirsiniz. Diğer onarımlar için yetkili servis temsilcisini arayın.
- Yedek tel olarak yalnızca bu kılavuzun spesifikasyonlar tablosunda belirtilen çapta naylon tel kullanın.
- Yeni kesme telini çektikten sonra her zaman çalışmaya başlamadan ürünü normal çalışma konumuna getirin.
- Her kullanım sonrası ürünü yumuşak ve kuru bir bezle temizleyin. Hasarlı her tür parça yetkili servis merkezi tarafından uygun şekilde onarılmalı veya değiştirilmelidir.
- Her kullanımdan önce ve sık aralıklarla tüm somun, cıvata ve vidaların uygun sıkılıkta olduğunu ve bu şekilde ürünün emniyetli kullanım koşullarına sahip olduğunu kontrol edin. Hasarlı her tür parça yetkili servis merkezi tarafından uygun şekilde onarılmalı veya değiştirilmelidir.
- Zarar görmüş veya okunmaz durumdaki etiketleri değiştirmek için yetkili bir servis merkezine gönderin.

ARTIK RİSKLER

Ürün belirtilen şekilde kullanıldığında bile belirli artık risk faktörlerini tamamen ortadan kaldırmak mümkün değildir. Kullanım sırasında aşağıdaki tehlikeler ortaya çıkabilir ve kullanıcının aşağıdaki durumları önlemek için özellikle dikkatli olması gerekir:

- Titreşim nedeniyle yaralanma.
 - Ürünü belirtilen tutamaklardan tutun ve ürüne çalışma ve ürüne maruz kalma süresini kısa tutun.
- Gürültüye maruz kalma nedeniyle işitme kaybı meydana gelebilir.
 - İşitme koruması kullanın ve maruz kalma süresini kısıtlayın.
- Uçan döküntülerden kaynaklanan yaralanma.
 - Her zaman uygun kulak tıkacı takın.

RİSK AZALTMA

El aletlerinden kaynaklanan titreşimlerin belirli kişilerde Raynaud Sendromu adı verilen bir durumu etkilediği bildirilmiştir. Semptomlar içerisinde parmaklarda genellikle soğuğa maruz kaldığında açığa çıkan karıncalanma, hissizlik ve ağrı yer bulunabilir. Kalıtsal faktörler, soğuğa ve neme maruz kalma, diyet, sigara içme ve çalışma uygulamalarının hepsinin bu semptomların gelişimini etkilediği düşünülmektedir. Titreşim etkilerini azaltmak için kullanıcı tarafından alınabilecek önlemler vardır:

- Soğuk havada vücut ısınızı koruyun. Ürünü kullanırken ellerinizi ve bileklerinizi sıcak tutmak için eldiven giyin.

Soğuk havanın Raynaud Sendromu'nu etkileyen önemli bir faktör olduğu bildirilmiştir.

- Her kullanım süresinden sonra kan dolaşımını artırmak için egzersiz yapın.
- Sık çalışma molası verin. Günlük maruz kalma miktarını sınırlayın.

Eğer bu durumla ilgili herhangi bir semptom görürseniz çalışmayı derhal bırakın ve doktorunuza başvurun.

⚠ UYARI

Ürünün uzun süre kullanılması nedeniyle yaralanmalar meydana gelebilir veya kötüleşebilir. Herhangi bir alet uzun süre kullanıldığında düzenli molalar verdiğinizden emin olun.

ÜRÜNÜZÜ TANIYIN

Bkz. sayfa 109.

Parçalar

1. Pili yuvası
2. Arka kulp
3. Kilit tetiği
4. Değişken hız tetiği
5. Şarj cihazı
6. Şarj cihazı kablosu
7. Pili
8. Mandallı batarya düğmesi
9. Makara kapağı
10. Sargı
11. Kesme İpi
12. Tel kesme bıçağı
13. Çim deflektörü
14. Alt şaft
15. Ön kulp

ÜRÜN ÜZERİNDEKİ SEMBOLLER



Ürünü çalıştırmadan önce bütün talimatları okuyup anlayın. Tüm uyarı ve güvenlik talimatlarına uyun.



Koruyucu gözlük takın.



Kulak tıkacı takın.



Ürünü kullanırken kaymaz güvenli ayakkabısı giyin.



Bu ürünle metal bıçak kullanmayın.



Ürünü yağmura veya nemli koşullara maruz bırakmayın.



Fırlayan ve sıçrayan nesnelere dikkat edin. Üçüncü şahısları, özellikle çocukları ve evcil hayvanları çalışma alanından en az 15 m uzakta tutun.



Ellerinizi bıçaklardan uzak tutun.



Ellerinizi bıçaklardan uzak tutun.



Lütfen makineyi çalıştırmadan önce talimatları dikkatlice okuyun.



Güvenceli ses gücü seviyesi 92 dB'dir.



Atık elektrikli ürünler evsel atıklarla birlikte atılmamalıdır. Lütfen tesislerin mevcut olduğu yerlerde geri dönüştürün. Geri dönüşüm tavsiyesi için bölgenizdeki yetkili mercie veya satıcıya başvurun.



Ürünün satın alındığı AB ülkesindeki tüm düzenleyici standartlara uygundur.



EurAsian Uygunluk İşareti



Ukrayna uygunluk işareti.

Aşağıdaki işaret sözcükler ve anlamları bu ürünle ilişkili risk seviyelerinin açıklanmasına yöneliktir:

⚠ TEHLİKE

Önlenmemesi durumunda ölüm veya ciddi yaralanma ile sonuçlanacak ciddi tehlike içeren bir durumu gösterir.

⚠ UYARI

Önlenmemesi durumunda ölüm veya ciddi yaralanma ile sonuçlanabilecek potansiyel olarak tehlikeli bir durumu gösterir.

⚠ İKAZ

Önlenmemesi durumunda önemsiz veya orta derece yaralanma ile sonuçlanabilecek potansiyel olarak tehlikeli bir durumu gösterir.

İKAZ

Güvenlik uyarısı sembolü olmadığında Maddi hasarla sonuçlanabilecek bir durumu gösterir.

BU KILAVUZDAKİ SEMBOLLER



Ayrı satılan parçalar veya aksesuarlar

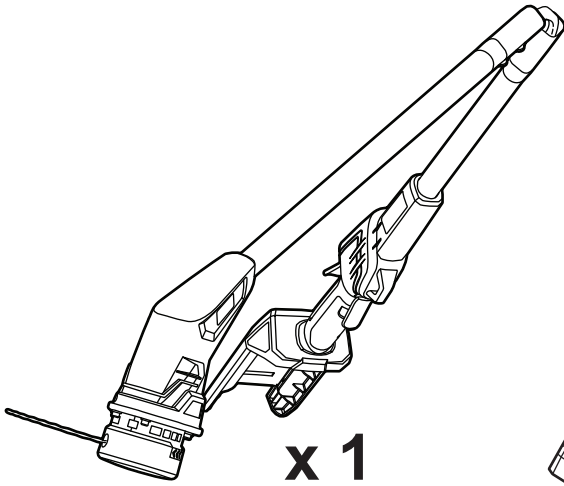


Not

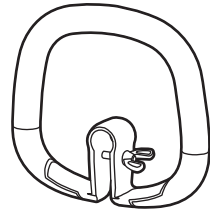


Uyarı

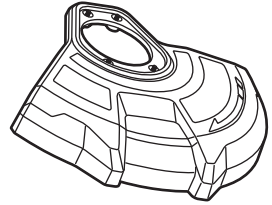
RY36LT33A-120



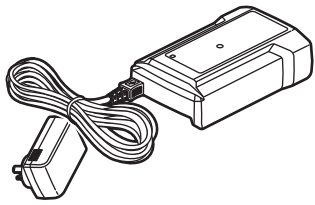
x 1



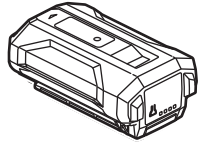
x 1



x 1



x 1



x 1

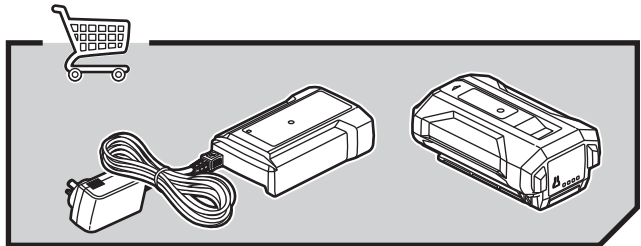
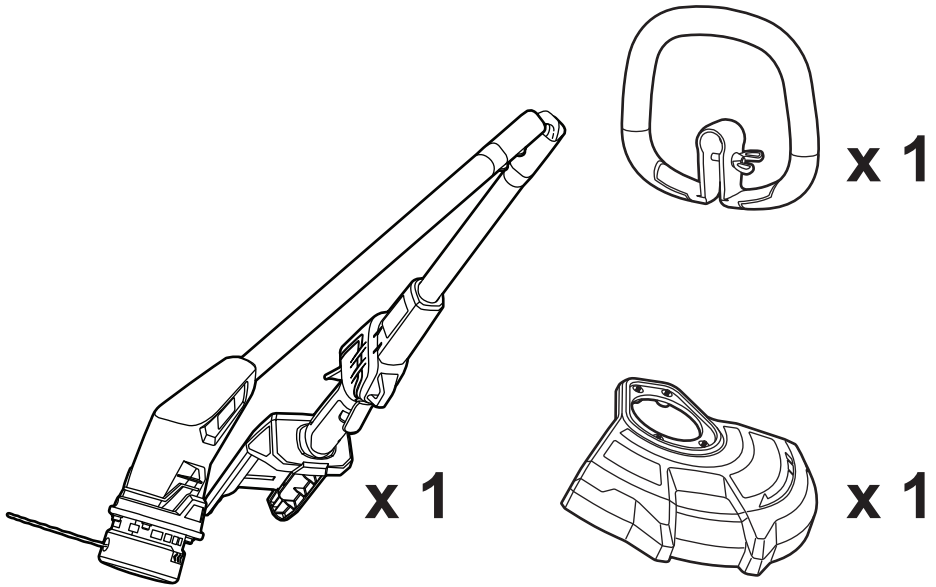


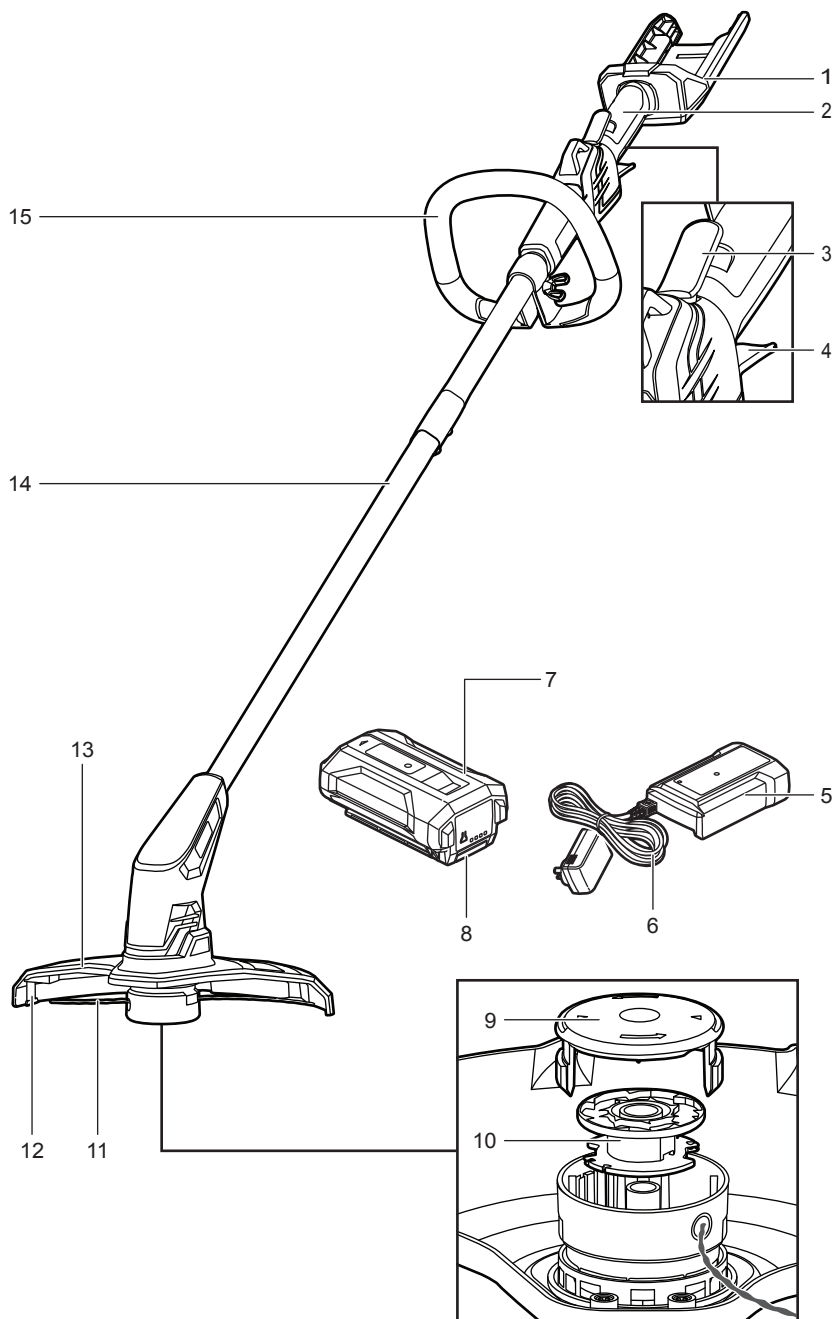
x 4

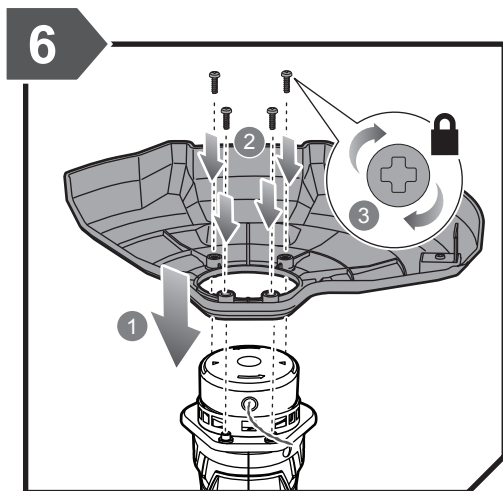
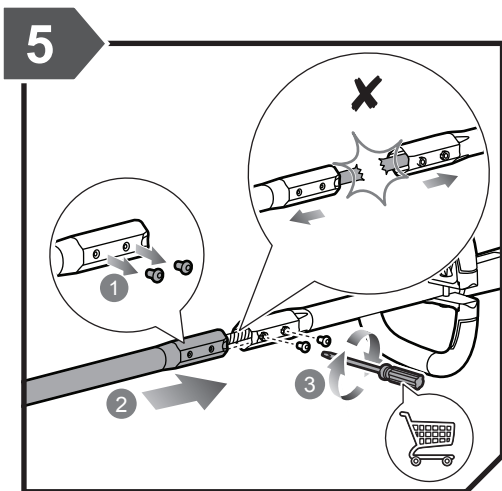
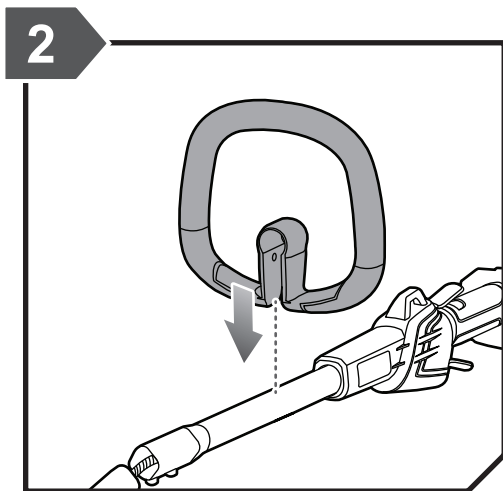
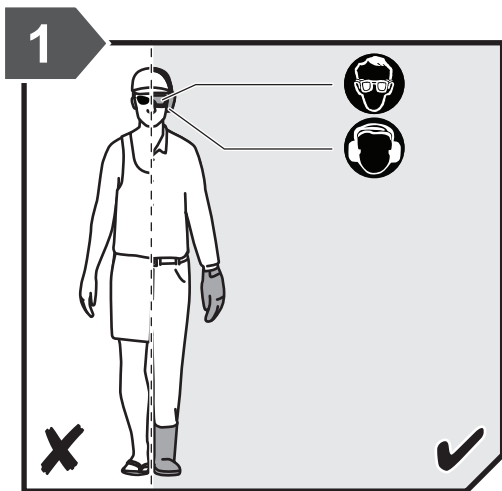


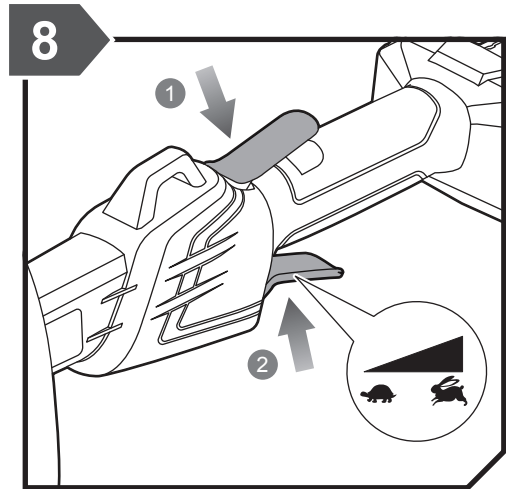
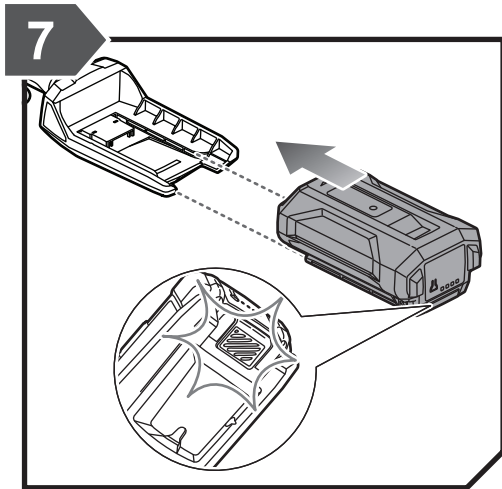
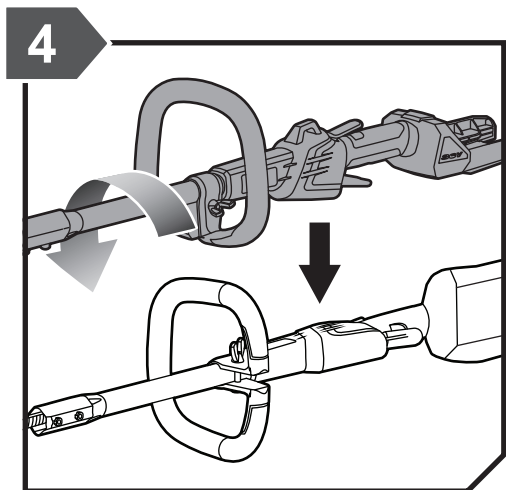
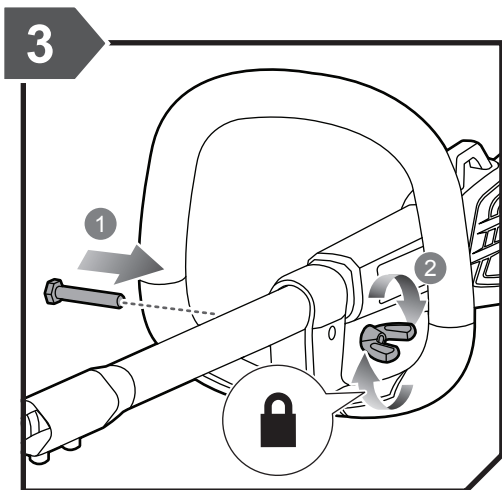
x 1

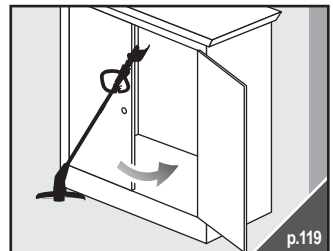
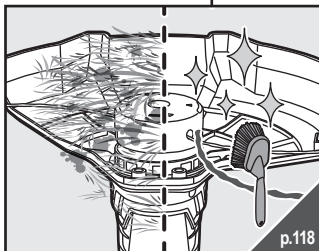
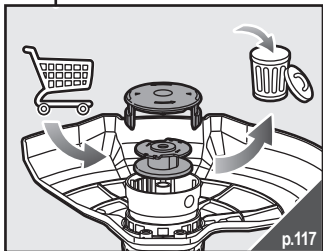
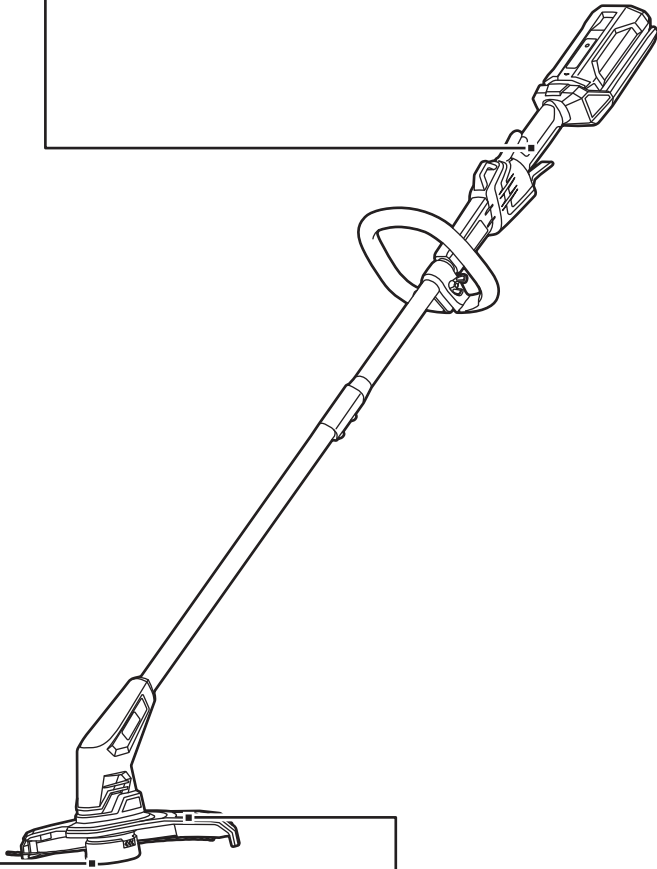
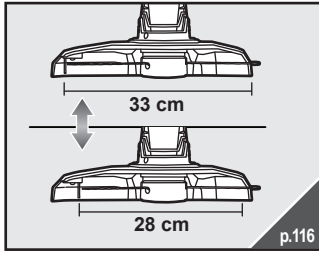
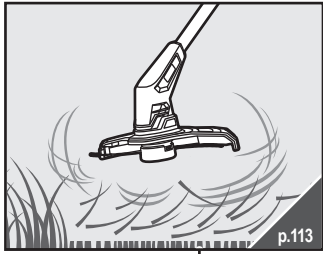
R Y36LT33A

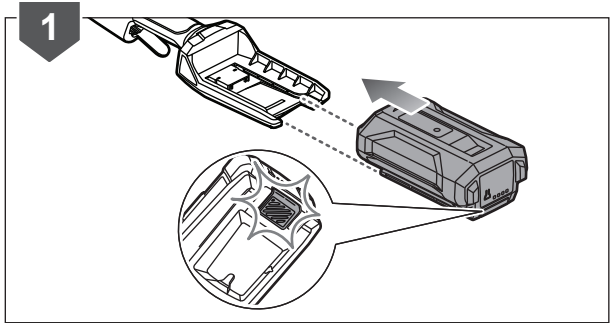
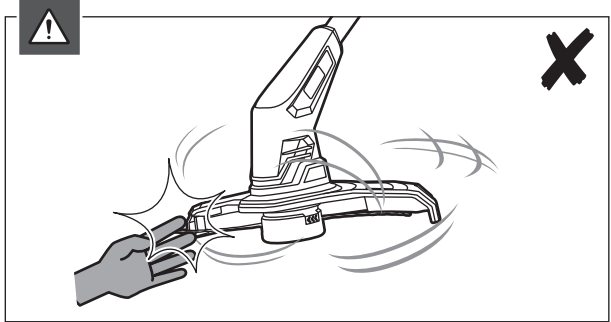
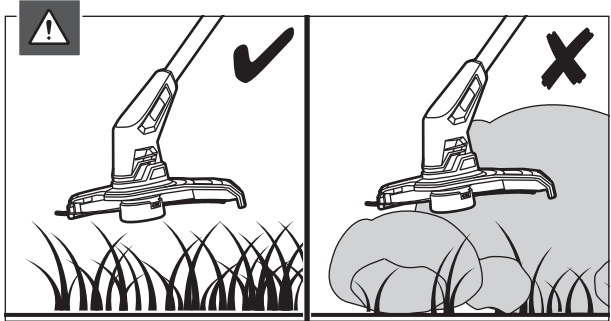
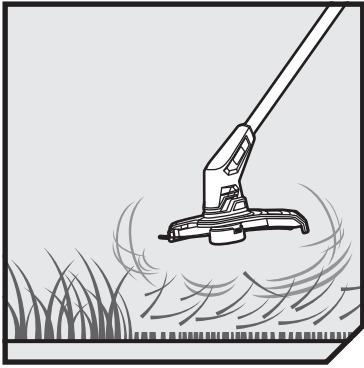


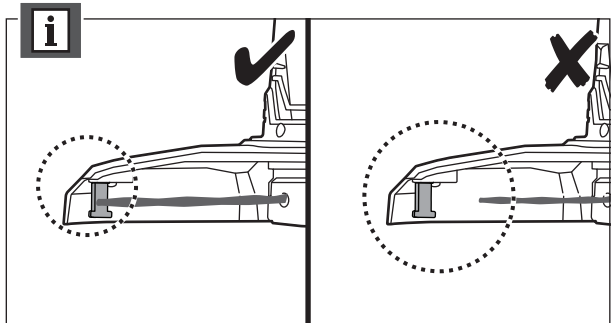
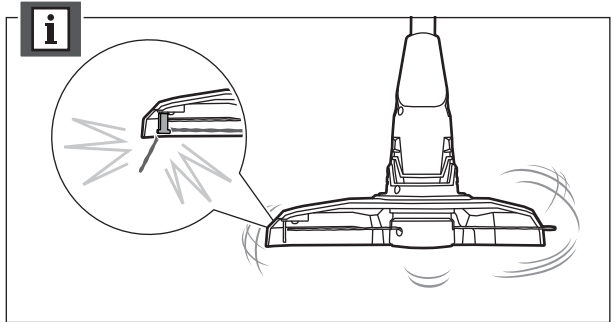
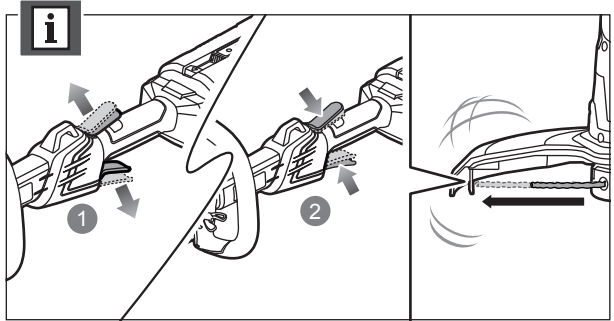
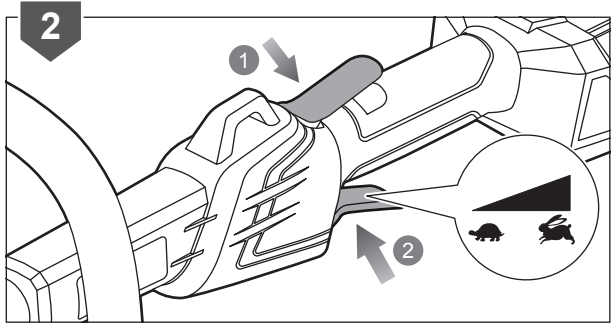


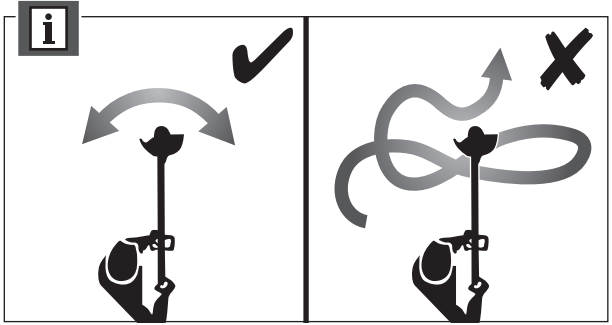
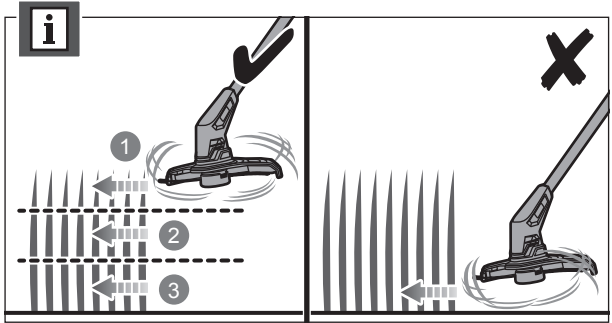


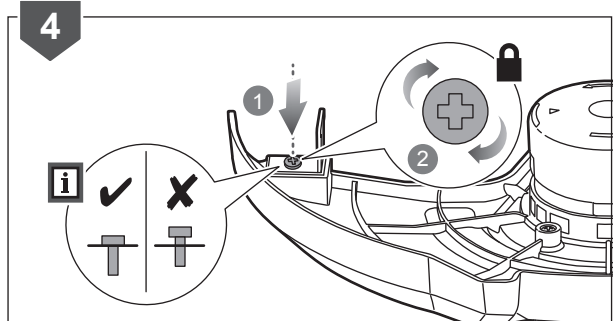
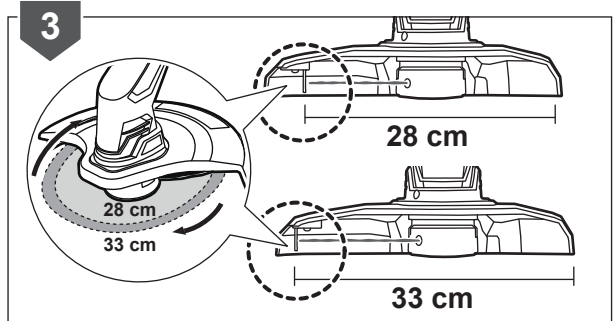
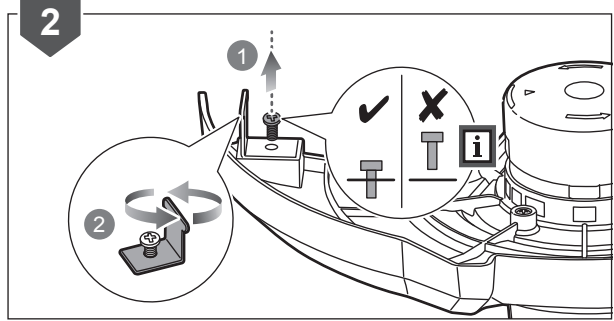
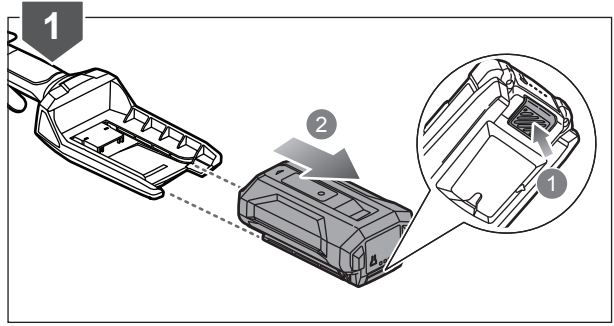
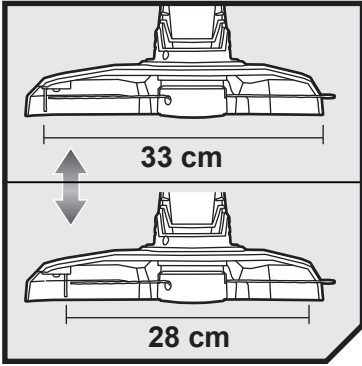


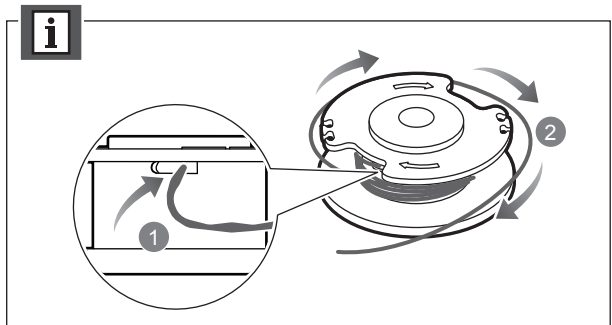
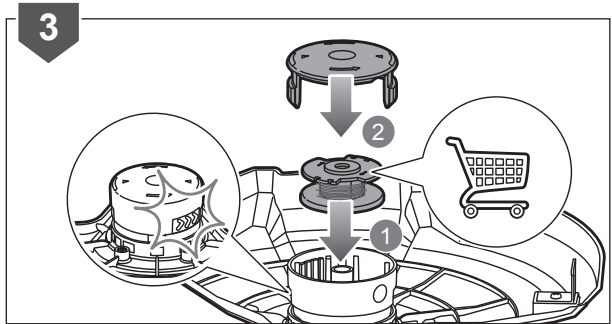
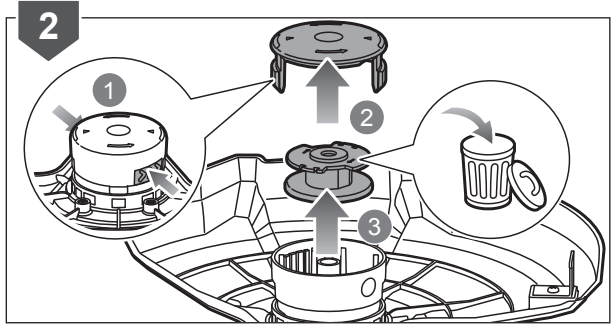
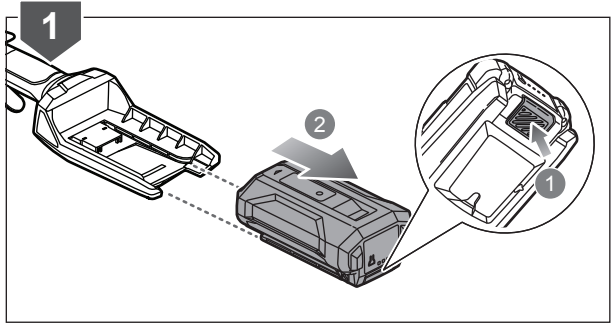
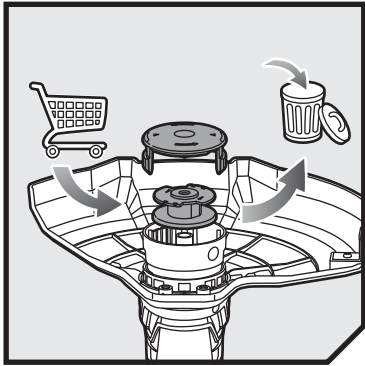


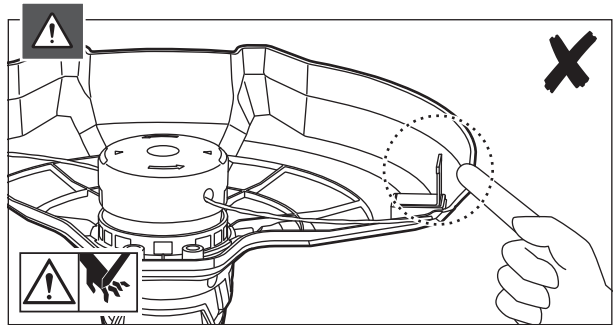
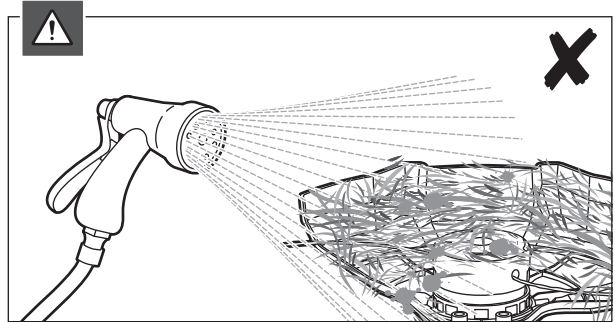
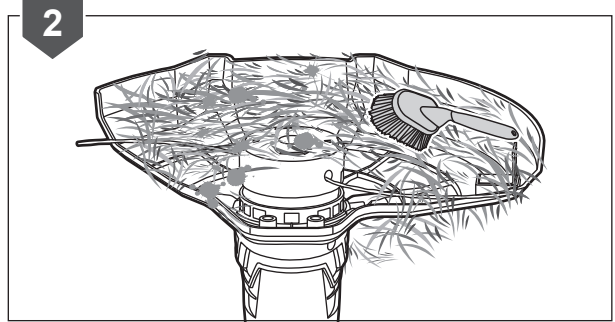
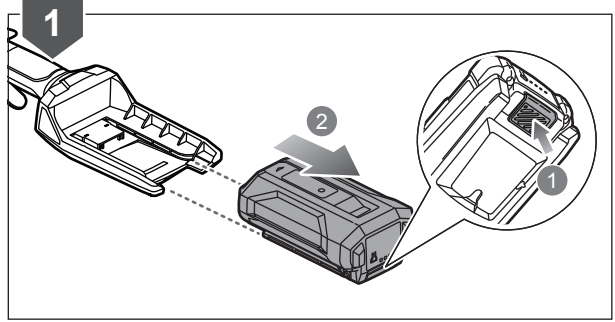
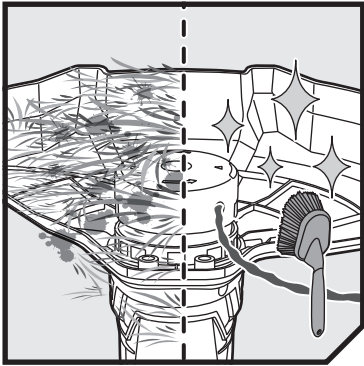


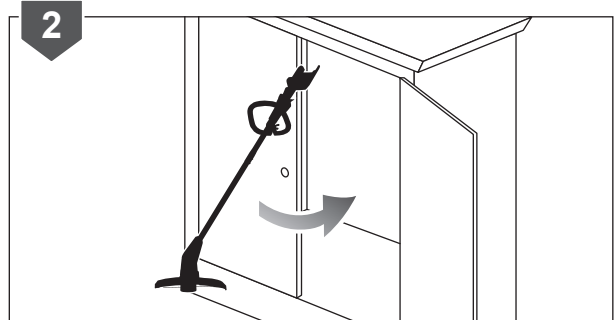
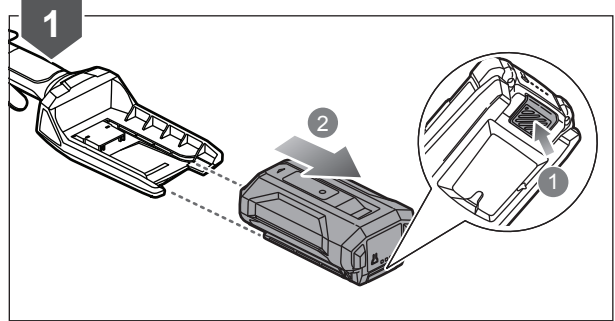
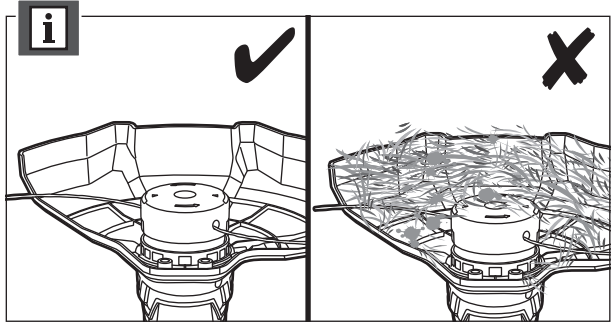
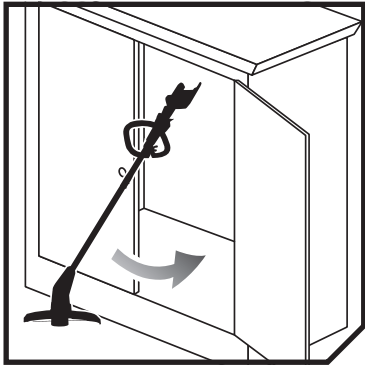














English	Français	Deutsch	Español	Italiano
Product specifications	Caractéristiques produit	Produkt-Spezifikationen	Características del producto	Caratteristiche del prodotto
Cordless Line Trimmer	Coupe-bordures sans fil	Akku-Rasentrimmer	Cortasetos inalámbrico	Tagliabordi a batterie
Model	Modèle	Modellnummer	Modelo	Modello
Voltage	Tension	Elektrische Spannung	Tensión	Voltaggio
No-load speed	Vitesse de rotation	Leerlaufgeschwindigkeit	Velocidad sin carga	Velocità senza carico
Cutting line diameter	Diamètre du Fil de Coupe	Schneidfaden-Durchmesser	Cortar el diámetro de la línea	Diametro linea di taglio
Cutting capacity	Capacité de coupe	Schnittbreite Durchmesser	Capacidad de corte	Capacità di taglio
Vibration total values determined according to EN 50636-2-91:2014	Valeurs totales de vibration déterminées selon la norme EN 50636-2-91:2014	Vibrationswerte gemäß EN 50636-2-91:2014	Valores totales de vibración determinados de acuerdo con lo establecido en la norma EN 50636-2-91:2014	Valori totali delle vibrazioni determinati secondo EN 50636-2-91:2014
Vibration emission value	Valeur d'émission de vibration	Schwingungsemissionswert	Valor de emisión de vibración	Valore di emissione vibrazioni
Front handle	Poignée avant	Vorderer Haltegriff	Mango delantero	Manico anteriore
Rear handle	Poignée arrière	Hinterer Haltegriff	Mango trasero	Manico posteriore
Uncertainty	Incertitude	Unsicherheit	Incertidumbre	Incertezza
Noise emission values determined according to EN 60335-1:2012+A11+A13	Valeurs d'émission sonore déterminées selon la norme EN 60335-1:2012+A11+A13	Geräuschemissionswerte gemäß EN 60335-1:2012+A11+A13	Valores de emisiones de ruido determinados de acuerdo con lo establecido en la norma EN 60335-1:2012+A11+A13	Valori di emissione sonora determinati secondo EN 60335-1:2012+A11+A13
A-weighted sound pressure level at operator's position	Niveau de pression sonore pondéré-A au niveau de l'opérateur	A-bewerteter Schalldruckpegel an der Position des Anwenders	Nivel de presión acústica ponderado A en la posición del operador	Livello di pressione sonora ponderata A alla posizione dell'operatore
Uncertainty	Incertitude	Unsicherheit	Incertidumbre	Incertezza
A-weighted sound power level	Niveau de puissance sonore pondéré-A	A-bewerteter Schalleis- tungspegel	Nivel de potencia acústica ponderada en A	Livello di potenza sonora pesato A
Uncertainty	Incertitude	Unsicherheit	Incertidumbre	Incertezza

English	Français	Deutsch	Español	Italiano
Battery and charger	Batterie et chargeur	Akku und Ladegerät	Bateria y cargador	Batteria e caricatore
Model	Modèle	Modell	Modelo	Modello
Battery pack	Bloc de batterie	Akku	Bateria	Batteria
Weight	Poids	Gewicht	Peso	Peso
Charger	Chargeur	Ladegerät	Cargador	Caricatore
Compatible battery packs	Packs batterie compatibles	Kompatible Akkus	Paquetes de batería compatibles	Gruppo batterie compatibili
Compatible charger	Chargeur compatible	Kompatible Ladegerät	Cargador compatible	Caricatore compatibile
Replacement part	Pièces de Rechange	Ersatzteile	Piezas de repuesto	Parti di ricambio
Complete spool	Bobine complète	Komplette Spule	Bobina completa	Bobina completa





Nederlands	Português	Dansk	Svenska	
Productgegevens	Características do aparelho	Produktspecifikationer	Produktspecifikationer	
Snoerloze gazontrimmer	Recortador de relvado eléctrico recarregável	Trådløse plænetrimmer	Sladdlösa grässtrimmern	
Model	Modelo	Model	Modell	RY36LT33A/ RY36LT33A-120
Spanning	Voltagem	Spænding	Spänning	36 V d.c.
Snelheid zonder lading	Velocidade sem carga	Tomgangshastighed	Hastighet utan belastning	6,400 – 7,400 /min
Maailijndiameter	Cortar o diâmetro da linha	Klippestrådsdiameter	Klippestrådens diameter	2,0 mm
Snijcapaciteit	Capacidade de corte	Skærekapacitet	Trimningskapacitet	28 – 33 cm
Totaalwaarden voor vibratie bepaald overeenkomstig EN 50636-2-91:2014	Valores totais de vibrações obtidos de acordo com a Norma EN 50636-2-91:2014	Samlede værdier for vibration fastsat i henhold til EN 50636-2-91:2014	Totala vibrationsvärden fastställda enligt EN 50636-2-91:2014	
Trillingsemisiewaarde	Valor de emissão de vibrações	Vibrationsemissionsværdi	Emissionsvärde vibration	
Voorste handvat	Pega frontal	Forhåndtag	Främre handtag	$a_h = 1,6 \text{ m/s}^2$
Achterste handvat	Pega traseira	Baghåndtag	Bakre handtag	$a_h = 0,8 \text{ m/s}^2$
Onzekerheid	Incerteza	Usikkerhed	Osäkerhet	$K = 1,5 \text{ m/s}^2$
Waarden voor geluidsemiszie bepaald overeenkomstig EN 60335-1:2012+A11+A13	Valores de emissão de ruído obtidos de acordo com a Norma EN 60335-1:2012+A11+A13	Støjemissionsværdier fastsat i henhold til EN 60335-1:2012+A11+A13	Bullernivåer fastställda enligt EN 60335-1:2012+A11+A13	
A-gewogen geluids-druk niveau bij positie van gebruiker	Nível de pressão acústica ponderada A na posição do operador	A-vægtet lydtryksniveau ved operatørens position	A-viktad ljudtrycksnivå vid operatørens plats	$L_{pA} = 76,0 \text{ dB}$
Onzekerheid	Incerteza	Usikkerhed	Osäkerhet	$K = 2,5 \text{ dB}$
A-gewogen geluidsniveau	Nível de potência sonora ponderada A	A-vægtet lydeffektniveau	A-vägd ljudeffektsnivå	$L_{WA} = 90,5$
Onzekerheid	Incerteza	Usikkerhed	Osäkerhet	$K = 1,3 \text{ dB}$



Nederlands	Português	Dansk	Svenska		
Accu en oplader	Bateria e carregador	Batteri og oplader	Batteri och batteriladdare		
Model	Modelo	Model	Modell	RY36LT33A-120	RY36LT33A
Accu	Bateria	Batteri	Batteri	BPL3626D2	-
Peso	Peso	Vikt	Vægt	1,43 kg	-
Lader	Carregador	Oplader	Batteriladdare	RY36C17A	-
Compatibele accupacks	Baterias compatíveis	Kompatible batterier	Kompatibla batteripaket	BPL3626D2, BPL3640, BPL3626D, BPL3640D, BPL3640D2, BPL3650D, BPL3650D2	
Compatibele oplader	Carregador compatível	Kompatibel oplader	Kompatibel laddare	BCL3620, BCL3620S, BCL30F, RY36C17A, RY36C60A	
Vervangonderdelen	Peças de substituição	Reserve dele	Utbytesdelar		
Volledige rol	Bobina completa	Komplet spole	Komplett spole	RAC102, RAC103, RAC133, RAC142, RAC143	





Suomi	Norsk	Русский	Polski	Čeština
Tuotteen tekniset tiedot	Produktspesifikasjoner	Характеристики изделия	Parametry techniczne	Technické údaje produktu
Akkukäyttöistä ruohotrimmerimme	Trådløse gresstrimmeren	Беспроводного триммер	Bezprzewodowa przyci-narka trawnika	Akumulátorové vyžinač trávnikú
Malli	Modell	Модель	Model	Model
Jännite	Spenning	Напряжение	Napięcie	Elektrické napětí
Nopeus ilman kuormaa	Tomgangshastighet	Холостая скорость	Prędkość obrotowa bez obciążenia	Rychlost naprázdno
Leikkuusiiman halkaisija	Diameter på klippesnoren	Диаметр режущей струны	Średnica żyłki tnącej	Průměr záběru
Leikkauskapasiteetti	Klippekapasitet	Сокращение вместимости	Szerokość cięcia	Řezací kapacita
Standardin EN 50636-2-91:2014 mukaiset tärinäarvot:	Totale vibrasjonsverdier bestemt i henhold til EN 50636-2-91:2014	Общие значения вибрации получены в соответствии со стандартом EN 50636-2-91:2014	Łączne poziomy vibracji określone zgodnie z normą EN 50636-2-91:2014	Hodnoty vibrací celkem určeny podle EN 50636-2-91:2014
Tärinäpäästöarvo	Verdien på utslippet fra vibreringen	Значение вибрационного воздействия	Poziom emisji vibracji	Úroveň vibrací
Etukädensija	Fremre håndtak	Передняя ручка	Uchwyt przedni	Přední rukojeť
Takakädensija	Bakre håndtak	Задняя ручка	Uchwyt tylny	Zadní rukojeť
Epätarkkuus	Usikkerhet	Погрешность	Niepewność pomiaru	Nejistota
Standardin EN 60335-1:2012+A11+A13 mukaiset melupäästöarvot:	Støyemisjonsverdier fastsatt etter EN 60335-1:2012+A11+A13	Значения уровней шума получены в соответствии со стандартом EN 60335-1:2012+A11+A13	Poziomy emisji hałasu określone zgodnie z normą EN 60335-1:2012+A11+A13	Hodnoty hladiny hluku určeny podle EN 60335-1:2012+A11+A13
A-painotettu käyttäjään kohdistuva äänenpainetaso	Støynivåvekting ved operatørens posisjon	Амплитудно-взвешенный уровень звукового давления на рабочем месте оператора	Poziom ciśnienia akustycznego (A) w miejscu operatora	Hladina akustického tlaku vážená funkcí A v poloze obsluhy
Epätarkkuus	Usikkerhet	Погрешность	Niepewność pomiaru	Nejistota
A-painotettu äänenteho	A-vektet lydeffektivité	Уровень А-взвешенной звуковой мощности	A-ważony poziom natężenia hałasu	Hladina akustického výkonu vážená funkcí A
Epätarkkuus	Usikkerhet	Погрешность	Niepewność pomiaru	Nejistota



Suomi	Norsk	Русский	Polski	Čeština
Akku ja laturi	Batteri og lader	Аккумуляторная батарея и зарядное устройство	Akumulator i ładowarka	Nabíječka a baterie
Malli	Modell	Модель	Model	Model
Akku	Batteri	Аккумулятор	Akumulator	Baterie
Vekt	Paino	Вес	Greutate	Waga
Laturi	Lader	Зарядное устройство	Ładowarka	Nabíječka
Yhteensopivat akut	Kompatible batteripakker	Совместимая аккумуляторная батарея	Pasujące akumulatory	Kompatibilní akumulátory
Yhteensopiva laturi	Kompatibel lader	Совместимое зарядное устройство	Odpowiednia ładowarka	Kompatibilní nabíječka
Varaosat	Erstatningsdeler	Запасные части	Części zamienne	Náhradní díly
Täydellinen kela	Fullstendig spole	Катушка в сборе	Kompletna szpula	Úplná cívka





Magyar	Română	Latviski	Lietuviškai	
Termék műszaki adatai	Specificațiile produsului	Produkta specifikācijas	Gaminio techninės savybės	
Vezeték nélküli fűkasztát	Motocoasa cu acumulator de tuns gazonul	Bezvadu zāles trimmeris	Beļaidē pievelēs žoliapjovē	
Típus	Model	Modelis	Modelis	RY36LT33A/ RY36LT33A-120
Feszültség	Tensiune	Spriegums	Ītampa	36 V d.c.
Üresjárati fordulatszám	Vitezā fārā sarcinā	Ātrums bez slodzes	Greitis be apkrovimo	6,400 – 7,400 /min
Vágószál átmérő	Diametru fir de tăiere	Griezējvada diametrs	Pjovimo līnijos diametras	2,0 mm
Vágási teljesítmény	Lungimea de tăiere	Griešanas dzijums	Pjovimo talpa	28 – 33 cm
A rezgés kibocsátási értékek meghatározása az EN 50636-2-91:2014 szabvány szerint történt.	Valori ale vibrațiilor determinate conform EN 50636-2-91:2014	Vibrāciju kopējās vērtības, kas noteiktas saskaņā ar EN 50636-2-91:2014	Vibrācijas bendrosios vērtės nustatytos pagal EN 50636-2-91:2014	
Rezgés kibocsátási értéke	Valoarea vibrațiilor	Vibrāciju veidošanās vērtība	Vibrācijas emisijos vērtē	
Elülső fogantyú	Măner anterior	Priekšējais rokturis	Priekinė rankena	$a_h = 1,6 \text{ m/s}^2$
Hátsó fogantyú	Măner posterior	Aizmugurējais rokturis	Galinė rankena	$a_h = 0,8 \text{ m/s}^2$
Bizonytalanság	Incertitudine	Nenoteiktība	Nepastovumas	$K = 1,5 \text{ m/s}^2$
A zajkibocsátási értékek meghatározása az EN 60335-1:2012+A11+A13 szabvány szerint történt.	Valori ale emisiilor sonore determinate conform EN 60335-1:2012+A11+A13	Trokšņu līmeņa vērtības, kas noteiktas saskaņā ar EN 60335-1:2012+A11+A13	Triukšmo emisijos vērtės nustatytos pagal EN 60335-1:2012+A11+A13	
A-súlyozott hangnyomásszint a kezelő helyén	Nivel presiune sunet greutate A la poziția operatorului	Lietotāja pozīcijā ir ar A novērtēts skaņas spiediena līmenis	A svorisnis triukšmo slėgio lygis operatoriaus padėtyje	$L_{pA} = 76,0 \text{ dB}$
Bizonytalanság	Incertitudine	Nenoteiktība	Nepastovumas	$K = 2,5 \text{ dB}$
A-súlyozott hangteljesítményszint	Nivel de putere acustică ponderată A	A-līmeņa skaņas jaudas līmenis	A-svertinis akustinis lygis	$L_{WA} = 90,5$
Bizonytalanság	Incertitudine	Nenoteiktība	Nepastovumas	$K = 1,3 \text{ dB}$

Magyar	Română	Latviski	Lietuviškai	
Akkumulátor és töltő	Bateria și încărcătorul	Akumulators un lādētājs	Akumulatorius ir įkroviklis	
Típus	Model	Modelis	Modelis	RY36LT33A-120 RY36LT33A
Akkumulátor	Acumulator	Akumulators	Baterija	BPL3626D2 -
Bec	Tömeg	Teža	Težina	1,43 kg -
Töltő	Încărcător	Lādētājs	Įkroviklis	RY36C17A -
Kompatibilis akkumulátorok	Acumulatori compatibili	Savietojami akumulatoru komplekti	Suderinami baterijos paketai	BPL3626D2, BPL3640, BPL3626D, BPL3640D, BPL3640D2, BPL3650D, BPL3650D2
Kompatibilis töltő	Încărcător compatibil	Saderīgs lādētājs	Tinkamas įkroviklis	BCL3620, BCL3620S, BCL30F, RY36C17A, RY36C60A
Cserealkatrészek	Piese de schimb	Rezerves daļas	Atsarginės detalės	
Teljes orsó	Mosor complet	Spole komplektā	Pilna rītē	RAC102, RAC103, RAC133, RAC142, RAC143



Eesti	Hrvatski	Slovensko	Slovenčina
Toote tehnilised andmed	Spetsifikacije proizvoda	Spetsifikacije izdelka	Špecifikácie produktu
Juhtmata murutrimmeri	Bežični trimmer za travnjak	Brezžično kosilnica za trato	Akumulatorový vyžinač na trávu
Mudel	Model	Model	Modelis
Pinge	Napon	Napetost	Napätie
Tühikäigukiirus	Brzina bez opterećenja	Hitrost neobremenjenega motorja	Rýchlosť naprázdno
Trimmerijõhvi läbimõõt	Promjer flaksa	Premer rezalne nitke	Priemer rezného drôtu
Lõikevõimsus	Duljina rezanja	Kapaciteta rezanja	Kapacita rezania
Vibratsioonitase, mis määratakse vastavalt standardile EN 50636-2-91:2014	Ukupne vrijednosti vibracije određene su u skladu sa standardom EN 50636-2-91:2014	Skupne vrednosti vibracij, določene v skladu z EN 50636-2-91:2014	Celkové hodnoty vibrácií stanovené podľa normy EN 50636-2-91:2014
Vibratsioonitase	Vrijednost emisije vibracija	Vrednost oddajanja vibracij	Hodnota emisií vibrácií
Eesmine käepide	Prednja ručka	Sprednji ročaj	Predná rukoväť
Tagumine käepide	Stražnja ručica	Zadnji ročaj	Zadná rukoväť
Määramatus	Neodređenost	Negotovost	Neurčitost'
Müratase mis määratakse vastavalt standardile EN 60335-1:2012+A11+A13	Vrijednosti emisije buke određene su u skladu sa standardom EN 60335-1:2012+A11+A13	Vrednosti emisij hrupa, določene v skladu z EN 60335-1:2012+A11+A13	Hodnoty emisií hluku stanovené podľa normy EN 60335-1:2012+A11+A13
A-kaalutud helirõhu tase operatoori tőökohal	Ponderirana razina zvučne snage na položaju operatera.	Z A ovrednotena vrednost zvočnega tlaka pri upravljavcu	Vážená A hladina akustického tlaku na pozícii obsluhujúcej osoby
Määramatus	Neodređenost	Negotovost	Neurčitost'
A-kaalutud helivõimsuse tase	Ponderirana razina zvučne snage	A-izmerjena raven zvočne moči	Vážená A hladina akustického výkonu
Määramatus	Neodređenost	Negotovost	Neurčitost'

Eesti	Hrvatski	Slovensko	Slovenčina
Aku ja laadija	Baterija i punjač	Baterija in polnilnik	Akumulator a nabijačka
Mudel	Model	Model	Modelis
Aku paketiga	Baterija	Akumulator	Batéria
Mass	Masé	Svars	Hmotnosť
Laadija	Punjač	Polnilec	Nabijačka
Ühilduvad akupaketid	Kompatibilna pakiranja baterija	Združljive baterije	Kompatibilné jednotky akumulátorov
Ühilduv laadija	Kompatibilni punjači	Združljiv polnilec	Kompatibilná nabijačka
Asendusosad	Zamjena dijelova	Nadomestni deli	Náhradné diely
Komplektne pool	Cijela špula	Celotna tuljava	Kompletná cievka



България	українська мова	Türkçe	
Технически характеристики	Технічні характеристики пристрою	Ürün teknik özellikleri	
Безжичният тример за трева	Бездротовий газонний триммер	Kablosuz Ot Biçme Makinesi	
Модел	Модель	Model	RY36LT33A/ RY36LT33A-120
Напрежение	Напруга	Voltaj	36 V d.c.
Скорост в ненатоварен режим	Швидкість без навантаження	Yüksüz hız	6,400 – 7,400 /min
Диаметър на режещото влакно	Диаметр ріжучої лінії	Kesme hattı çapı	2,0 mm
Капацитет на рязане	Ріжуча здатність	Kesme Kapasitesi	28 – 33 cm
Общи стойности на вибрация, определени според EN 50636-2-91:2014	Загальні значення вібрації, визначені згідно з EN 50636-2-91:2014	EN 50636-2-91:2014'e göre belirlenmiş toplam titreşim değerleri:	
Стойност на излъчените вибрации	Рівень вібрації	Titreşim emisyon değeri	
Предна ръкохватка	Передня ручка	Ön Kulp	$a_H = 1,6 \text{ m/s}^2$
Задна ръкохватка	Задня ручка	Arka Kulp	$a_H = 0,8 \text{ m/s}^2$
Променливост	Похибка	Belirsiz	$K = 1,5 \text{ m/s}^2$
Стойности на шумови емисии, определени според EN 60335-1:2012+A11+A13	Значення викидів шуму, визначених згідно з EN 60335-1:2012+A11+A13	EN 60335-1:2012+A11+A13'e göre belirlenmiş ses emisyon değerleri :	
Ниво на шумово налягане с равнище А на мястото на оператора	Рівень звукового тиску за шкалою А для оператора пристрою	Kullanıcı pozisyonundaki A ağırlıklı ses basıncı seviyesi	$L_{pA} = 76,0 \text{ dB}$
Променливост	Похибка	Belirsiz	$K = 2,5 \text{ dB}$
Ниво на силата на шума с равнище А	А-зважений рівень звукової потужності	A ağırlıklı ses gücü seviyesi	$L_{WA} = 90,5$
Променливост	Похибка	Belirsiz	$K = 1,3 \text{ dB}$



България	українська мова	Türkçe		
Батерия и зарядно устройство	Акумулятор і зарядний пристрій	Pil ve şarj cihazı		
Модел	Модель	Model	RY36LT33A-120	RY36LT33A
Батерия	Акумуляторна батарея	Pil	BPL3626D2	-
Тегло	Вага	Ağırlık	1,43 kg	-
Зарядно устройство	Зарядний пристрій	Şarj cihazı	RY36C17A	-
Съвместими батерии	Сумісні акумуляторні блоки	Uyumlu pil takımları	BPL3626D2, BPL3640, BPL3640D2, BPL3650D, BPL3650D2	
Съвместимо зарядно устройство	Сумісний зарядний пристрій	Uyumlu şarj cihazı	BCL3620, BCL3620S, BCL30F, RY36C17A, RY36C60A	
Резервни части	Запасні частини	Yedek Parça		
Окомплектована ролка	Повна катушка	Tam daire	RAC102, RAC103, RAC133, RAC142, RAC143	



EN Vibration level

The declared vibration value has been measured with a standard test method and may be used to compare one tool with another.

The declared vibration value may be used in a preliminary assessment of exposure.

The vibration emission during actual use of power tool can differ from the declared total value depending on the ways in which the tool is used.

Identify safety measures to protect yourself based on an estimation of exposure in the actual conditions of use, taking account of all parts of the operating cycle such as the times when the tool is switched off and when it is running idle in addition to the trigger time.

FR Niveau de vibrations

La valeur déclarée totale des vibrations a été mesurée selon une méthode de test standardisée qui peut être utilisée pour comparer un outil avec un autre.

La valeur déclarée totale des vibrations peut également être utilisée pour évaluer par avance le niveau d'exposition.

La valeur des vibrations réellement produites durant l'utilisation de l'outil électrique peuvent différer de la valeur totale déclarée, en fonction de la manière dont l'outil est utilisé.

Identifiez les mesures de sécurité à prendre pour vous protéger, sur la base d'une estimation de l'exposition réelle, en tenant compte de tous les éléments du cycle d'utilisation tels que le temps d'arrêt de l'outil et le temps de son fonctionnement au ralenti, en plus du temps de fonctionnement normal.

DE Vibrationsgrad

Der angegebene Vibrationswert wurde durch eine Standard-Testmethode ermittelt und kann dazu verwendet werden, ein Werkzeug mit einem anderen zu vergleichen.

Der angegebene Vibrationswert kann für eine Vorabbeurteilung der Exponierung herangezogen werden.

Die Vibrationsemissionen bei der tatsächlichen Benutzung von Elektrowerkzeugen kann sich, abhängig von der Art der Benutzung des Werkzeugs, von dem genannten Wert unterscheiden.

Identifizieren Sie aufgrund einer Einschätzung der Exponierung unter tatsächlichen Einsatzbedingungen Maßnahmen zum eigenen Schutz, unter Berücksichtigung aller Bestandteile des Betriebszyklus, wie die Zeiten zu denen das Werkzeug ausgeschaltet ist, und zu denen es sich zusätzlich zu den Auslösezeitpunkten im Leerlauf befindet.

ES Nivel de vibración

El valor declarado de vibraciones se ha medido con un método de prueba estándar y puede utilizarse para comparar una herramienta con otra.

El valor declarado de vibraciones puede utilizarse en una evaluación preliminar de exposición.

La emisión de las vibraciones durante el uso real de la herramienta eléctrica puede diferir del valor total declarado según el uso que se le dé a la herramienta.

Identifique las medidas de seguridad para protegerse en base a una estimación de la exposición en las condiciones reales de uso, teniendo en cuenta todas las partes del ciclo de funcionamiento, como los tiempos en que la herramienta está apagada y cuando está en ralentí, además del tiempo de activación.

IT Livello di vibrazioni

Il valore delle vibrazioni dichiarato deve essere misurato con un metodo di test standard e può essere utilizzato per paragonare un utensile a un altro.

Il valore dichiarato delle vibrazioni può essere utilizzato nella valutazione preliminare dell'esposizione.

L'emissione delle vibrazioni durante l'utilizzo dell'utensile può essere diversa dal valore totale dichiarato a seconda dei modi in cui l'utensile viene utilizzato.

Individuare misure di sicurezza per proteggersi basate su una stima dell'esposizione nelle attuali condizioni di utilizzo, prendendo in considerazione tutte le parti del ciclo operativo come i tempi in cui l'utensile viene spento o quando funziona al minimo oltre al tempo di attivazione.

NL Trillingsniveau

De aangegeven trillingswaarde werd gemeten met behulp van een standaard testmethode en kan worden gebruikt om gereedschap met elkaar te vergelijken.

De aangegeven trillingswaarde kan worden gebruikt in een voorlopige blootstellingsanalyse.

De trillingsemisatie tijdens het gebruik van het werktuig kan verschillen van de aangegeven totale waarde, afhankelijk van de manier waarop het werktuig wordt gebruikt.

Neem veiligheidsmaatregelen om uzelf te beschermen op basis van een inschatting van de blootstelling in de huidige gebruiksomstandigheden, rekening houdend met alle onderdelen van de bedrijfscyclus, zoals de tijd dat het werktuig wordt uitgeschakeld en het stationair draait, bovenop de bedrijfstijd.

PT Nivel de vibração

O valor de vibração declarado foi medido com um método de teste padrão e pode ser usado para comparar uma ferramenta com outra.

O valor de vibração declarado pode ser utilizado numa avaliação preliminar da exposição.

A emissão das vibrações durante o uso real da ferramenta eléctrica pode diferir do valor total declarado segundo o uso que se der à ferramenta.

Identifique as medidas de segurança para se proteger com base numa estimativa de exposição nas actuais condições de uso, tendo em conta todas as peças do ciclo de funcionamento, como as vezes que a ferramenta é desligada e quando está a trabalhar em ralentí para além do tempo de gatilho.

DA Vibrationsniveau

Den erklærede vibrationsværdi er målt i henhold til en standard-testmetode og kan bruges til at sammenligne forskellige værktøjer indbyrdes.

Den erklærede vibrationsværdi kan bruges som en foreløbig vurdering af eksponeringen.

Vibrationsemissionen ved praktisk brug af elværktøjet kan variere fra den erklærede totalværdi, alt efter hvordan værktøjet anvendes.

Træf passende sikkerhedsforanstaltninger for at beskytte dig selv ud fra den skønnede eksponering for risici under de aktuelle anvendelsesforhold, hvor du - ud over den effektive arbejdstid - også tager højde for de varierende perioder, som fx når værktøjet er slukket, og når det kører i tomgang.

SV Vibrationsnivå

Det angivna vibrationsvärdet har uppmätts med en standardmetod och kan användas för att jämföra med andra kraftverktyg.

Det angivna vibrationsvärdet kan användas i en preliminär analys av vibrationerna som användaren utsätts för.

De vibrationer som uppstår vid användningen av el-verktyget kan skilja sig från det uppgivna totalvärdet beroende på det sätt som verktyget används på.

Vidtag säkerhetsåtgärder för ditt personliga skydd utifrån den exponering som sker under användningen, ta hänsyn till all användning som då verktyget är avstängt och när det går på tomgång förutom den faktiska brukstiden.

FI Tärinätaso

Ilmoitettu tärinäarvo on mitattu tavallisin testimenetelmin, ja sitä voidaan käyttää verrattaessa laitetta toiseen.

Ilmoitettua tärinäarvoa voidaan käyttää arvioitaessa tärinävaikutusta.

Sähkötyökäulun todellisen käytön aikainen tärinä saattaa poiketa ilmoitetusta kokonaisarvosta, laitteen käyttötavasta riippuen.

Määritä käyttäjän suojakeinot, jotka perustuvat todellisten käyttöolosuhteiden tärinävaikutusarvioon, ottaen huomioon kaikki käyttöjaksos osat, kuten ajan, jonka laite on sammuksissa ja käy tyhjäkäynnillä, varsinaisen sahausajan lisäksi.

NO Vibrasjonsnivå

Den oppgitte vibrasjonsverdien er målt med en standard testmetode og kan benyttes for å sammenligne ett verkøy med et annet.

Den oppgitte vibrasjonsverdien kan benyttes for en foreløpig angivelse av eksponering.

Vibrasjonene ved faktisk bruk av et elektrisk verkøy kan skille seg fra oppgitte totalverdier avhengig av måten verktøyet brukes på.

Identifiser sikkeringstiltak som beskytter deg selv, basert på et anslag for eksponering i den faktiske brukssituasjonen der man tar hensyn til alle brukssykluser, som tidspunktet da maskinen ble slått av og når den går på tomgang i tillegg til tiden når verktøyet arbeider.

RU Уровень вибрации

Заявленная величина вибрации измерялась в соответствии со стандартной методикой проведения испытаний и может использоваться для сравнения одного инструмента с другим.

Заявленная величина вибрации может использоваться при предварительной оценке характеристик.

Уровень вибрации при работе электроинструмента может отличаться от заявленной общей величины вибрации в зависимости от условий его использования.

Выберите средства защиты оператора с учетом реальных условий эксплуатации, принимая во внимание все факторы рабочего цикла, такие как время, в течение которого инструмент был выключен, и время его работы в холостом режиме.

PL Poziom drgań

Deklarowany poziom drgań został zmierzony za pomocą standardowej metody pomiaru i jego wyniki mogą służyć do porównywania tego urządzenia z innymi.

Deklarowana wartość drgań może służyć do wstępnej oceny narażenia operatora na wibracje.

Emisja drgań podczas użytkowania elektronarzędzi może różnić się od zadeklarowanej wartości, w zależności od sposobu użytkowania urządzenia.

Określić zasady bezpieczeństwa, oparte na oszacowaniu narażenia operatora w rzeczywistych warunkach użytkowania, uwzględniając wszystkie elementy cyklu operacyjnego, takie jak czasy wyłączenia oraz czasy pracy bez obciążenia, oprócz czasu pracy przy wcisniętym przycisku uruchamiania.

CS Úroveň vibrací

Uznaná hodnota vibrací byla naměřena pomocí standardního testovacího postupu a lze ji použít k porovnání s jiným nástrojem.

Uznaná hodnota vibrací se může používat k předběžnému odhadu vystavování nářadím.

Aktuální hodnoty vibrací během používání nástroje se mohou lišit od výše uvedených a mohou se lišit dle použitého nástroje.

Určete bezpečnostní opatření pro vlastní ochranu, která jsou založena na odhadu vystavení v aktuálních podmínkách používání, popisu všech částí pracovního cyklu jako doby, kdy je nástroj vypnut a když běží naprázdno, kromě doby spuštění.

HU Vibrációs szint

A megadott vibrációs érték szabványos tesztmódszerrel lett meghatározva, és két szerszám összehasonlításakor is használható.

A megadott vibrációs érték a vibrációnak való kitettség előzetes becsüléséhez is felhasználható.

A vibráció-kibocsátás a szerszámgép tényleges használat során elterhet a nyilatkozatban szereplő teljes értéktől; ez függ a gép használatának módjától.

Határozza meg a saját védelmét szolgáló óvintézkedéseket az adott használati körülmények között érvényes kitettség felmérésével, figyelembe véve a használat teljes időtartamát, vagyis beleértve azokat az időszakokat, amikor a gép ki van kapcsolva, vagy bekapcsolt állapotban üresjáróban működik.

RO Nivelul vibrațiilor

Valoarea declarată a vibrațiilor a fost măsurată cu o metodă de testare standard și poate fi utilizată pentru a compara o unealtă cu alta.

Valoare declarată a vibrațiilor poate fi utilizată într-o evaluare preliminară a expunerii.

Emisia de vibrații în timpul folosirii efective a uneltei electrice poate diferi de valoarea totală declarată în funcție de modulele în care este utilizată unealta.

Identificați măsurile de siguranță pentru a vă proteja, pe baza estimării expunerii la condițiile efective de utilizare, luând în considerare toate etapele ciclului de operare, precum momentele în care unealta este oprită și atunci când funcționează în gol, suplimentar momentului declanșării.



LV Vibrācijas līmenis

Nosauktais vibrācijas līmenis ir ticis izmērīts ar standarta pārbaudes metodi un var tikt izmantots, lai salīdzinātu vienu instrumentu ar citu.

Nosauktā vibrācijas vērtība var tikt izmantota sākotnējās iedarbības novērtējumam.

Elektrinstrumenta vibromeisija reālā darba laikā var atšķirties no norādītās kopējās vērtības atkarībā no veidiem, kā instruments tiek lietots.

Nosauktie drošības pasākumus, lai sevi aizsargātu, balstoties uz saskares ilguma novērtējumu atbilstoši lietošanas apstākļiem, ņemot vērā visas lietošanas cikla daļas, tostarp laikus, kad instruments tiek izslēgts un kad tas darbojas tukšgaitā papildus darbināšanas laikam.

LT Vibracijos lygis

Deklaruotās vibrācijas lygis yra išmatuotas standartinio testo metu ir gali būti naudojamas vieno įrankio su kitu palyginimui.

Deklaruotās vibrācijas lygis gali būti naudojamas preliminariam pavojaus įvertinimui.

Elektrinio įrankio naudojimo metu vibracijos lygis gali skirtis nuo deklaruotos bendrosios vertės pagal įrankio naudojimo būdus.

Nustatykite saugumo priemones, kad apsisaugotumėte, kurios pagrįstos pavojaus įvertinimu pačiose naudojimo sąlygose, atkreipiant dėmesį į visas darbo ciklo dalis, pvz. laikotarpį, kai įrankis yra išjungtas ir kai veikia tuščiaja eiga bei perjungimo laiką.

ET Vibratsioonitase

Deklareeritud vibratsiooniväärtus on mõeldud standardse testimiseotodiga ja seda võib kasutada tööriistade omavaheliseks võrdlemiseks.

Deklareeritud vibratsiooniväärtust võib kasutada mürataseme eelhindamiseks.

Olenevalt seadme kasutusviisist võib mehaanilise tööriista töötamisel ilmneva vibratsiooniemissioon, mille suurus erineb deklareeritud väärtustest.

Kasutaja kaitsmiseks seadmega töötamisel tuleb kindlaks teha turvameetmed, mis põhinevad tegetlikes kasutustingimustes esinevale vibratsioonile, sealjuures tuleb arvesse võtta kõiki töotsükli osi, lisaks sisselüüritatud olekule näiteks ka vibratsiooni väljalülitamise ajal ja tühi ajal.

HR Razina vibracije

Objavljena vrijednost vibracija je izmjerena standardnom metodom testiranja i može se koristiti za usporedbu jednog alata s drugim.

Objavljena vrijednost vibracija može se koristiti u početnom usklađivanju izloženosti.

Razina vibracija tijekom trenutne uporabe AKU alata može se razlikovati od deklarirane ukupne vrijednosti ovisno o načinima na koje se alat koristi.

Identificirajte sigurnosne mjere za svoju zaštitu na temelju procjene izloženosti u trenutim uvjetima korištenja, uzevši u obzir sve dijelove radnog ciklusa kao što su vrijeme kada je alat isključen i kada je pokrenut u praznom hodu u dodatku vremenu pokretanja.

SL Raven vibracij

Navedena vrednost vibracij je bila izmerjena s standardno metodo testiranja in se lahko uporabi za primerjavo različnih orodij.

Navedena vrednost vibracij se lahko uporabi za predhodne ocene izpostavljenosti.

Emisije med dejansko uporabo električnega orodja se od navedene vrednosti lahko razlikujejo, odvisno od načina, kako se orodje uporablja.

Ugotovite varnostne ukrepe za zaščito upravljalca, ki temeljijo na oceni izpostavljenosti v dejanskih pogojih uporabe, pri tem pa je treba upoštevati vse dele delovnega cikla – npr. ko je orodje izključeno in ko je v prostem teku in čas zagona.

SK Úroveň vibrácií

Deklarovaná hodnota vibrácií bola meraná podľa štandardnej testovacej metódy a možno ju používať na porovnanie jedného nástroja s iným.

Deklarovaná hodnota vibrácií sa dá použiť aj v predbežnom odhade expozície.

Úroveň emisii počas samotného používania elektrického nástroja sa môže líšiť od deklarovanej celkovej hodnoty v závislosti od toho, ktorý nástroj sa používa.

Identifikujte bezpečnostné opatrenia na vašu ochranu ne základe posúdenia skutočných podmienok použitia, pričom vezmite do úvahy všetky časti prevádzkového cyklu, napríklad časov, kedy je nástroj vypnutý a kedy pracuje na voľnobehu okrem času spúšťania.

BG Ниво на вибрация

Посочената стойност за вибрациите е измерена с помощта на стандартен тест и може да се използва за сравнение с друг инструмент.

Посочената стойност за вибрациите може да бъде използвана в предварително оценяване за излагане на вибрации.

Вибрациите по време на действителната употреба на електромеханичния инструмент може да се различават от обявената обща стойност в зависимост от начините, по които се използва инструментът.

Определете мерки за безопасност за собствена защита според преценка за излагането на вибрации в реални условия, като се вземат предвид всички елементи на работния цикъл, като например времето, в което инструментът е изключен и когато работи на празен ход, както и времето за задействане.

UK Рівень вібрації

Оголошене значення вібрації було виміряно за допомогою стандартного методу випробування і може бути використане для порівняння одного інструмента з іншим.

Він може бути використаний для попередньої оцінки впливу.

Емісія вібрації під час фактичного використання електрострументу може відрізнятись від заявленого значення залежно загального використання інструменту.

Визначити заходи безпеки, щоб захистити себе на основі оцінки впливу в реальних умовах використання, з урахуванням всіх частин робочого циклу, коли інструмент вимкнений, і коли він працює в холостому режимі, доповнюючи робоче положення.



TR Titreşim seviyesi

Beyan edilen titreşim değeri standart bir test yöntemi ile ölçülmüştür ve bir aleti diğeriyle karşılaştırmak için kullanılabilir.

Beyan edilen titreşim değeri bir maruz kalma ön değerlendirmesinde kullanılabilir.

Güç destekli aletin fiili kullanımı sırasında meydana gelen titreşim emisyonu aletin kullanıma şekline bağlı olarak beyan edilen toplam değerden farklı olabilir.

Kendinizi korumak için aletin açılıp kapatılma sayısı ve tetik süresinin yanı sıra rölantide çalıştığı zaman gibi çalışma döngüsünde yer alan tüm parçaları dikkate alarak gerçek kullanım koşullarında maruz kalma hesaplamasına dayalı güvenlik önlemlerini belirleyin.

EN RYOBI® WARRANTY APPLICATION CONDITIONS

In addition to any statutory rights resulting from the purchase, this product is covered by a warranty as stated below.

- The warranty period is 24 months for consumers and commences on the date when the product was purchased. This date has to be documented by an invoice or other proof of purchase. The product is designed and dedicated to consumer and private use only. So there is no warranty provided in case of professional or commercial use. This warranty applies only on new products.
- There is a possibility to extend for a part of the range of power tools (AC/DC) the warranty period over the period described above using the registration on the www.ryobitools.eu website. The eligibility of products for extended warranty is clearly displayed in stores and / or on packaging and is contained within the product documentation. The end user is required to register his/her newly-acquired products online within 30 days from the date of purchase. The end user may register for the extended warranty in his/her country of residence if listed on the online registration form where this option is valid. Furthermore, end users must give their consent to the storage of their personal data that is required to be entered online. They must also accept the terms and conditions. The registration confirmation receipt, which is sent out by e-mail, and the original invoice showing the date of purchase will serve as proof of the extended warranty.
- The warranty covers all defects of the product during the warranty period due to faults in workmanship or material at the purchase date. The warranty is limited to repair and/or replacement and does not include any other obligations including but not limited to incidental or consequential damages. The warranty is not valid if the product has been misused, used contrary to the instruction manual, or has been incorrectly connected to a power supply. This warranty does not apply to:
 - any damage to the product that is the result of improper or lack of maintenance
 - any product that has been altered or modified
 - any product where original identification (trade mark, serial number) markings have been defaced, altered or removed
 - any damage caused by non-observance of the instruction manual
 - any product not displaying the CE approval mark on the rating plate
 - any product that has been attempted to be repaired by a non-authorised warranty service centre or without prior authorisation by Techtronic Industries
 - any product connected to improper power supply (amps, voltage, frequency)
 - any product used with inappropriate fuel mixture (fuel, oil, ratio of oil/ fuel mixture)
 - any damage caused by external influences (water, chemical, physical, shocks) or foreign substances
 - normal wear and tear spare parts
 - inappropriate use, overloading of the tool
 - use of non-approved accessories or parts
 - Accessories provided with the tool or purchased separately including but not limited to blades, saw chains, cutting lines, etc.
 - Any periodic adjustments to or maintenance cleaning of carburettors
 - Components (parts and accessories) subject to natural wear and tear, including but not limited to bump knobs, drive belts, clutch, blades of hedge trimmers or lawn mowers, harness, cable throttle, carbon brushes, power cord, tines, felt washers, hitch pins, blower fans, blower and vacuum tubes, vacuum bag and straps, guide bars, saw chains, hoses, connector fittings, spray nozzles, wheels, spray wands, inner reels, outer spools, cutting lines, spark plugs, air filters, gas filters, mulching blades, etc.
- For servicing, the product must be sent or presented to a RYOBI authorised service station listed for each country in the following list of service station addresses. In some countries your local RYOBI dealer undertakes to send the product to the RYOBI service organisation. When sending a product to a RYOBI service station, the product should be safely packed without any dangerous contents such as petrol, marked with sender's address and accompanied by a short description of the fault.
- A repair / replacement under this warranty is free of charge. It does not constitute an extension or a new start of the warranty period. Exchanged parts or products become our property. In some countries delivery charges or postage will have to be paid by the sender. Your statutory rights arising from the purchase of the product remain unaffected.
- This warranty is valid in the European Community, Switzerland, Iceland, Norway, Liechtenstein, Turkey and Russia. Outside these areas, please contact your authorised RYOBI dealer to determine if another warranty applies.

AUTHORISED SERVICE CENTRE

To find an authorised service centre near you, visit <http://uk.ryobitools.eu/header/service-and-support/service-agents>.

FR RYOBI® CONDITIONS D'APPLICATION DE LA GARANTIE

En plus des droits statutaires liés à l'achat, ce produit est couvert par une garantie telle que décrite ci-dessous.

- La durée de la garantie accordée au consommateur est de 24 mois à partir de la date d'achat. Cette date doit être authentifiée par une facture ou tout autre preuve d'achat. Le produit a été conçu en vue d'une utilisation strictement privée. Aucune garantie ne s'applique donc en cas d'utilisation professionnelle ou commerciale.
- Il existe pour une partie de la gamme « jardin » (AC/DC), une possibilité d'étendre la période de garantie au-delà de la période précédemment décrite en utilisant le formulaire d'enregistrement présent sur le site Internet www.ryobitools.eu. L'éligibilité d'un outil est clairement affichée dans les points de vente et/ou sur l'emballage et la documentation. L'utilisateur final doit enregistrer son/ses outil(s) nouvellement acheté(s) en ligne dans les 30 jours qui suivent la date d'achat. L'utilisateur a la possibilité de s'enregistrer pour l'extension de garantie dans son pays de résidence si celui-ci est listé dans le formulaire d'enregistrement en ligne où cette option est validée. L'utilisateur final doit donner son consentement pour l'enregistrement des données requises pour accéder au site et doit accepter les termes et conditions. La confirmation d'enregistrement, envoyée par courrier électronique, ainsi que la facture originale mentionnant la date d'achat serviront de preuve de l'extension de garantie.
- La garantie couvre pendant la période de garantie les défauts des produits liés à la fabrication et aux matériaux à la date d'achat. La garantie est limitée à la réparation et/ou au remplacement et n'inclut aucune autre obligation, tel que, mais sans s'y limiter, les dommages accessoires ou indirects. La garantie est non valable en cas de mauvaise utilisation du produit, d'utilisation contraire aux instructions du mode d'emploi, ou en cas de branchement incorrect. Cette garantie ne s'applique pas pour :
 - tout dommage au produit résultant d'un mauvais entretien
 - tout produit ayant été altéré ou modifié
 - tout produit dont les marquages originaux d'identification (marque, numéro de série) ont été dégradés, altérés ou retirés
 - tout dommage causé par le non-respect des instructions du mode d'emploi
 - tout produit non CE
 - tout produit ayant subi une tentative de réparation par du personnel non qualifié ou sans autorisation préalable de Techtronic Industries
 - tout produit raccordé à une alimentation secteur non conforme (ampérage, voltage, fréquence)
 - tout produit utilisé avec un mélange inapproprié (essence, huile, pourcentage d'huile)
 - tout dommage causé par des influences extérieures (chimiques, physiques, chocs) ou par des substances étrangères
 - l'usure normale des pièces consommables
 - une utilisation inappropriée, une surcharge de l'outil
 - l'utilisation de pièces ou accessoires non agréés
 - Tout réglage périodique ou tout nettoyage de maintenance des carburateurs
 - les composants (pièces et accessoires) sujets à une usure naturelle, incluant de façon non exhaustive les têtes de fil à frapper, les courroies de transmission, les embrayages, les lames des taille-haies ou des tondeuses à gazon, les harnais, les câbles d'accélérateur, les charbons, les cordons d'alimentation, les fraises de cultivateurs, les rondelles feutre, les goupilles de fraise, les turbines et lame de broyage des souffleurs, les tubes de soufflage et d'aspiration des souffleurs, les sacs de souffleurs et leurs lanières, les guides-chaîne, les chaînes de tronçonneuses, les tuyaux et raccords, les buses et lances de nettoyeurs haute pression, les roues, les recharges de fil des têtes de coupe, les têtes de coupe, le fil de coupe, les bougies d'allumage, les filtres à air, les filtres à essence, etc.
- Si le produit doit être réparé, envoyez-le à un service après-vente agréé RYOBI dont vous trouverez ci-dessous la liste pour chaque pays. Dans certains pays, votre revendeur RYOBI se chargera d'envoyer le produit à un centre de réparation RYOBI. Lorsque vous envoyez un produit à un service après-vente RYOBI, celui-ci doit être correctement emballé, sans contenir aucun produit dangereux tel que de l'essence, et vous devez indiquer votre adresse ainsi qu'une courte description du problème.
- Une réparation / un remplacement sous garantie est gratuit(e). Ceci ne constituera pas une extension de garantie ni un nouveau départ de la période de garantie. Les pièces ou les outils remplacés deviennent notre propriété. Dans certains pays, les frais de port devront être assumés par l'expéditeur. Vos droits statutaires restent inchangés.
- Cette garantie est valable au sein de l'Europe, de la Suisse, de l'Islande, de la Norvège, du Liechtenstein, de la Turquie, de la Russie. En dehors de ces zones, veuillez contacter votre distributeur agréé RYOBI pour déterminer si une autre garantie s'applique.

SERVICE APRÈS-VENTE AGRÉÉ

Pour trouver le service après-vente agréé le plus proche, rendez-vous sur <http://fr.ryobitools.eu/header/service-and-support/service-agents>

DE RYOBI® GARANTIEBEDINGUNGEN

Zusätzlich zu den gesetzlichen Rechten aus dem Kauf gilt für dieses Produkt die nachstehend aufgeführte Garantie.

- Der Garantiezeitraum beträgt für Verbraucher 24 Monate und beginnt mit dem Datum des Kaufs. Dieses Datum muss durch eine Rechnung oder einen anderen Kaufbeleg dokumentiert werden. Dieses Produkt wurde ausschließlich zur privaten Nutzung durch Verbraucher entwickelt. Für den Fall einer professionellen bzw. kommerziellen Nutzung besteht daher keine Garantie.
- Es besteht die Möglichkeit, für einen Teil des Sortiments der Gartenwerkzeuge (AC/DC) den Garantiezeitraum über den oben genannten Zeitraum hinaus zu verlängern, indem der Verbraucher die Registrierung auf der Website www.ryobitools.eu durchführt. Die Berechtigung der Werkzeuge für die Garantieverlängerung ist deutlich im Geschäft und/oder auf der Verpackung beschrieben und in der Produktdokumentation erwähnt. Der Verbraucher muss das neu erworbene Gerät online innerhalb von 30 Tagen ab dem Kaufdatum registrieren. Der Verbraucher kann das Gerät zwecks Garantieverlängerung in seinem Wohnsitzland/Heimatland registrieren, wenn dieses Land auf dem Online-Registrierungsformular aufgeführt und die Option gültig ist. Darüber hinaus muss der Verbraucher seine Zustimmung zur Speicherung der Daten geben, die online eingegeben werden müssen, und er muss die allgemeinen Geschäftsbedingungen akzeptieren. Die Bestätigung der Registrierung, die per E-Mail versandt wird, und die Originalrechnung mit dem Kaufdatum gelten als Beleg für die Garantieverlängerung.
- Die Garantie deckt alle Defekte des Geräts während des Garantiezeitraums ab, die auf zum Zeitpunkt des Kaufs bestehende Verarbeitungs- oder Materialfehler zurückzuführen sind. Die Garantie beschränkt sich auf Reparatur und/oder Ersatz und beinhaltet keine anderen Verpflichtungen, insbesondere keinen Schadenersatz für Folge- oder Nebenschäden. Die Garantie gilt nicht, wenn das Gerät fehlerhaft eingesetzt wurde, gegenseitlich zur Bedienungsanleitung eingesetzt wurde oder falsch angeschlossen wurde. Die Garantie gilt nicht für Folgendes:
 - Schäden am Gerät, die auf unkorrekte Wartung zurückzuführen sind
 - Geräte, an denen Veränderungen vorgenommen wurden
 - Produkte, bei denen die ursprüngliche Identifizierung (Handelsmarke, Seriennummer) unleserlich gemacht, verändert oder entfernt wurde
 - Schäden durch Nichtbeachtung der Bedienungsanleitung
 - nicht-CE-zertifizierte Geräte
 - Geräte, an denen durch nicht-qualifizierte Personen oder ohne vorherige Genehmigung von Techtronic Industries Reparaturversuche vorgenommen wurden
 - Geräte, die an unkorrekte Energiequellen (Ampere, Volt, Frequenz) angeschlossen wurden
 - Geräte, die mit einer fehlerhaften Treibstoffmischung (Treibstoff, Öl, Ölanteil) betrieben wurden
 - Schäden durch äußere Einflüsse (chemisch, physisch, Stöße) oder Fremdstoffe
 - normaler Verschleiß von Ersatzteilen
 - unangemessene Nutzung, Überlastung des Geräts
 - Nutzung nicht genehmigter Zubehörteile oder Ersatzteile
 - Regelmäßige Einstellung oder Wartungsreinigung des Vergasers
 - Komponenten (Ersatzteile und Zubehörteile), die natürlicherem Verschleiß unterliegen, einschließlich, aber nicht begrenzt auf Service- und Wartungssets, Kohlebürsten, Lager, Spannvorrichtungen, SDS-Bohreraufnahme, Bit-Adapter, Netzkabel, Zusatzhandgriff, Transportkoffer, Schleifplatten, Staubbeutel, Staubabführungen, Filzunterlegscheiben, Bolzen und Federn von Schlagschraubern, einschließlich, aber nicht beschränkt auf Fadenköpfe, Antriebsriemen, Kupplungen, die Klängen von Heckenscharen oder Rasenmähern, Kabelstränge, Gaszüge, Zinken, Steckbolzen, Lüfter, Saug- und Gebläserohre oder Düsen, Fangsäcke und Gurte, Führungsschienen, Sägeketten, Schläuche, Verbinder, Sprühdüsen, Räder, Sprühstäbe, innere Rollen, äußere Spulen, Schneidfäden, Zündkerzen, Luftfilter, Benzin-/ Ölfilter, Hackseil-Messer usw.
- Zum Service muss das Gerät zu einer von RYOBI autorisierten Servicestation gebracht oder dorthin gesendet werden. Die Servicestationen für die einzelnen Länder sind in der folgenden Liste aufgeführt. In einigen Ländern sendet Ihr RYOBI-Händler vor Ort das Gerät an das RYOBI-Serviceunternehmen. Beim Einsenden an die RYOBI-Servicestation sollte das Gerät sicher verpackt sein, ohne gefährliche Inhalte wie Benzin, und es sollte mit der Adresse des Absenders und einer kurzen Beschreibung des Fehlers versehen sein.
- Eine Reparatur bzw. ein Ersatz gemäß dieser Garantie ist kostenlos. Hieraus ergibt sich weder eine Garantieverlängerung noch der Beginn eines neuen Garantiezeitraums. Die ausgetauschten Ersatzteile oder Werkzeuge gehen in unser Eigentum über. In einigen Ländern müssen die Zustellgebühren oder die Versandkosten vom Absender gezahlt werden. Ihre gesetzlichen Rechte aus dem Kauf des Geräts bleiben hiervon unberührt.
- Diese Garantie gilt in der Europäischen Union, der Schweiz, Island, Norwegen, Liechtenstein, der Türkei und Russland. Bitte wenden Sie sich außerhalb dieser Gebiete an Ihren autorisierten RYOBI-Händler, um festzustellen, ob eine andere Garantie gilt.

AUTORISIERTER KUNDENDIENST

Besuchen Sie <http://de.ryobitools.eu/header/service-and-support/service-agents>, um einen autorisierten Kundendienst in Ihrer Nähe zu finden.

ES CONDICIONES DE APLICACIÓN DE LA GARANTÍA DE RYOBI®

Además de cualquier derecho legal derivado de la compra, este producto está cubierto por una garantía que se indica a continuación.

- El periodo de garantía es de 24 meses para consumidores y comienza en la fecha en que se comprara el producto. Dicha fecha debe documentarse con una factura u otro comprobante de compra. El producto está diseñado y concebido únicamente para el uso privado del consumidor. Por lo tanto, no se ofrece garantía en caso de uso profesional o comercial.
- Existe la posibilidad de ampliar el periodo de garantía respectivo a una parte de la gama de herramientas de jardinería (CA/CC) durante el periodo descrito más arriba y mediante el registro en el sitio web www.ryobitools.eu. La elegibilidad de las herramientas para que se amplie el periodo de garantía se muestra claramente en las tiendas o en el embalaje y está incluida en la documentación del producto. El usuario final tiene que registrar en línea sus herramientas recientemente adquiridas en un plazo de 30 días a partir de la fecha de compra. El usuario final podrá registrarse para obtener la garantía ampliada en su país de residencia si este aparece en la lista del formulario de registro en línea cuando esta opción sea válida. Además, los usuarios finales deberán dar su consentimiento al almacenamiento de los datos necesarios para el acceso en línea y tienen que aceptar los términos y condiciones. El recibo de confirmación de registro, que se envía por correo electrónico, y la factura original que muestra la fecha de compra servirán como comprobante para la garantía ampliada.
- La garantía cubre todos los defectos del producto durante el periodo de garantía debido a fallos de mano de obra o material en la fecha de compra. La garantía se limita a la reparación o sustitución y no incluye ninguna otra obligación como, por ejemplo, daños accidentales o consecuentes. La garantía no es válida si se ha usado mal el producto, se ha usado contraviniendo el manual de instrucciones o se ha conectado de forma incorrecta. Esta garantía no es aplicable a:
 - ningún daño en el producto que sea consecuencia de un mantenimiento inadecuado
 - ningún producto que haya sido alterado o modificado
 - ningún producto en el que los marcados de identificación originales (marca comercial, número de serie) se hayan borrado, modificado o eliminado
 - ningún daño provocado por no seguir el manual de instrucciones
 - ningún producto que no sea CE
 - ningún producto que haya sufrido un intento de reparación por parte de un profesional no cualificado o sin la autorización previa de Techtronic Industries.
 - ningún producto conectado a un suministro eléctrico inadecuado (amperios, voltaje, frecuencia)
 - ningún producto usado con una mezcla de combustible inadecuada (combustible, aceite, porcentaje de aceite)
 - ningún daño causado por influencias externas (químicas, físicas, impactos) o sustancias extrañas
 - desgaste normal de piezas de repuesto
 - uso inadecuado, sobrecarga de la herramienta
 - uso de accesorios o piezas no aprobados
 - Cualquier ajuste periódico o limpieza de mantenimiento de los carburadores
 - Componentes (piezas y accesorios) sujetos al desgaste natural incluyendo, entre otros, pomos de golpes, correas de transmisión, embragues, cuchillas de cortasetos o cortacésped, arneses, cable del acelerador, escobillas de carbono, cables eléctricos, discos, paños de filtro, pasadores de enganche, ventiladores de soplador, tubos de aspiración y de soplado, bolsas y correas de aspiración, barras guías, cadenas de sierra, mangueras, herrajes de conectores, boquillas pulverizadoras, ruedas, lanzas pulverizadoras, bobinas interiores, carretes exteriores, líneas de corte, bujías, filtros de aire, filtros de gas, cuchillas de compostaje, etc.
- Para su mantenimiento, el producto debe enviarse o presentarse a una estación de servicio de RYOBI autorizada que figure en la siguiente lista de direcciones de estaciones de servicio por países. En algunos países, su distribuidor RYOBI local se responsabiliza de enviar el producto a la compañía de servicio de RYOBI. Cuando se envíe un producto a una estación de servicio de RYOBI, este debe estar empaquetado de forma segura sin contenidos peligrosos como gasolina, marcado con la dirección del remitente y acompañado de una breve descripción del fallo.
- Una reparación / sustitución con esta garantía es gratuita. No constituye una ampliación ni un nuevo comienzo del periodo de garantía. Las piezas o herramientas intercambiadas pasan a ser de nuestra propiedad. En algunos países, los gastos de envío o correo tendrá que pagarlos el remitente. Sus derechos legales derivados de esta compra de la herramienta no se verán afectados.
- Esta garantía es válida en la Unión Europea, Suiza, Islandia, Noruega, Liechtenstein, Turquía y Rusia. Fuera de estas zonas, póngase en contacto con su distribuidor de RYOBI autorizado para determinar si es aplicable otra garantía.

SERVICIO TÉCNICO AUTORIZADO

Para encontrar el servicio técnico autorizado más cercano, visite <http://es.ryobitools.eu/header/service-and-support/service-agents>.

IT CONDIZIONI DI VALIDITÀ DELLA GARANZIA RYOBI®

In aggiunta ai diritti di legge risultanti dall'acquisto, il prodotto è coperto dalla garanzia sotto descritta.

- Il periodo di garanzia è di 24 mesi per i consumatori, a decorrere dalla data di acquisto del prodotto. La data deve essere documentata da una fattura o altra prova d'acquisto. Il prodotto è progettato e destinato solo all'utilizzo privato dei consumatori. Pertanto non viene fornita alcuna garanzia in caso di uso professionale o commerciale.
- Per una serie di utensili da giardino (CA/CC) è possibile prolungare il periodo di garanzia oltre quello descritto, registrandosi sul sito web www.ryobitools.eu. Gli utensili per i quali è possibile prolungare il periodo di garanzia sono chiaramente indicati nei negozi e/o sulle confezioni e nella documentazione dei prodotti. L'utente deve registrare online l'utensile acquistato entro 30 giorni dalla data di acquisto. L'utente può registrarsi per la garanzia prolungata nel proprio paese di residenza, se questo è elencato nel modulo di registrazione online dove questa opzione sia valida. Inoltre gli utenti devono fornire il proprio consenso alla conservazione dei dati da immettere online e devono accettare le condizioni generali. La conferma di registrazione, inviata tramite e-mail, e la fattura originale indicante la data di acquisto, costituiranno la prova della garanzia prolungata.
- La garanzia copre tutti i difetti del prodotto durante il periodo di garanzia, risultati da manodopera o materiali alla data di acquisto. La garanzia è limitata alla riparazione e/o sostituzione e non include alcun altro obbligo quali, a mero titolo esemplificativo, i danni incidentali o consequenziali. La garanzia non è valida se il prodotto è stato usato scorrettamente, in modo contrario al manuale di istruzioni o se è stato collegato in modo errato. La garanzia non è valida per:
 - qualsiasi danno al prodotto dovuto a manutenzione errata;
 - qualsiasi prodotto che sia stato alterato o modificato;
 - qualsiasi prodotto le cui marcature di identificazione originali (marchi di fabbrica, numero di serie) siano state cancellate, alterate o rimosse;
 - qualsiasi danno causato dalla non osservanza delle istruzioni del manuale;
 - qualsiasi prodotto privo di omologazione CE;
 - qualsiasi prodotto che sia stato sottoposto a un tentativo di riparazione da parte di un professionista non qualificato oppure senza la previa autorizzazione di Techtronic Industries;
 - qualsiasi prodotto collegato a un'alimentazione errata (per ampere, tensione, frequenza);
 - qualsiasi prodotto usato con una miscela di carburante errata (carburante, olio, percentuale di olio);
 - qualsiasi danno causato da influenze esterne (chimiche, fisiche, urti) o sostanze estranee;
 - la normale usura delle parti di ricambio;
 - uso inappropriato, sovraccarico dell'utensile;
 - uso di accessori o parti non omologate;
 - qualsiasi regolazione periodica o pulizia di manutenzione dei carburatori;
 - componenti (parti e accessori) soggetti alla normale usura compresi, a mero titolo esemplificativo, testine a filo, cinghie di trasmissione, frizioni, lame di tagliaspie o tagliaerba, imbragature, cavi di accelerazione, spazzole al carbonio, cavi di alimentazione, denti, rondelle di feltro, perni di aggancio, ventole dei soffiatori, tubi di soffiatori e aspiratori, sacchetti e cinghie per aspirapolvere, barre guida, catene per seghe, tubi, raccordi di connessione, ugelli di spruzzo, ruote, erogatori, bobine interne ed esterne, linee di taglio, candele, filtri dell'aria, filtri del gas, lame per mulching ecc.
- Per la manutenzione il prodotto dev'essere spedito o portato presso uno dei centri assistenza autorizzati RYOBI elencati per ogni paese nel seguente elenco di indirizzi dei centri. In alcuni paesi il rivenditore locale RYOBI si incarica di inviare il prodotto all'organizzazione di assistenza RYOBI. Quando si invia un prodotto a un centro assistenza RYOBI, imballarlo in modo sicuro senza contenuti pericolosi come la benzina, apporre l'indirizzo del mittente e accompagnarlo da una breve descrizione del guasto.
- La riparazione/sostituzione ai sensi della presente garanzia è gratuita. Non costituisce un prolungamento o un nuovo inizio del periodo di garanzia. Le parti o gli utensili scambiati diventano di nostra proprietà. In alcuni paesi i costi di consegna o di spedizione postale devono essere pagati dal mittente. I diritti di legge derivanti dall'acquisto dell'utensile rimangono inalterati.
- La presente garanzia è valida in Unione Europea, Svizzera, Islanda, Norvegia, Liechtenstein, Turchia e Russia. Al di fuori di tali aree contattare il rivenditore autorizzato RYOBI per sapere se è valida un'altra garanzia.

CENTRO SERVIZI AUTORIZZATO

Per individuare il più vicino centro servizi autorizzato, visitare il sito <http://it.ryobitools.eu/header/service-and-support/service-agents>.

NL RYOBI® GARANTIEVOORWAARDEN

Naast de wettelijke rechten die voortvloeien uit de aankoop, wordt dit product gedekt door een garantie, zoals hieronder staat vermeld.

- De garantietermijn voor consumenten bedraagt 24 maanden en gaat in op de datum waarop het product is gekocht. Deze datum moet worden gedocumenteerd met een factuur of een ander aankoopbewijs. Het product is uitsluitend ontworpen en bedoeld voor persoonlijk gebruik door consumenten. Er wordt dus geen garantie gegeven voor professioneel of commercieel gebruik.
- Voor een deel van ons aanbod van tuingeredschappen (AC/DC) is het mogelijk om de garantietermijn te verlengen over de boven beschreven termijn, met behulp van de website www.ryobitools.eu. De gereedschappen die in aanmerking komen voor de verlenging van de garantietermijn wordt duidelijk weergegeven in winkels en/of verpakkingen en staat beschreven in de productdocumentatie. De eindgebruiker moet zijn/haar nieuw gekochte gereedschappen binnen 30 dagen na aankoop online registreren. De eindgebruiker kan zich registreren voor de verlengde garantietermijn als zijn woonland staat vermeld op het online registratieformulier waar deze optie geldig is. Bovendien moeten eindgebruikers toestemming geven voor de opslag van de gegevens die online ingevuld moeten worden en moeten ze de algemene voorwaarden accepteren. Het ontvangstbewijs van de registratie, dat per e-mail wordt verzonden en de oorspronkelijke factuur met de aankoopdatum vormt het bewijs van de verlengde garantietermijn.
- De garantie dekt tijdens de garantietermijn alle gebreken van het product vanwege defecten in vakmanschap of materiaal op de aankoopdatum. De garantie is beperkt tot reparatie en/of vervanging en bevat geen andere verplichtingen, waaronder maar niet beperkt tot incidentele of gevolgschade. De garantie is niet geldig als het product is misbruikt, in strijd met de gebruiksaanwijzing wordt gebruikt of onjuist is aangesloten. Deze garantie geldt niet voor:
 - alle schade aan het product die het gevolg is van onjuist onderhoud
 - elk product dat is veranderd of aangepast
 - elk product waar de oorspronkelijke identificatie (handelsmerk, serienummer) is beschadigd, gewijzigd of verwijderd
 - alle schade die is veroorzaakt door het niet opvolgen van de gebruiksaanwijzing
 - elk niet-CE-product
 - elk product waar een poging tot reparatie is gedaan door een niet-erkende professional of zonder voorafgaande toestemming door Techtronic Industries.
 - elk product dat is verbonden met een verkeerde voeding (amperage, spanning, frequentie)
 - elk product dat wordt gebruikt met een verkeerd brandstofmengsel (brandstof, olie, oliegehalte)
 - alle schade die is veroorzaakt door externe invloeden (chemisch, fysisch, schokken) of vreemde stoffen
 - normale slijtage van reserveonderdelen
 - ongepast gebruik, overbelasting van het gereedschap
 - gebruik van niet-goedgekeurde accessoires of onderdelen
 - Alle periodieke aanpassingen aan of het onderhoud en reiniging van carburateurs
 - Componenten (onderdelen en accessoires) die onderhevig zijn aan natuurlijke slijtage, waaronder maar niet beperkt tot stookknoppen, aandrijfmotoren, koppelingen, messen van hegtrimmers of grasmaaiers, harnas, gaskabel, koolstofborstels, stroomsoenen, tanden, viltringen, koppelingsspannen, blazers, blaas- en zuigbuizen, zuigzakken en-riemen, geleidingsstaven, zaagkettingen, slangen, koppelingen, mondstukken, wielen, spuitsokken, binnenhaspels, buitenhaspels, snijdraden, bougies, luchtfilters, gasfilters, maaimessen, etc.
- Voor onderhoud moet het product worden verzonden of gebracht naar een erkend servicestation van RYOBI die voor elk land staan vermeld in de volgende lijst met adressen voor servicestations. In sommige landen zal uw lokale RYOBI-dealer het product verzenden naar de RYOBI-serviceorganisatie. Wanneer u het product naar een servicestation van RYOBI verzendt, moet het product veilig worden verpakt zonder enige gevaarlijke inhoud, zoals benzine, met het adres van de afzender en vergezeld van een korte beschrijving van het defect.
- Een reparatie/vervangende die onder deze garantie valt is gratis. Het vormt geen verlenging of een nieuwe start van de garantietermijn. Verwisselde onderdelen of gereedschappen worden ons eigendom. In sommige landen moeten de verzendkosten door de afzender worden betaald. Uw wettelijke rechten die voortvloeien uit de aankoop van het gereedschap blijven onaangetast.
- Deze garantie is geldig in de Europese Gemeenschap, Zwitserland, IJsland, Noorwegen, Liechtenstein, Turkije en Rusland. Buiten deze gebieden moet u contact opnemen met uw erkende RYOBI-dealer om vast te stellen of er een andere garantie van toepassing is.

GEAUTORISEERD ONDERHOUDSCENTRUM

Om een geautoriseerd onderhoudscentrum in uw buurt te vinden, surf u naar <http://nl.ryobitools.eu/header/service-and-support/service-agents>.

PT CONDIÇÕES DE APLICAÇÃO DA GARANTIA RYOBI®

Para além de quaisquer direitos previstos por lei resultantes da compra, este produto está coberto por uma garantia conforme descrição abaixo.

1. O período da garantia é de 24 meses para consumidores particulares e inicia-se na data de compra do produto. Esta data tem de ser documentada por uma factura ou por outra prova de compra. O produto foi concebido para e destina-se apenas a consumidores particulares e uso privado. Assim, não é dada garantia em caso de utilização por profissionais ou uso comercial.
2. Para uma parte da gama de ferramentas de jardim (AC/DC) existe a possibilidade de prolongamento do período da garantia para além do período descrito acima, mediante registo no Web site www.ryobitools.eu. A elegibilidade das ferramentas para prolongamento do período da garantia é claramente visível nas lojas e/ou nas embalagens e está contida na documentação do produto. O utilizador final tem de fazer o registo online das suas ferramentas recém-adquiridas no prazo de 30 dias após a data de compra. O utilizador final pode fazer o registo para prolongamento da garantia no seu país de residência, desde que esteja listado no formulário de registo online e para os casos em que esta opção seja válida. Para além disso, os utilizadores finais têm de autorizar o armazenamento dos dados cujo preenchimento lhes for solicitado online e têm de aceitar os termos e as condições. O recibo de confirmação do registo é enviado por e-mail e, em conjunto com a factura original ostentando a data de compra, servirá de prova do prolongamento da garantia.
3. A garantia cobre todos os defeitos do produto durante o período da garantia devidos a defeitos de fabrico ou de material à data da compra. A garantia está limitada à reparação e/ou substituição e não inclui quaisquer outras obrigações, incluindo mas não se limitando a, perdas complementares ou indirectas. A garantia não é válida se o produto tiver sido utilizado incorrectamente, utilizado de forma contrária ao Manual de Instruções ou se as respectivas ligações tiverem sido feitas incorrectamente. Esta garantia não se aplica ao seguinte:
 - quaisquer danos ao produto que sejam resultado de manutenção incorrecta
 - qualquer produto que tenha sido alterado ou modificado
 - qualquer produto cujas marcações de identificação de origem (marca comercial, número de série) tiverem sido apagadas, alteradas ou retiradas
 - quaisquer danos causados pelo incumprimento do Manual de Instruções
 - qualquer produto que não seja da Comunidade Europeia
 - qualquer produto ao qual tenha sido feita, ou tentada fazer, uma reparação por outra pessoa que não um profissional habilitado ou sem autorização prévia da Technronic Industries.
 - qualquer produto ligado a uma fonte de alimentação eléctrica incorrecta (Amperes, Voltagem e Frequência)
 - qualquer produto utilizado com uma mistura de combustível incorrecta (combustível, óleo, percentagem de óleo)
 - qualquer dano causado por influências externas (químicas, físicas, impactos) ou substâncias estranhas
 - desgaste e degradação normal de sobresselentes
 - utilização incorrecta, sobrecarga da ferramenta
 - utilização de acessórios ou peças não aprovados
 - quaisquer ajustes periódicos a, ou limpeza de manutenção de, carburadores
 - Componentes (peças e acessórios) sujeitos a desgaste e degradação natural, incluindo mas não se limitando a, manganetas anti-choque, correias de transmissão, embraiagens, lâminas de recortadores de sebes ou corta-relvas, arneses, cabos de acelerador, escovas de carvão, cabos eléctricos, dentes, anilhas de feltro, pinos de engate, ventoinhas do soprador, tubos do soprador e do aspirador, cintas e sacos do aspirador, barras de guia, correntes de serra, mangueiras, peças de ligação, bocais de pulverização, rodas, varinhas de pulverização, bobinas interiores, bobinas exteriores, linhas de corte, velas de ignição, filtros do ar, filtros de gasolina, lâminas trituradoras, etc.
4. Para assistência, o produto tem de ser enviado para, ou apresentado em, um posto de assistência autorizado RYOBI, conforme listado para cada país na lista de moradas de postos de assistência seguinte. Nalguns países, o seu concessionário RYOBI local encarega-se de enviar o produto para a organização de assistência RYOBI. Quando enviar um produto para um posto de assistência RYOBI, o produto deve ser embalado de forma segura, sem conter nenhuns conteúdos perigosos (por exemplo, gasolina), marcado com o endereço do remetente e acompanhado por uma breve descrição da avaria.
5. Uma reparação/substituição ao abrigo desta garantia é gratuita. Não constitui um prolongamento a, nem um novo início de, o período da garantia. As peças ou ferramentas substituídas tornam-se propriedade nossa. Nalguns países, o remetente terá de pagar os custos de entrega ou a remessa postal. Os seus direitos previstos por lei resultantes da compra da ferramenta mantêm-se inalterados
6. Esta garantia é válida na Comunidade Europeia, Suíça, Islândia, Noruega, Liechtenstein, Turquia e Rússia. Fora destas áreas, entre em contacto com o seu concessionário autorizado RYOBI para determinar se existe outra garantia aplicável.

CENTRO DE ASSISTÊNCIA AUTORIZADO

Para encontrar um centro de assistência autorizado próximo de si, visite <http://pt.ryobitools.eu/header/service-and-support/service-agents>.

DA RYOBI® BETINGELSER FOR GARANTI

Udover lovbestemte rettigheder, som resulterer af købet, er dette produkt dækket af en garanti, som anføres herunder.

1. Garantiperioden er 24 måneder for forbrugere og begynder på den dato, som produktet blev købt. Denne dato skal dokumenteres af en faktura eller andet bevis for køb. Produktet er udelukkende designet og dedikeret til forbrugere og privat brug. Så der ydes ingen garanti til tilfældige af professionelle eller kommerciel brug.
2. Der er en mulighed for at forlænge garantiperioden for en del af udvalget af haveværktøj (AC/DC), hen over den ovenfor beskrevne periode vha. registrering på hjemmesiden www.ryobitools.eu. Berettigelsen af værktøjet til forlængelse af garantiperioden er tydeligt vist i butikker og/eller på emballage/og indeholdt i produktokumentationen. Slutbruger skal registrere hans/hendes nyligt indkøbte værktøj online indenfor 30 dage efter købsdatoen. Slutbruger kan registrere sig for den forlængede garanti i sit land, hvis han/hun er opført på den online registreringsformular, hvor denne mulighed er gyldig. Derudover skal slutbrugere give deres samtykke til at opbevare data, som er påkrævet til indtaste online, og de er nødt til at acceptere vilkår og betingelser. Registreringsbekræftelseskvitteringen, som sendes ud på e-mail, og den originale faktura, som viser købsdatoen, vil fungere som bevis for den forlængede garanti.
3. Garantien dækker alle defekter, som et produkt måtte have i løbet af garantiperioden, og som skyldes produktionsfejl eller materialefejl på købsdatoen. Garantien er begrænset til reparation og/eller udskiftning og inkluderer ikke andre forpligtelser, inklusiv men ikke begrænset til tilfældige skader eller følgeskader. Garantien er ugyldig, hvis produktet er blevet misbrugt, brugt uden at overholde vejledningen, eller det er blevet forkert tilslett. Denne garanti gælder ikke:
 - Beskadigelse af produktet, som er et resultat af uegnet vedligeholdelse
 - Et produkt der er blevet ændret eller modificeret
 - Et produkt hvor de originale identifikationsmærkninger (varemærke, serienummer) er blevet ødelagt, ændret eller fjernet.
 - Enhver beskadigelse forårsaget af manglende overholdelse af vejledningen
 - Ethvert ikke CE-produkt
 - Ethvert produkt som er blevet forårsaget af en ukvalificeret professionel eller uden tidligere foranstaltning af Technronic Industries.
 - Ethvert produkt som er tilslettet uegnet strømforsyning (ampere, spænding, frekvens)
 - Ethvert produkt som bruges med uegnet brændstoftilblanding (brændstof, olie, procentdel olie)
 - Enhver skade forårsaget af ekstern påvirkning (kemisk, fysisk, chok) eller fremmedelementer
 - Normal slid på reservedele
 - Uegnet brug, overbelastning af værktøjet
 - Brug af ikke-godkendt tilbehør eller dele
 - Alle regelmæssige justeringer eller vedligeholdelsesrengøring af karburatorer
 - Komponenter (dele og tilbehør) som er udsat for naturlig slid og ælde, inklusiv men ikke begrænset til drejeknapper, drivrem, greb, klinger til hæktrimmere eller plæneklippere, sele, kabel gasspjæld, kulbørster, elledning, tænder, filtskiver, ophængstapper, blæserventilatorer, blæser- og sugeslanger, sugepose og stropper, styrestænger, savkæder, slanger, forbindelsespakninger, sprøjtedyser, hjul, sprøjtestave, indvendige ruller, udvendige ruller, udvendige spoler, skærelinjer, tændrør, luftfilter, gasfilter, tildækningsblade etc.
4. For eftersyn skal produktet sendes til eller præsenteres for en RYOBI-autoriseret service værksted, som er oplyst for hvert land i den følgende liste over service værksted adresser. I nogle lande påtager din lokale RYOBI-forhandler sig ansvaret for at sende produktet til RYOBI-serviceorganisationen. Når et produkt sendes til en RYOBI-service værksted, skal det pakkes sikkert ind uden noget farligt indhold som benzin, mærkes med afsenderens adresse og med en kort beskrivelse af fejlen.
5. En reparation/erstatning under denne garanti er gratis. Den udgør ikke en forlængelse eller en ny start på garantiperioden. Uvedlejede dele eller værktøjer bliver vores ejendom. I nogle lande skal leveringsafgifter eller porto betales af afsenderen. Dine lovbestemte rettigheder i forbindelse med købet forbliver uanfægtede
6. Denne garanti gælder i EU, Schweiz, Island, Norge, Liechtenstein, Tyrkiet og Rusland. Udenfor disse områder bedes du kontakte din autoriserede RYOBI-forhandler for at afgøre, om en anden garanti gælder.

AUTORISEREDE SERVICEVÆRKSTEDER

Find nærmeste autoriserede serviceværksted på <http://dk.ryobitools.eu/header/service-and-support/service-agents>.

SV RYOBI® ANVÄNDNINGSVILLKOR FÖR GARANTI

Förutom eventuella lagstadgade rättigheter som uppstår genom köpet, täcks den här produkten av en garanti som anges nedan.

- Garantiperioden är 24 månader för konsumenter och börjar gälla från det datum då produkten köptes. Detta datum måste dokumenteras på en faktura eller annat köpbevis. Produkten är utformad och avsedd för konsumenter och privat bruk. Därmed tillhandahålls ingen garanti vid yrkesmässigt eller kommersiellt bruk.
- Det finns möjlighet att förlänga garantiperioden för en del av utbudet för trädgårdsverktyg (AC/DC) under den period som anges ovan genom att använda registreringen på webbplatsen www.ryobitools.eu. De verktyg som är berättigade till en förlängning av garantiperioden visas tydligt i butiker och/eller på förpackningen/och anges i produktdokumentationen. Slutanvändaren behöver registrera hans/hennes nyförvävade verktyg online inom 30 dagar från köpdatumet. Slutanvändaren kan registrera sig för den förlängda garantin i det land där han/hon bor om landet finns angivet i registreringsformuläret online och där detta alternativ är giltigt. Dessutom måste slutanvändaren ge sitt medgivande till lagring av data vilket krävs vid registrering online samt acceptera villkoren. Bekräftelsekvittot för registreringen som skickas ut via e-post och originalfakturan som visar köpdatumet kommer att gälla som bevis för den förlängda garantin.
- Garanti täcker alla produktdefekter under garantiperioden som beror på brister i utförande eller material vid köpdatumet. Garantin är begränsad gällande reparation och/eller utbyte och inkluderar inte några skyldigheter inklusive men inte begränsat till oförutsedda skador eller följdskador. Garantin är inte giltig om produkten har missbrukats, använts i strid med bruksanvisningen eller inte anslutits på rätt sätt. Denna garanti täcker inte:
 - eventuella skador på produkten som uppstått till följd av felaktigt underhåll
 - produkter som har ändrats eller modifierats
 - produkter där ursprungliga identifieringsmärkningarna (varumärke, serienummer) har målats över, ändrats eller tagits bort
 - eventuella skador som uppstått till följd av att bruksanvisningen inte efterföljts
 - alla icke CE-produkter
 - eventuella produkter som har försökts repareras av en icke-kvalificerad yrkesman eller utan föregående medgivande från Techtronic Industries.
 - eventuella produkter som anslutits till felaktig strömförsörjning (ampere, volt, frekvens)
 - eventuella produkter som använts med olämplig bränsleblandning (bränsle, olja, oljeprocent)
 - eventuella skador som uppstått till följd av yttre påverkan (kemisk, fysisk, stöt) eller främmande ämnen
 - normalt slitage av reservdelar
 - olämplig användning, överbelastning av verktyget
 - användningen av icke-godkända tillbehör eller delar
 - Eventuella periodiska justeringar av eller vid underhållsrengöring av förgasare
 - Komponenter (delar och tillbehör) är föremål för naturligt slitage, inklusive men inte begränsat till tryckknappar, drivremmar, koppling, blad till kantrimrar eller gräsklippare, sele, gasreglagevajer, kolborstar, strömsladd, spetsar, filtbrickor, kopplingsprint, blåsfäkt, blås- och sugrör, sugpåse och remmar, styrskenor, sägkedjor, slangar, anslutningsdonördel, spraymunstycken, hjul, spraystavar, innerrullar, ytterspolar, skärtråd, tändstift, luftfilter, gasfilter, sönderdelningsblad osv.
- Vid service måste produkten skickas eller uppvisas för en RYOBI- auktoriserad servicestation som står angiven för varje land i följande adresslista över servicestationer. I vissa länder tar din lokala RYOBI- återförsäljare på sig ansvaret att skicka produkten till RYOBI- serviceorganisationen. När en produkt skickas till en RYOBI-servicestation, ska produkten paketeras säkert utan något farligt innehåll såsom bensin, markeras med avståndens adress samt en kort beskrivning av felet.
- En reparation/ett utbyte under denna garanti är kostnadsfri. Det utgör inte en förlängning eller förnyelse av garantiperioden. Utbyta delar eller verktyg blir vår egendom. I vissa länder måste leveranskostnader eller porto betalas av avståndens. Dina lagstadgade rättigheter som härrör från köpet av verktyget förblir opåverkade
- Denna garanti är giltig i Europeiska gemenskapen: Schweiz, Island, Norge, Liechtenstein, Turkiet och Ryssland. Utanför dessa länder, kontakta din auktoriserade RYOBI-återförsäljare för att avgöra om en annan garanti gäller.

AUKTORISERAT SERVICECENTER

Du hittar närmaste auktoriserade servicecenter genom att gå till <http://se.ryobitools.eu/header/service-and-support/service-agents>.

FI RYOBI®-TAKUUN SOVELTAMISEHDOT

Tällä tuotteella on oston luomien lakisäasteisten oikeuksien ohella alla mainitun mukainen takuu.

- Takuun kesto on kuluttajille 24 kuukautta ja takuuaika alkaa tuotteen ostopohjasta. Tämän päivämäärän tulee lukea laskussa tai muussa ostositotteesta. Tuote on suunniteltu ja tarkoitettu vain kuluttajien ja yksityiseen käyttöön. Takuu ei siis kata ammatti- eikä kaupallista käyttöä.
- Joidenkin puutarhatyökalujen (AC/DC) takuun kesto on mahdollista laajentaa yllä mainittua kestoä pidemmäksi verkkosivuston www.ryobitools.eu rekisteröinnin kautta. Työkalujen kelpoisuus takuujakson laajennukseen näkyy selkeästi myymälöissä ja/tai pakkauskissa ja/tai tämä tieto sisältyy tuotetiedokumentaatioon. Loppukäyttäjän täytyy rekisteröidä vasta hankittu työkalu internetissä 30 päivän kuluessa ostopäivämäärästä. Loppukäyttäjän voi rekisteröidä laajennetun takuun kotimaassaan, jos se on luettuna online-rekisteröintilomakkeessa, jossa mainitaan, missä tämä vaihtoehto on voimassa. Loppukäyttäjien täytyy lisäksi hyväksyä tietojen tallennus, jotka heidän täytyy antaa online-tilassa sekä ehdot. Rekisteröinnin vahvistuskuitti, joka lähetetään sähköpostitse, ja alkuperäinen ostopäivämäärän ilmaiseva lasku toimivat laajennetun takuun tositteina.
- Takuu kattaa kaikki tuotteen takuuaikana tulevat viat, joiden aiheuttajina ovat tuotteen ostopäivänä olleet valmistus- tai materiaali viat. Takuu on rajoitettu korjaukseen ja/tai vaihtoon eikä se sisällä mitään muita velvoitteita mukaan lukien satunnaisia ja seurannaisvahinkoja, mutta rajoittumatta niihin. Takuu ei päde, jos tuotetta on käytetty väärin, käyttöohjeen vastaisesti tai jos se on liitetty virheellisesti. Tämä takuu ei kata:
 - virheellisesti huolosta johtuvia vaurioita
 - muunnettua tai muutettua tuotetta
 - tuotetta, jonka alkuperäiset tunnistemerkinnät (tavaramerkki, sarjanumero) on turmeltu, muutettu tai poistettu
 - tämän käyttööppaan laiminlyönnistä johtuvia vaurioita
 - ei-CE-tuotetta
 - tuotetta, jota on yrittänyt korjata epäpätevä ammattilainen tai joka on korjattu ilman Techtronic Industrien ennakkolupaa.
 - tuotetta, joka on liitetty virheelliseen teholahteeseen (ampeirit, jännite, taajuus)
 - tuotetta, jossa on käytetty väärää polttoaineseosta (polttoaine, öljy, öljyprosentti)
 - ulkoisten vaikutusten (kemiallinen, fyysinen, iskut) tai vieraiden aineiden aiheuttamaa vauriota
 - normaaleja kuluvia varaosia
 - virheellistä käyttöä, työkalun ylikuormitusta
 - ei-hyväksytytjen tarvikkeiden tai osien käyttöä
 - Kaasutinten säännöllistä säätöä tai ylläpitävää puhdistusta
 - Luonnollisesti kuluvia komponentteja (osia tai tarvikkeita), joihin sisältyvät puskunupit, käyttöihinat, kytkin, pensasleikkuriin tai ruohonleikkuriin terät, valjaat, kaasuvaijeri, hiiharijat, virtajohto, piikit, huopatiivisteet, sokkatapit, puhallinten tuuletimet, puhallin- ja imuputket, imuriin säkit ja hinnat, terälevyt, sahankeijut, letkut, liitososat, suihkusuihuttimet, pyörät, ruiskutusputket, sisä- ja ulkokelat, leikkuusuiimat, hehkutulpat, ilmansuodattimet, kaasusuodattimet, silppuperät yms. näihin kuitenkin rajoittumatta.
- Tuote on lähetettävä huollettavaksi valituttuun RYOBI-huoltoon tai näytettävä silleä. Niiden osissaett kussakin maassa löytyvät seuraavasta luettelosta. Joissakin maissa paikallinen RYOBI-jälleenmyyjä huolehtii tuotteen lähetyksestä RYOBI-huolto-organisaatioon. Kun tuote lähetetään RYOBI-huoltoon, se täytyy pakata hyvin ilman vaarallisia aineita, kuten polttoainetta, ja pakkaukseen täytyy merkitä lähettäjän nimi sekä vian lyhyt kuvaus.
- Takuun kattama korjaus/vaihto on maksuton. Se ei tarkoita takuujajan laajennusta tai alkamista alusta. Vaihdetut osat tai työkalut siirtyvät valmistajan omistukseen. Joissakin maissa lähettäjän täytyy maksaa lähetyskustannukset tai postikulut. Työkalun oston luomat lakisäasteiset oikeudet pysyvät koskemattomina
- Tämä takuu on voimassa Euroopan yhteisössä, Sveitsissä, Islannissa, Norjassa, Liechtensteinissa, Turkissa ja Venäjällä. Ota näiden alueiden ulkopuolella yhteyttä omaan valituttuun RYOBI-jälleenmyyjään ja selvitä, onko jotain muuta takuuta.

VALTUUTETTU HUOLTO

Voit etsiä lähimmän valituttuun huolton sivulta <http://fi.ryobitools.eu/header/service-and-support/service-agents>.

NO RYOBI® GARANTIBETINGELSER

I tillegg til eventuelle lovbestemte rettigheter som følger av kjøpet, er dette produktet dekket av en garanti som angitt nedenfor.

- Garantiperioden er 24 måneder for konsumenter og gjelder fra den datoen som produktet ble kjøpt. Denne datoen skal dokumenteres med en faktura eller annet kjøpsbevis. Produktet er designet og beregnet kun til konsument- og privat bruk. Så det gis ingen garanti ved profesjonell eller kommersiell bruk.
- For en del av utvalget av hageverktøy (AC/DC) er det mulighet til å utvide garantiperioden i den perioden som er beskrevet ovenfor ved bruk av registreringene på nettstedene www.ryobitools.eu. Kvalifiseringen av verktøyene for en utvidelse av garantiperioden er tydelig vist i butikker og 7eller på pakningen / og finnes innen produktdokumentasjonen. Sluttbrukeren må registrere sine nylig anskaffede verktøy online innen 30 dager etter kjøpsdato. Sluttbrukeren kan registrere seg for den utvidede garantien i sitt land hvis det er opplistet på online registreringsskjemaet der dette alternativet er gyldig. Videre må sluttbrukere gi sitt samtykke til oppbevaring av dataene som kreves for å gå online, og de må godta vilkår og betingelser. Registreringsbekreftelsen, som sendes ut på e-post, og den originale fakturaen som viser kjøpsdato, vil tjene som bevis for den utvidede garantien.
- Garantien dekker alle defekter i produktet under garantiperioden på grunn av defekter i utførelse eller materiale på kjøpsdato. Garantien er begrenset til å reparere og/eller erstatte og inkluderer ikke noen andre forpliktelse, inkludert, men ikke begrenset til, tilfeldige eller følgesmessige skader. Garantien er ikke gyldig hvis produktet har blitt misbrukt, brukt på annen måte enn det som beskrives i bruksanvisningen eller er koblet til på feil måte. Denne garantien gjelder ikke for:
 - enhver skade på produktet som er resultat av utilstrekkelig vedlikehold
 - ethvert produkt som har blitt endret eller modifisert
 - ethvert produkt der de originale identifiseringsmerkene (varemerke, serienummer) har blitt uleselig, er endret eller fjernet
 - enhver skade som forårsakes av ikke-overholdelse av instruksjonshåndboken
 - ethvert ikke-CE-produkt
 - ethvert produkt som har blitt forsøkt reparert eller av en ikke-kvalifisert fagperson eller uten tidligere autorisasjon fra Techntron Industries.
 - ethvert produkt tilkoblet feil strømforsyning (ampere, spenning, frekvens)
 - ethvert produkt som brukes med feil drivstoffblanding (drivstoff, olje, prosentandel olje)
 - enhver skade som er forårsaket av eksterne påvirkninger (kjemiske, fysiske, støt) eller fremmede stoffer
 - normal slitasje og sliteservvedeler
 - feil bruk, overbelastning av verktøyet
 - bruk av ikke-godkjent tilbehør eller deler
 - Eventuelle periodiske justeringer av eller vedlikeholdsrengjøring av forbrennere
 - Komponenter (deler og tilbehør) som er underlagt naturlig slitasje, inkludert, men ikke begrenset til bulkknott, drivreimer, clutch, blader på hektrimmere eller gressklippere, seler, kabelspjeld, karbonbørster, strømledning, kniver, feltpakninger, heispinner, blåseviser, blåse- og vakuumslang, vakuumpose og reimer, førerstenger, sagkjeder, strømpere, koblingsmonteringer, spraydyser, hjul, spraystenger, indre spoler, ytre spoler, kuttelinjer, tennplugger, luftfilter, gassfilter, mulchingblader osv.
- For service må produktet sendes eller fremlegges for en RYOBI-autorisert servicestasjon opplistet for hvert land i den følgende listen over servicestasjonsadresser. I noen land sender den lokale RYOBI-forhandleren produktet til RYOBI serviceorganisasjonen. Ved å sende et produkt til en RYOBI servicestasjon skal produktet være sikkert pakket uten noe farlig innhold, slik som bensin, merket med senderens adresse og fulgt av en kort beskrivelse av feilen.
- En reparasjon/erstatning under denne garantien er gratis. Den utgjør ingen forlengelse eller en ny start av garantiperioden. Utvekslede deler eller verktøy blir vår eiendom. I noen land vil leveringskostnader eller franking måtte betales av senderen. Dine lovbestemte rettigheter som oppstår fra kjøp av verktøyet forblir uberørt.
- Denne garantien er gyldig i EU, Sveits, Island, Norge, Liechtenstein, Tyrkia og Russland. Utenfor disse områdene ta kontakt med din autoriserte RYOBI-forhandler om en annen garanti gjelder.

AUTORISERT SERVICESENTER

For å finne et autorisert servicecenter i nærheten, gå til <http://no.ryobitools.eu/header/service-and-support/service-agents>.

RU УСЛОВИЯ ПРИМЕНЕНИЯ ГАРАНТИИ НА ПРОДУКЦИЮ RYOBI®

Помимо законных прав, возникающих при покупке, данное изделие покрывается гарантией в соответствии с приведенными ниже пунктами.

- Гарантийный период для покупателя составляет 24 месяца с даты покупки изделия. Дата покупки должна быть подтверждена полностью заполненным гарантийным талоном и чеком о покупке. Данное изделие предназначено только для частного использования покупателем. Поэтому гарантия не распространяется на использование в профессиональных или коммерческих целях.
- Предусмотрена возможность продления для части изделий линейки садовых инструментов (AC/DC) гарантийного периода с помощью регистрации на сайте www.ryobitools.eu. Право инструмента на продление гарантийного периода четко указано в магазинах и / или на упаковке / и содержится в сопутствующей инструменту документации. Конечный пользователь должен зарегистрировать свой приобретенный инструмент в течение 30 дней с даты покупки. Конечный пользователь может зарегистрировать свой инструмент на продление гарантии в стране своего проживания, если она указана в форме онлайн-регистрации. Кроме того, конечный пользователь должен дать свое согласие на хранение данных, которое необходимо ввести в онлайн-форму и принять правила и условия. Подтверждение регистрации, которое вы получите по электронной почте, заполненный гарантийный талон и оригинальный чек, в котором указана дата покупки, будут служить доказательством продленной гарантии.
- Гарантия покрывает в течение гарантийного периода все дефекты качества или материала изделия на дату покупки. Гарантия ограничена ремонтом и / или заменой и не включает никакие другие обязательства, включая, но не ограничиваясь случайными или косвенными убытками. Гарантия становится недействительной, если изделие использовалось не по назначению, вопреки инструкциям, данным в Руководстве пользователя или было неправильно подключено. Настоящая гарантия не распространяется на:
 - любые повреждения изделия в результате неправильного технического обслуживания или недостаточного ухода за инструментом
 - любые изделия, подвергшиеся изменениям и модификации
 - любые изделия, оригинальные идентификационные отметки которого (торговая марка, серийный номер) были повреждены, изменены или удалены
 - любые повреждения, вызванные несоблюдением инструкций Руководства пользователя
 - любые изделия, не сертифицированные маркировкой "CE" для продажи в Европейском союзе
 - любые изделия, подвергшиеся попыткам ремонта невалифицированным работником или без предварительного утверждения компании Techntron Industries.
 - любые изделия, подключенные к неправильному источнику питания (сила тока, напряжение, частота)
 - любые изделия, в которых использовались несоответствующие топливные смеси (топливо, масло, процент масла)
 - любые повреждения, вызванные внешними воздействиями (химические, физические, удары) или посторонними веществами
 - естественный износ запасных деталей
 - несоответствующее использование, перегрузка инструмента
 - использование неутвержденных аксессуаров и неоригинальных запасных деталей
 - любые регулярные регулировки, техническое обслуживание или чистка карбюраторов
 - компоненты (детали и аксессуары), подверженные естественному износу, включая, но не ограничиваясь фиксаторы шпильки приводные ремни, ценные муфты, лезвия триммеров и газонокосилок, плечевые ремни, кабельный дроссельный регулятор, угольные щетки, кабели питания, зубья, войлочные шаблы, фиксирующие шпильки, вентиляторы воздуходувки, трубки воздуходувки и пылесоса, мешок для сбора мусора и ремни, пыльные шины, пыльные цепи, шланги, соединительные детали, распылительные насадки, колеса, распылительные переходники, внутренние катушки и шпильки, режущую леску, свечи зажигания, воздушные и топливные фильтры, мульчирующие лезвия и др.
- Для проведения технического обслуживания изделие следует направлять в авторизованные сервисные центры RYOBI, указанные для каждой страны в приведенном ниже списке адресов станций сервисного обслуживания. В некоторых странах местные дилеры RYOBI отправляют изделия в сервисные организации RYOBI. При отправке изделия в сервисный центр RYOBI, изделие должно быть безопасно упаковано и не содержать никаких опасных веществ, таких как бензин, должен быть подписан адрес отправителя и сопровождаться кратким описанием неисправности.
- Ремонт / замена проводится в рамках настоящей гарантии бесплатно. Он не продлевает гарантию и не начинает новый гарантийный период. Заменяемые детали и инструменты становятся нашей собственностью. В некоторых странах отправитель должен оплачивать стоимость отправки. Ваши законные права, возникающие при покупке инструмента, остаются неизменными
- Данная гарантия действительна в Европейском Сообществе, Швейцарии, Исландии, Норвегии, Лихтенштейне, Турции и России. Вне указанных территорий обращайтесь к своему авторизованному дилеру RYOBI, чтобы узнать, применяются ли условия каких-либо других гарантий.

УПОЛНОМОЧЕННЫЙ СЕРВИСНЫЙ ЦЕНТР

Чтобы найти ближайший уполномоченный сервисный центр, обратитесь к веб-сайту <http://ru.ryobitools.eu/header/service-and-support/service-agents>.

PL WARUNKI GWARANCJI RYOBI®

Oprócz praw ustawowych wynikających z zakupu produkt jest objęty gwarancją, której warunki podano poniżej.

- Okres gwarancyjny wynosi 24 miesiące dla konsumentów i rozpoczyna się w dniu zakupu produktu. Datę zakupu należy udokumentować fakturą lub innym dowodem zakupu. Produkt został zaprojektowany i jest przeznaczony do użytku konsumenckiego i prywatnego. W związku z tym gwarancja nie obejmuje zastosowań profesjonalnych i komercyjnych.
- Istnieje możliwość wydłużenia okresu gwarancyjnego dla części asortymentu narzędzi ogrodniczych (AC/DC) poprzez zarejestrowanie produktu na stronie internetowej www.ryobitools.eu. Kwalifikowalność narzędzi do wydłużenia okresu gwarancyjnego jest wyraźnie określona w sklepach i/lub na opakowaniu oraz w dokumentacji produktu. Użytkownik końcowy musi zarejestrować nowo kupione narzędzia online w ciągu 30 dni od daty zakupu. Użytkownik końcowy może zarejestrować się w celu przedłużenia gwarancji w swoim kraju zamieszkania, jeżeli jest on wymieniony w formularzu rejestracji online, gdzie opcja ta obowiązuje. Ponadto użytkownicy końcowi muszą wyrazić zgodę na przechowywanie danych, wprowadzanych na stronie internetowej i zaakceptować regulamin. Dowodem wydłużenia gwarancji jest wysłane pocztą elektroniczną potwierdzenie rejestracji i oryginalny fakturę potwierdzającej datę zakupu.
- Gwarancja obejmuje wszystkie wady produktu ujawnione w okresie gwarancyjnym wynikające usterki wykonania lub materiału obecnego w dniu zakupu. Gwarancja jest ograniczona do naprawy i/lub wymiany i nie obejmuje żadnych innych zobowiązań, w tym między innymi odpowiedzialności za szkody przypadkowe lub wtórne. Gwarancja nie obowiązuje, jeżeli produkt był nieprawidłowo używany, używany niezgodnie z instrukcją lub nie był prawidłowo podłączony. Gwarancja nie obejmuje:
 - uszkodzenia produktu wynikającego z nieprawidłowej konserwacji,
 - produktu, który został zmieniony lub zmodyfikowany,
 - produktu, którego oryginalne oznaczenie (znak towarowy, numer seryjny) zostało zniszczone, zmienione lub usunięte,
 - jakichkolwiek uszkodzeń wynikających z nieprzestrzegania instrukcji,
 - jakiegokolwiek produktu bez certyfikatu CE,
 - jakiegokolwiek produktu, który próbowano naprawiać z pomocą niewykwalifikowanej osoby lub bez uzyskania wcześniejszej zgody firmy Techtronic Industries.
 - jakiegokolwiek produktu podłączonego nie nieprawidłowego źródła zasilania (nieprawidłowe napięcie prądu, napięcie, czystość),
 - jakiegokolwiek produktu, który był używany z nieprawidłową mieszanką paliwową (paliwo, olej, procentowy udział oleju),
 - jakichkolwiek uszkodzeń spowodowanych wpływem czynników zewnętrznych (chemicznych, fizycznych, drgań) lub substancji obcych,
 - normalnego zużycia części zamiennych,
 - nieprawidłowego użycia, przeciążenia narzędzia,
 - stosowania niezatwierdzonych akcesoriów lub części,
 - jakichkolwiek okresowych regulacji lub czyszczenia gaźników w ramach konserwacji
 - elementów (części i akcesoriów) podlegających naturalnemu zużyciu, obejmujących, między innymi, kopułki do zwalniania żyłki, pasy napędowe, sprężelno, ostrza przycinarek do żywoptłotów lub kosiarzek do trawy, urząz, przepustnicę linkową, szcztolki węglowe, przewód zasilania, zęby, podkładki filcowe, kolki podnośnika, wentylatory dmuchawy, rury nadmuchowe i ssawne, worek na śmieci i paski, prowadnice, łańcuchy piły, węże, mocowanie złącz, dysze natryskowe, koła, ostrza natryskowe, szpule wewnętrzne, szpule zewnętrzne, filtry gaza, przęta do ściółkowania itp.
- W celu serwisowania produkt należy wysłać lub okazać w autoryzowanym punkcie serwisowym RYOBI znajdującym się na przedstawionym poniżej wykazie punktów serwisowych w poszczególnych krajach. W niektórych krajach lokalny dystrybutor produktów RYOBI podejmuje się wysyłki produktu do centrum serwisowego RYOBI. W przypadku wysyłki do punktu serwisowego RYOBI produkt — pozbawiony jakichkolwiek niebezpiecznych substancji, na przykład benzyny — należy bezpiecznie zapakować i dołączyć adres nadawcy oraz krótki opis usterki.
- Naprawa/wymiana w ramach niniejszej gwarancji jest bezpłatna. Nie stanowi jednak o przedłużeniu lub rozpoczęciu od nowa biegu okresu gwarancyjnego. Wymienione części lub narzędzia stają się naszą własnością. W przypadku niektórych krajów nadawca będzie musiał uregulować koszty dostawy lub opłaty pocztowe. Prawa ustawowe wynikające z zakupu narzędzia pozostają niezmienione.
- Niniejsza gwarancja obowiązuje w Unii Europejskiej, Szwajcarii, Islandii, Norwegii, Liechtensteinie, Turcji i Rosji. Poza tymi obszarami należy skontaktować się z autoryzowanym dostawcą produktów RYOBI i ustalić, czy obowiązuje inna gwarancja.

AUTORYZOWANY PUNKT SERWISOWY

Najbliższy autoryzowany punkt serwisowy można wyszukać w witrynie internetowej <http://pl.ryobitools.eu/header/service-and-support/service-agents>.

CS ZÁRUČNÍ PODMÍNKY RYOBI®

Kromě zákonných práv vyplývajících z koupě výrobku se na tento výrobek vztahuje také níže uvedené záruka.

- Záruční doba pro spotřebitele je 24 měsíců a začíná datem nákupu výrobku. Datum musí být zaznamenáno na faktuře nebo jiném dokladu o koupi. Tento výrobek je navržen a určen pouze pro soukromé účely spotřebitelů. Záruka se tedy nevztahuje na profesionální nebo komerční využití výrobku.
- U některých zahradních nástrojů (AC/DC) je možné záruční dobu prodloužit. K tomu je nutná registrace na stránkách www.ryobitools.eu. Možnost prodloužené záruční doby výrobků je jasně uvedena v prodejních, popř. na obalech nebo v dokumentech o výrobku. Koncový uživatel musí svůj nový nástroj zaregistrovat online do 30 dnů od data nákupu. Koncový uživatel se může k prodloužené záruční době zaregistrovat v zemi trvalého pobytu, pokud je tato uvedena na internetovém registračním formuláři u výrobku, kde je tato možnost dostupná. Koncoví uživatelé musí dále souhlasit s uložením osobních údajů, která musí zadat na internetu, a přijmout obchodní podmínky. E-mail s potvrzením registrace a původní faktura s datem koupě poslouží jako důkaz o prodloužené záruce.
- Záruka se vztahuje na veškeré vady na výrobku v rámci záruční doby způsobené výrobními vadami nebo vadami materiálu v době koupě. Záruka je omezena na opravu, popřípadě výměnu a nezahrnuje žádné další povinnosti, včetně mimo jiné vedlejších či následných odškodnění. Záruka neplatí při použití výrobku k nevhodným účelům, v rozporu s uživatelskou příručkou nebo při nesprávném zapojení. Záruka se nevztahuje na:
 - veškeré škody na výrobku způsobené nesprávnou údržbou
 - veškeré produkty, které byly pozměněny nebo upraveny
 - veškeré produkty, kde byly původní identifikační prvky (obchodní značka, sériové číslo) poničeny, pozměněny nebo odstraněny
 - veškeré škody způsobené nedodržováním pokynů uživatelské příručky
 - veškeré produkty bez CE certifikace
 - veškeré produkty, které se pokusil opravit nekvalifikovaný odborník nebo opravy bez předchozího svolení společnosti Techtronic Industries.
 - veškeré produkty zapojené do nesprávného elektrického zdroje (proud, napětí, frekvence)
 - veškeré produkty používané s nevhodnou palivovou směsí (paliwo, olej, procento oleje)
 - veškeré škody způsobené externími vlivy (chemickými, fyzickými, nárazy) nebo cizími látkami
 - běžné opotřebování dílů
 - nevhodné použití, přetěžování nástroje
 - použití neschválených příslušenství nebo dílů
 - veškerá pravidelná seřízení nebo čištění v rámci údržby karburátorů
 - komponenty (díly a příslušenství) podléhající opotřebení, včetně mimo jiné nárazových koleček, posuvných pásů, spojek, nožů plotových nůžek a sekaček na trávu, popruhu, plynového lanka, karbonových kartáčů, napájecího kabelu, zubů, plstěných podložek, závěsných kolků, větráků fukaru, trubic fukaru a vysavače, vaku a popruhu vysavače, vodících lišt, pilových řetězů, hadic, konektorů, trysek, kol, stíhacích tyčí, vnitřních cívek, vnějších kotoučů, řezných strun, zapalovacích svíček, vzduchových filtrů, plynových filtrů, mulčovačích nožů atd.
- K provedení servisu musí být výrobek zaslán nebo předán do autorizovaného servisního centra společnosti RYOBI, jejichž adresy jsou uvedeny podle zemi v seznamu servisních center. V některých zemích za vás výrobek pošle servisní organizaci RYOBI sám prodejce výrobků této značky. Při zaslání výrobku do servisního centra RYOBI je potřeba výrobek bezpečně zabalit bez nebezpečného obsahu jako benzín, opatřit adresou odesílatele a připojit krátký popis závady.
- Oprava, popř. výměna v rámci této záruky je zdarma. Neznamená to prodloužení nebo začátek nové záruční lhůty. Vyměněné díly nebo nástroje přejdou do našeho vlastnictví. V některých zemích platí poštovné odesílatele. Vaše zákonná práva vyplývající z koupě tohoto nástroje zůstávají nedotčena.
- Tato záruka platí v Evropském Společenství, Švýcarsku, Norsku, Lichtenštejnsku, Turecku, Rusku a na Islandu. Mimo tato území kontaktujte autorizovaného prodejce značky RYOBI, který zjistí, zda se na výrobek vztahuje jiná záruka.

POVĚŘENÉ SERVISNÍ STŘEDISKO

Pro nalezení nejbližšího pověřeného servisního střediska navštivte <http://cz.ryobitools.eu/header/service-and-support/service-agents>.

HU A RYOBI® GARANCIA ALKALMAZÁSÁNAK FELTÉTELEI

A vásárlásból adódó törvényben rögzített jogok mellett a termékre az alábbi garancia vonatkozik.

1. A fogyasztói garancia tartama 24 hónap, mely a termék vásárlásának napjával kezdődik. Ezt a dátumot számlával vagy a vásárlást igazoló egyéb dokumentummal kell bizonyítani. A termék rendelkezése csak fogyasztói és magáncélú használat. Ezért professzionális vagy kereskedelmi használat esetén a garancia nem érvényes.
2. A kerti szerszámok (egyenáramú/váltóáramú) egy részénél a garancia időtartama a www.ryobitools.eu weboldalon regisztrálva meghosszabbítható. Az áruházakban, a csomagoláson, illetve a termék dokumentációjában egyértelműen jelezzük, hogy az adott termék garanciája meghosszabbítható-e. A végfelhasználónak a vásárlás dátumától számított 30 napon belül regisztrálnia kell az újonnan vásárolt szerszámot. A végfelhasználó akkor regisztrálhat a kiterjesztett garanciára, ha az ország, ahol lakik, fel van sorolva az online regisztrációs űrlapon azon országok között, ahol választható ez az opció. Ezenkívül a végfelhasználónak bele kell egyeznie az online regisztrálás során szükséges adatok tárolásába, és el kell fogadnia a felhasználási feltételeket. A kiterjesztett garanciát a regisztráció beérkezésétől e-mailben küldött visszaigazolás és a vásárlás dátumát tartalmazó eredeti számla igazolja.
3. A garancia a termék vásárlásakor fennálló, a gyártás során keletkezett hibákra és anyaghibákra érvényes a garanciális időtartamon belül. A garancia csak a javításra/cseréire korlátozódik, és nem terjed ki semmilyen egyéb kötelezettségre, nem kizárólagosan ideértve a véletlen vagy szándékos rongálást. A garancia nem érvényes, ha a terméket nem megfelelően, a használati utasításban foglaltakkal ellentétben, illetve nem megfelelően csatlakoztatva használták. A garancia nem vonatkozik:
 - a terméket a nem megfelelő karbantartás következtében ért károsodásra – megváltoztatott vagy átalakított termékre
 - olyan termékre, melyen az eredeti azonosítókat (védjegy, sorozatszám) megrongálták, megváltoztatták vagy eltávolították
 - a használati utasítás be nem tartásából eredő kárra
 - CE jelöléssel nem rendelkező termékekre
 - olyan termékre, melyet nem képzett, illetve a Techtronic Industries által nem feljogosított szerelő javított
 - nem megfelelő (áramerősségű, feszültségű, frekvenciájú) áramforrásra csatlakoztatott termékre
 - nem megfelelő üzemanyag-keverékkel (üzemanyag, olaj, olaj aránya) használt termékre
 - külső (fizikai, utás) hatásokból vagy idegen anyagokból eredő károkra
 - a cserélhető alkatrészek természetes kopására és elhasználódására
 - a szerzőszám helytelen használatára, túlerhelésére
 - nem jóváhagyott tartozékok és alkatrészek használatára
 - A karburátorok rendszeres beállítása, karbantartása, tisztítása
 - A természetes kopásnak és elhasználódásnak kitett alkatrészek és kiegészítők, például (de nem kizárólag) damildobok, ékszíjak, foglalatok, sövényvágók és fűnyírók kése, heveder, gázbowden, szénkefék, tápkábel, kultivátorfogak, ficalátétek, akasztószögek, fűvókészülékek ventilátora, fűvő- és szívócsövek, szívózsák és pántok, terelőrudak, fűrészláncok, tömlők, csatlakozószervevények, permetezőfejek, kerekék, permetezőzsárok, belső dobok, külső csévék, vágódamlok, gyűjtőgyertyák, légszűrők, gázsűrők, mulcsozókések stb.
4. A terméket javításra el kell vinni egy meghatalmazott RYOBI szervizbe; ezeket a egyes országokhoz a következő listában találja. Egyes országokban a helyi RYOBI kereskedő vállalja a termék elszállítását a RYOBI szervizbe. A terméket veszélyes tartalom, például benzín nélkül csomagolva, a feladó címét feltüntetve, a hiba rövid leírásával együtt küldje el a RYOBI szervizbe.
5. A jelen garancia hatálya alatt végzett javítás, illetve csere ingyenes. Nem jelenti a garanciális időtartam újraindulását. A kicserélt alkatrészek és szerszámok a mi tulajdonunkba kerülnek. Egyes országokban a szállítás vagy postázás költségét a feladó viseli. A vevőnek a szerzőszám megvásárlásából adódó törvényes jogai nem változnak.
6. Jelen garancia az Európai Közösségben, Svájcban, Izlandon, Norvégiában, Liechtensteinben, Törökországban és Oroszországban érvényes. E területen kívül kérdezze meg a RYOBI forgalmazót, hogy milyen garancia van érvényben.

HIVATALOS SZERVIZKÖZPONT

A legközelebbi hivatalos szervizközpont megtalálásához látogasson el a <http://hu.ryobitools.eu/header/service-and-support/service-agents>.

RO CONDIȚII DE APLICARE A GARANȚIEI PENTRU PRODUSELE RYOBI®

În plus față de condițiile statutare rezultate din achiziționarea acestui produs, acesta este acoperit de garanția stipulată mai jos.

1. Perioada de garanție este de 24 de luni pentru consumatori și începe de la data achiziționării produsului. Data de începere a garanției trebuie demonstrată cu o factură sau altă dovadă a cumpărării produsului. Produsul este destinat și conceput doar pentru utilizare în scopuri personale. Din acest motiv, nu se oferă garanție pentru utilizarea sa în scop profesional sau comercial.
2. Există posibilitatea de extindere a perioadei de garanție pentru gama de unelte electrice pentru grădină (de CA/CC) peste perioada stipulată mai sus prin înscrierea produsului pe website-ul www.ryobitools.eu. Eligibilitatea pentru perioada de extindere a garanției este afișată în mod clar în magazinele de vânzare și/sau pe ambalaj sau este inclusă în documentația livrată împreună cu produsul. Utilizatorul final este obligat să-și înregistreze produsul online în termen de maxim 30 de zile de la achiziția acestuia. Utilizatorul final poate înregistra produsul pentru garanția extinsă oferită în țara sa de rezidență dacă aceasta este listată în formularul de înregistrare online și dacă această opțiune este validă. În plus, utilizatorii finali trebuie să-și dea acordul pentru stocarea datelor personale solicitate la înregistrarea online și trebuie să accepte termenii și condițiile. Mesajul de confirmare a înregistrării, trimis prin e-mail și factura originală cu data achiziției vor dovedi perioada de garanție extinsă.
3. Garanția acoperă toate defecțiunile produsului survenite în perioada de garanție datorate defectelor de execuție sau materialelor folosite, începând cu data achiziției acestuia. Garanția este limitată la reparare și/sau înlocuire și nu include alte obligații, inclusiv, dar fără a se limita la daune accidentale sau rezultate pe cale de consecință. Garanția își pierde valabilitatea dacă produsul este utilizat necorespunzător, utilizează necorespunzător instrucțiunile de utilizare din manualul cu instrucțiuni sau conectat incorect. Garanția nu se aplică în cazul:
 - oricărei defecțiuni survenite în urma întreruperii necorespunzătoare a produsului
 - oricărui produs alterat sau modificat
 - oricărui produs la care inscripțiile cu datele de identificare (marca comercială, numărul de serie) au fost șterse, modificate sau îndepărtate
 - oricărei defecțiuni datorate neconformării cu instrucțiunile din manualul de utilizare
 - oricărui produs necertificat CE
 - oricărui produs asupra căruia au fost efectuate tentative de reparare de către personal necalificat sau fără autorizație prealabilă din partea Techtronic Industries.
 - oricărui produs conectat la o sursă de alimentare necorespunzătoare (curent, tensiune, frecvență)
 - oricărui produs utilizat cu un amestec de carburant necorespunzător (combustibil, ulei, proporții de adaos ulei)
 - oricărui defecțiune datorate unor influențe externe (chimice, fizice, șocuri) sau substanțe străine
 - uzurii și fisurării normale a pieselor de rezervă
 - utilizării neadecvate, suprasolicitării uneltei
 - utilizării de piese și accesorii neaprobate
 - Operațiunile de curățare sau reglare periodică a carburatoarelor
- Componentele (piese și accesorii) supuse uzurii și defectării normale, care includ, fără a se limita la manșoane de protecție, curele de transmisie, ambreiaj, lamele de la tăietoarele de arbore sau gazon, harnașamente, cablu de accelerație, perii de cărbune, cordon de alimentare, dinți, discuri de păslă, știfturi de siguranță, ventilatoare de suflantă, tuburi de aspirare sau suflare, sac de colectare resturi și banda de susținere a acestuia, bare de ghidare, lanțuri de fierăstrău, furtunuri, accesorii de conectare, duze de pulverizare, volante, baghete de pulverizare, moșoare interne, carcase exterioare pentru moșoare, fire tăietoare, bujii, filtre de aer, filtre de gaz, lame de tocător, etc.
4. Pentru efectuarea reparațiilor, produsul trebuie trimis sau adus la un centru de reparații autorizat RYOBI din lista următoare de centre de reparații prezentate pentru fiecare țară. În anumite țări, reprezentatul local RYOBI va trimite produsul spre reparare la sediul central de reparații RYOBI. Atunci când trimiteți produsul spre reparare la un centru de reparații RYOBI, acesta trebuie ambalat în siguranță, fără conținut periculos (cum ar fi benzină), marcat cu adresa expeditorului și însoțit de o scurtă descriere a defectului.
5. Repararea/înlocuirea în perioada de garanție este gratuită. Aceasta nu este însoțită de o prelungire sau o reințiere a perioadei de garanție. Piesele sau uneltele schimbate devin proprietatea dvs. În anumite țări, taxele de expediție sau postate vor fi suportate de expeditor. Drepturile dvs. statutare rezultate din achiziția produsului rămân neschimbate.
6. Această garanție este valabilă în Comunitatea Europeană, Elveția, Islanda, Norvegia, Liechtenstein, Turcia și Rusia. În afara acestor zone, vă rugăm să contactați reprezentantul dvs. local RYOBI pentru a determina dacă se aplică alt tip de garanție.

CENTRU DE SERVICE AUTORIZAT

Pentru a găsi un centru de service autorizat lângă dvs., vizitați <http://uk.ryobitools.eu/header/service-and-support/service-agents>.

LV RYOBI® GARANTIJAS PIEMĒROŠANAS NOSACĪJUMI

Papildus jebkādam likumiskajām tiesībām, kuras rodas, veicot pirkumu, izstrādājums tiek nodrošināts ar tālāk tekstā noteikto garantiju.

1. Garantijas periods patērētājiem ir 24 mēneši, tač skatīte tiek sāktā no datuma, kurā veikta izstrādājuma iegāde. Šim datumam jābūt dokumentētā rēķinā vai citā pirkumu apliecināšā dokumentā. Izstrādājums ir radīts un paredzēts tikai patērētājā privātai lietošanai. Saisībā ar iepriekšminēto, garantija netiek nodrošināta profesionālas vai komerciālas lietošanas gadījumā.
2. Pastāv iespēja pagarināt daļas no dārza instrumentu klāsta (Maignstrāvas/akumulatoru) garantiju ilgāk par iepriekš minēto periodu, izmantojot reģistrāciju interneta vietnē www.ryobitools.eu. Instrumenti, kas pakļauti garantijas perioda pagarināšanai, tiek skaidri apzīmēti veikalos un/vai uz iepakojuma un izstrādājumu komplektējošajā dokumentācijā. Gala lietotājam nepieciešams reģistrē tā iegādātā jauno instrumentu 30 dienu laikā no pirkuma datuma. Gala lietotājs var reģistrēties pagarinātajai garantijai savā mītnes valstī, ja tā minēta tiešsaistes reģistrācijas veidlapā, kurā šī iespēja ir aktīva. Bez tam, gala lietotājam ir jāsniedz pierādīšana tiešsaistes ievadīšanai nepieciešamo datu glabāšanai un jāpiekrīt noteikumiem un nosacījumiem. Reģistrācijas apstiprinājums, kas tiek nosūtīts, izmantojot e-pastu, un rēķina oriģināls, kurā norādīts iegādes datums, kalpo kā pagarinātās garantijas apstiprinājums.
3. Garantija attiecas uz visiem izstrādājumu defektiem garantijas periodā, kas saistīti ar ražošanas vai materiālu defektiem no pirkuma datuma. Šī garantija tiek ierobežota ar remontu un/vai nomaiņu un neietver jebkādas citas saistības, tajā skaitā, bet ne tikai, cēloņsakarīgos vai saistītos bojājumus. Garantija nav spēkā, ja izstrādājums ir nepareizi lietots, izmantots pretēji norādēm lietošanas rokasgrāmatā vai bijis nepareizi pieslēgts. Šī garantija netiek attiecināta uz:
 - jebkādiem izstrādājuma bojājumiem, kas radušies nepareizas uzstādēšanas rezultātā
 - jebkuru izstrādājumu, kas ticis pārveidots vai mainīts
 - jebkuru izstrādājumu, kura oriģinālais identifikācijas (preču zīme, sērijas numurs) marķējums ir ticis nodzēsts, mainīts vai noņemts
 - jebkādiem bojājumiem, kuri radušies neievērojot norādes lietošanas rokasgrāmatā
 - jebkādam izstrādājumam bez CE sertifikācijas
 - jebkurai izstrādājumam, kura remontu mēģinājis veikt nekvalificēts personāls vai bez Technonic Industries iepriekšējas autorizācijas.
 - jebkurai izstrādājumam, kurš bijis pieslēgts neatbilstošu parametru (strāvas, sprieguma, frekvences) sprieguma avotam
 - jebkurai izstrādājumam, kurš bijis izmantots ar nepareizu degvielas maisījumu (degviela, eļļa, eļļas procentuālais saturs)
 - jebkuriem bojājumiem, kuri radušies ārējas iedarbības (ķīmiskas, fiziskas, triecieni) vai vielu ietekmē
 - detaļu normāla lietošanas nodiluma rezultātā
 - nepareizas lietošanas vai instrumentu pārslodzes rezultātā
 - neapstiprinātu detaļu vai aprīkojuma lietošanas rezultātā
 - jebkādu periodiskus karburatoru regulēšanas darbus vai apkopes tīrīšanu
 - Komponentus (daļas un aksesuārus), kas pakļauti dabīgam nodilumam, ieskaitot, bet neaprobežojoties ar atslētienu pogām, piedziņas sīksnādi, sajūgjiem, krūmu šķēru un pļaujmašīnu asmeņiem, uzskabēm, droseļu trošlēm, oglekļa sukām, elektrības vadiem, tapām, filca aplākšņiem, sakābes tapām, pūtēja ventilatoriem, pūtēja un sūkšanas caurulēm, savākšanas maisiem un sīksnādi, vadotņu plankām, zaģu ķēdēm, šūtenēm, savienojumu uzgaļiem, izsmidzinātāja uzgaļiem, riteņiem, izsmidzinātāja caurulēm, iekšējām spoļēm, ārējām spoļēm, pļaušanas aukām, aizdedzes svečēm, gaisa filtriem, degvielas filtriem, mulčēšanas asmeņiem, utt.
4. Servisa nodrošināšanai, izstrādājums ir jānodod pilnvarotā RYOBI servisa centrā, kas norādīts katrai valstij tālāk minētajā servisa centru adrešā sarakstā. Dažās valstīs jūsu vietējais RYOBI izplatītājs uzņemas izstrādājuma nosūtīšanu uz RYOBI servisa organizāciju. Nosūtīt izstrādājumu uz RYOBI servisa centru, izstrādājuma jābūt droši iepakotam, tas nedrīkst saturēt bīstamas vielas kā degvielu, sūtiĶjumu jābūt marķētam ar sūtiĶtāja adresi un īsu ķijurmes aprakstu.
5. Remonts/nomaiņa šīs garantijas ietvaros ir bezmaksas. Tas nerada garantijas perioda pagarināšanu vai jaunu garantiju. Nominātais daļas vai instrumentu ķijūst par mūsu īpašumu. Dažās valstīs piegādes vai pasta izmaksas būs jāapmaksā sūtiĶtājam. Jūsu likumiskās tiesības, kas nodibinās, iegādājoties instrumentu, paliek nemainīgas
6. Šī garantija ir spēkā Eiropas Kopienā, Šveicē, Islandē, Norvēģijā, Līhtenšteinā, Turcijā un Krievijā. Ārpus šīm teritorijām, lūdz, sazinieties ar jūsu pilnvaroto RYOBI izplatītāju, lai noteiktu, vai ir piemērojama cita garantija.

AUTORIZĒTS APKALPOŠANAS CENTRS

Lai atrastu tuvāko autorizēto apkāļpošanas centru, apmeklējiet <http://uk.ryobitools.eu/header/service-and-support/service-agents>.

LT „RYOBI®“ GARANTIJOS TAIKĶMO SĄLYGOS

Papildant bet kokias įstatymuose numatytas perkant atsiřandančias teises, šiam įrenginiui taikoma toliau nurodyta garantija.

ĮGALIOTOS TECHNINĒS PRIEŽIŪROS CENTRAS

Jei norite surasti įgaliotą techninės priežiūros centrą netoli Jūsų, apsilankykite interneto svetainėje <http://uk.ryobitools.eu/header/service-and-support/service-agents>.

ET RYOBI® GARANTIINGIMUSED

Lisaks toote ostust tulenevatele seadusjärgsetele õigustele, kehtib tootele ka alltoodud garantiiga.

1. Tarbijatele on garantiiaeg 24 kuud ja algab sellel kuupäeval, mil toode osteti. Selle kuupäeva tõestuseks on vaja arvet või mõnda teist tõendit ostu sooritamise kohta. Toode on mõeldud etarbijatele ainult isiklikeks kasutamiseks. Seega ei kehti garantiid ostu kasutamisel kutsetegevuses või kaubanduslikel eesmärkidel.
2. Teatud osale (vahelduvvoolu/alalisvoolu) aiatööriistadele on võimalik pikendada eespool toodud garantiiaega, kasades toote registreerimist veebilehel www.ryobitools.eu. Teave tööriista võimaliku pikendatud garantiiaja kohta on selgelt esile toodud poodides ja/või pakendil / ning see sisaldub toote dokumentatsioonis. Lõpptarbijaja peab registreerima oma uued tööriistad interneti teel 30 päeva jooksul pärast ostupäeva. Lõppkasutaja võib registreerida pikendatud garantiiaja saamise oma elukohariigis, kui veebis olevas registreerimisvormis on see valik lubatud. Lisaks peavad kasutajad andma oma nõusoleku veebis nõutud sisestatavate andmete säilitamiseks ning nad peavad nõustuma tingimustega. E-posti teel saadetav registreerimise kinnitus ja arve originaal, kus on näha ostu sooritamise kuupäev, on pikendatud garantiiaja tõestuseks.
3. Garantiid katab kõik defektid toote garantiiaja jooksul, kui ostu kuupäeval ilmnevad talitus- või materjalvead. Garantiid piirub toote remondi ja/või väljavahetamisega ning ei sisalda muid kohustusi, muu hulgas ettenägematuid või kaudseid kahjusid. Garantiid ei kehti, kui toodet ei ole kasutatud sihtotstarbelselt või kooskõlas kasutusjuhendiga või see on valesti ühendatud. Garantiid ei kehti järgmistel põhjustel:
 - toode on kahjustatud vale hoolduse tõttu
 - toode on muudetud
 - toote algupärased identifitseerimismärgised (kaubamärk, seerianumber) on rikutud, muudetud või eemaldatud
 - kahju on tekkinud kasutusjuhendi mittejärgimises
 - tootel puudub CE-märgis
 - toode on püüdnud remondida vastavalt kvalifikatsiooni mitte omav isik või ilma firma Techtronic Industries eelneva loata.
 - toode on ühendatud valesse teiteallikasse (voolutugevus, pinge, sagedus)
 - tootega kasutati sobimatut kütusesegu (kütus, õli, õli protsent)
 - välismõjude (keemilised, füüsilised, elektrilöögid) või võõrkehade tekitatud kahju
 - tavapärase kulumine ja katkised varuosad
 - ebaõige kasutamine, tööriista ülekoormamine
 - heakskiitmata tarvikute või osade kasutamine
 - Karburaatorite korralised reguleerimistööd või hooldus- ja puhastustööd
 - Komponendid (osad ja tarvikud), mida iseloomustab kulumine ja vananemine, muu hulgas puutenupud, kiilrihmad, sidur, heklöökurite või muruniidukite löiketerad, rakmed, gaasitorid, süsinikharjad, toitejuhe, freesiterad, vildist seibid, tihvtid, õhuvventilaatorid, puhuri- ja imuritord, kogumiskott ja riimad, juhikud, saeketid, voolikud, liitmikud, pihusti otsakud, rattad, pritsi varred, sisemised poolid, välimised poolid, jõhvid, süteküünlad, õhufiltrid, gaasifiltrid, multšimisterad jne.
4. Hoolduseks peab toote saatma või viima RYOBI tootnud teenindusse, mille aadressi leiata järgnevat teeninduspunkti nimekirjast vastava riigi alt. Mõnedes riikides võtab kohalik RYOBI edasimüüja enda kanda kohustuse saata toode RYOBI teenindusorganisatsiooni. Toote saatmisel RYOBI teenindusse peab toode olema ohutult pakitud ja ei tohi sisaldada ohtlikke aineid (nt bensiini), kirjas peab olema saatja aadress ja lisatud vea lühikirjeldus.
5. Garantiil alusel tehtavad remonditööd / asendamine on tasuta. See ei pikenda garantiid kehtivusaega ega tähistu uue garantiiaja algust. Väljavahetatud osad või tööriistad kuuluvad meile. Mõnedes riikides maksab kätetoimetamis- ja postikulud saatja. Teile jäävad kehtima tööriista ostust tulenevad seadusjärgsed õigused
6. See garantiid kehtib Euroopa Ühenduse territooriumil, Šveitsis, Islandil, Norras, Liechtensteinis, Türgis ja Venemaal. Väljaspool neid piirkondi võtke ühendust volitatud RYOBI edasimüüjaga, et teha kindlaks kas kehtib mõni teine garantiid.

VOLITATUD HOOLDUSKESKUS

Oma volitatud hoolduskeskuse leiata veebisaidil <http://uk.ryobitools.eu/header/service-and-support/service-agents>.

HR UVJETI PRIMJENE JAMSTVA TVRTKE RYOBI®

Osim svim zakonskim pravima koja proizlaze iz kupnje, ovaj je proizvod pokriven jamstvom kako je navedeno u nastavku.

1. Jamstveno razdoblje za potrošače traje 24 mjeseca i počinje s datumom na koji je proizvod kupljen. Taj datum mora se dokumentirati računom ili drugim dokazom o kupnji. Proizvod je konstruiran i namijenjen samo za privatnu upotrebu korisnika. Stoga se jamstvo ne daje u slučaju profesionalne ili komercijalne uporabe.
2. Postoji mogućnost da se za dio asortimana vrtnih alata pokretanih izmjeničnom strujom (AC/DC) proizvodi gore navedeno jamstveno razdoblje putem registriranja na mrežnom mjestu www.ryobitools.eu. Uvjeti koje je potrebno zadovoljiti kako bi se produžilo jamstveno razdoblje jasno su istaknuli u prodavaonicama i / ili na pakiranju i / nalaze se unutar dokumentacije proizvoda. Krajnji korisnik mora registrirati svoje novo kupljene alate na mreži u roku od 30 dana od datuma kupnje. Krajnji korisnik može se registrirati za produženo jamstvo u svojoj zemlji boravišta ako se nalazi na popisu u mrežnom obrascu za registraciju gdje je ta opcija važeća. Nadalje, krajnji korisnici moraju dati svoj pristanak na pohranu podataka koji su potrebni za mrežni ulazak i moraju prihvatiti odredbe i uvjete. Potvrda o prijemu registracije, koja se šalje putem e-pošte, kao i originalni račun s vidljivim datumom kupnje poslužat će kao dokaz produženog jamstva.
3. Jamstvo pokriva sve nedostatke proizvoda tijekom jamstvenog razdoblja koji su nastali zbog neispravnosti prilikom izrade ili materijala s datumom kupnje. Jamstvo je ograničeno na popravak i/ili zamjenu i ne obuhvaća nikakve druge obveze, uključujući, ali ne ograničavajući se na slučajne ili posljedne štete. Jamstvo ne vrijedi ako je proizvod bio zlorabljivan, korišten u suprotnosti s priručnikom s uputama ili ako je pogrešno spojen. Ovo jamstvo ne primjenjuje se na:
 - svako oštećenje proizvoda koje je rezultat nepravilnog održavanja
 - svaki proizvod koji je izmijenjen ili modificiran
 - svaki proizvod gdje su originalne identifikacijske oznake (zaštitni znak, serijski broj) izbrisane, zamijenjene ili uklonjene
 - svako oštećenje uzrokovano neprirodavanjem korisničkog priručnika
 - svaki proizvod koji nije CE
 - svaki proizvod koji je pokušao popraviti ne kvalificirani profesionalac ili bez prethodnog odobrenja od strane Techtronic Industries
 - svaki proizvod priključen na nepravilno napajanje energijom (amperi, napon, frekvencija)
 - Svaki proizvod korišten s neodgovarajućom mješavinom (gorivo, ulje, postotak ulja)
 - svako oštećenje uzrokovano vanjskim utjecajima (kemijsko, fiziko, udar) ili stranim stvarima
 - normalno trošenje i habanje rezervnih dijelova
 - nepravilno korištenje, preopterećenje alata
 - korištenje neodobrenog dodatnog pribora ili dijelova
 - rasplinjača nakon 6 mjeseci, podcavijanje rasplinjača nakon 6 mjeseci
 - komponente (dijelovi i dodatni pribor) koji su predmet prirodnog trošenja i habanja, uključujući no ne ograničavajući se na gumbe za otpuštanje, pogonske remene, spojku, oštrice trimera za grmlje ili kosilicu, kope, sajle gasa, ugljene četke, kabele za napajanje, nožve, podloške, ztkice za globnu vezu, ventilatore puhalice, cijevi za ispuhavanje i usisavanje, vakuumske vrećice i trake, vodilice, lance pile, crijeva, priključene elemente, mlaznice za raspršivanje, kodače, koplja za raspršivanje, unutarnje kolote, vanjske kaleme, flaksove, svjećice, filtre za zrak, filtre za plin, oštrice za usitnjavanje itd.
4. Za potrebe servisiranja, proizvod se mora poslati ili odnijeti u ovlaštenu servisnu postaju tvrtke RYOBI navedenu na sljedećem popisu s adresama servisnih postaja u svakoj zemlji. U nekim zemljama, vaš lokalni RYOBI zastupnik obvezuje se da će poslati proizvod u servisnu organizaciju tvrtke RYOBI. Kada se proizvod šalje u neku servisnu postaju tvrtke RYOBI, proizvod se mora sigurno pakirati bez jednog od opasnih sadržaja kao što je benzin, na njemu mora pisati adresa pošiljatelja i mora biti popraćen kratkim opisom kvara.
5. Popravak / zamjena pod ovim jamstvom su besplatni. Oni ne predstavljaju produženje ili novi početak jamstvenog razdoblja. Zamijenjeni dijelovi ili alati postaju naše vlasništvo. U nekim državama troškove isporuke ili poštarnu mora platiti pošiljatelj. Vaša zakonska prava koja proizlaze iz kupnje alata ostaju nepromijenjena
6. Ovo jamstvo vrijedi u Europskoj uniji, Švicarskoj, Islandu, Norveškoj, Lichtenštajnu, Turskoj i Rusiji. Izvan tih područja vas molimo da se obratite svojem ovlaštenom zastupniku tvrtke RYOBI kako biste utvrdili primjenjuje li se drugo jamstvo.

OVLAŠTENI SERVISNI CENTAR

Za pronalaženje ovlaštenog servisnog centra pored vas posjetite <http://uk.ryobitools.eu/header/service-and-support/service-agents>.

SL POGOJI ZA VELJAVNOST GARANCIJE RYOBI®

Poleg morebitnih zakonsko določenih pravic, ki izvirajo iz nakupa, za ta izdelek velja spodaj navedena garancija.

- Garancijsko obdobje je za potrošnike 24 mesecev in začne teči z dnem nakupa izdelka. Ta datum mora biti dokumentiran z računom ali drugim dokazilom o nakupu. Izdelek je zasnovan in namenjen izključno za potrošniško zasebno uporabo. V primeru strokovne oziroma komercialne uporabe izdelka garancija ne velja.
- Obstaja možnost podaljšanja garancije na del naših ponudbe vrtnih orodij (AC/DC) prek obdobja garancije, opisanega zgoraj, s pomočjo registracije na spletnem mestu www.ryobitools.eu. Ustreznost orodij za podaljšanje garancijskega obdobja je jasno prikazana v trgovinah in/ali na embalaži oziroma je navedena v dokumentaciji izdelka. Končni uporabnik mora registrirati svoje novo orodje na spletu v 30 dneh po datumu nakupa. Končni uporabnik lahko registrira podaljšano garancijo v svoji državi bivanja, če je na obrazcu spletne registracije navedeno, da ta možnost velja za njegovo državo. Poleg tega morajo končni uporabniki podati svoje soglasje za shranjevanje podatkov, ki so potrebni za spletno državo in morajo sprejeti pogoje in določila uporabe spletnega mesta. Potrdilo o registraciji, ki ga pošljemo preko e-pošte, in originalni račun, ki prikazuje datum nakupa, služita kot dokazilo o podaljšani garanciji.
- Garancija krije vse okvare izdelka, do katerih pride v garancijskem obdobju zaradi napak v izdelavi ali materialu, ki so bile prisotne ob datumu nakupa. Garancija je omejena na popravilo in/ali zamenjavo in ne vključuje nobenih drugih obveznosti, med drugim vključno z naključno ali posledično škodo. Garancija ne velja, če je bil izdelek napačno uporabljen, uporabljen v nasprotju z navodili iz priročnika za uporabo ali če ni bil pravilno povezan. Ta garancija ne velja za:
 - škodo na izdelku, ki je posledica neustreznega vzdrževanja
 - spremenjen ali prilagojen izdelek
 - izdelek, katerega originalna identifikacijska oznaka (blagovna znamka, serijska številka) je bil poškodovan, spremenjena ali odstranjena
 - škodo, ki je posledica neupoštevanja navodil iz priročnika za uporabo
 - izdelek, ki nima oznake CE
 - izdelek, ki ga je poskušal opraviti ne kvalificiran strokovnjak ali ki je bil popravljen brez predhodne odobritve s strani družbe Techtronic Industries.
 - izdelek, ki je bil povezan na neustrezno napajanje (amperska moč, napetost, frekvenca)
 - izdelek, ki je bil uporabljen z neustrezno mešanico goriva (gorivo, olje, odstotek olja)
 - škodo, ki jo povzročijo zunanji vplivi (kemični, fizični, mehanski) ali tuje snovi
 - rezervne dele, ki so podvrženi običajni uporabi
 - neprimerno uporabo, preobremenitev orodja
 - uporabo neodobrenih dodatkov ali delov
 - Vsako redno prilagajanje ali vzdrževalno čiščenje uplinjačev
 - Komponente (sestavni in rezervni deli), ki so podvrženi običajni obrabi, med drugim vključno z gumbi odbijača, pogonskimi jermeni, sklopko, rezili obrezovalnikov za žive meje ali kosilnic za trato, nosilnimi pasovi, kabli, dušilnimi ventili, oglikovimi krtačami, napajalnimi kabli, zobci, tesnili iz filca, veznimi zatiči, ventilatorji pihalnika, cevni pihalnika in sesalnika, vrečko in pasovi sesalnika, vodilnimi palicami, verigami motorne žage, cevami, priključki, razpršilnimi šobami, kolesi, razpršilnimi palicami, notranjimi kolesci, zunanji motki, rezalnimi vrvicami, vžigalnimi svečkami, zračnimi filtri, plinskimi filtri, rezili za mulčenje itd.
- Za servisiranje morate izdelek poslati ali prinesiti v pooblaščen servisni center družbe RYOBI, ki je naveden za vsako državo in naslednjem seznamu naslovov servisnih centrov. V nekaterih državah se vaš lokalni posrednik družbe RYOBI obveže, da bo poslal izdelek na servis družbe RYOBI. Ko pošiljate izdelek v servisni center družbe RYOBI, mora biti izdelek varno zapakiran in ne sme vsebovati nobenih nevarnih snovi, kot je npr. bencin, opremljen pa mora biti z naslovom pošiljatelja in vsebovati kratek opis napake.
- Popravilo/zamenjava v skladu s to garancijo sta brezplačni storitvi. To pa ne predstavlja podaljšanja ali ponovnega začetka garancijskega obdobja. Zamenjani deli ali orodja postanejo naša last. V nekaterih državah stroške dostave ali poštno plača pošiljatelj. Vaše zakonsko določene pravice, ki izvirajo iz nakupa orodja, ostajajo nespremenjene.
- Ta garancija velja v Evropski skupnosti, Švici, Islandiji, na Norveškem, v Lihtenštajnu, v Turčiji in Rusiji. Izven teh območij se obrnite na svojega pooblaščenega posrednika izdelkov RYOBI, dealer ki vam bo povedal, ali velja kakšna druga garancija.

POOBLAŠČEN SERVISNI CENTER

Pooblaščen servisni center blizu vas poiščite na <http://uk.ryobitools.eu/header/service-and-support/service-agents>.

SK ZÁRUČNÉ PODMIENKY RYOBI®

Na tento výrobok sa okrem všetkých zákonných práv, vyplývajúcich z nákupu, vzťahuje záruka v nasledovnom znení.

- Záručná doba pre spotrebiteľa je 24 mesiacov a začína plynúť odo dňa, kedy bol výrobok zakúpený. Tento dátum musí byť doložený faktúrou alebo iným dokladom o zakúpení. Výrobok je navrhnutý a určený pre spotrebiteľov a len na súkromné používanie. Preto sa záruka sa neposkytuje v prípade použitia na profesionálne a komerčné účely.
- V prípade záhradného náradia (na striedavý/jednosmerný prúdu AC/DC), existuje možnosť predĺženia záručnej doby oproti záručnej dobe, uvedenej vyššie, s využitím on-line registrácie na webovej stránke www.ryobitools.eu. Označenie na náradí o nároku na predĺženie záručnej doby je zreteľne uvedené v obchodoch a/alebo na obale a je uvedené v dokumentácii k výrobku. Koncový používateľ musí zaregistrovať svoje novozískané náradie on-line do 30 dní odo dňa nákupu. Koncový používateľ sa môže zaregistrovať na predĺženie záruky v krajine svojho bydliska, ak je v on-line registračnom formulári uvedená táto možnosť. Ďalej musia koncoví používatelia ešte dať svoj súhlas k uchovávaní údajov, ktoré je potrebné zadať on-line a musia súhlasiť s podmienkami. Potvrdenie o prijatí registrácie, ktorá je zaslaná e-mailom a originál faktúry, v ktorej je uvedený dátum nákupu, slúžia ako dôkaz o predĺženej záruke.
- Záruka sa vzťahuje na všetky poruchy výrobku v záručnej dobe, spôsobené chybami materiálů alebo spracovaním k dátumu nákupu. Táto záruka je omezená na opravu a/alebo výmenu a nezahtáva ďalšie povinnosti, vrátane, okrem iných, náhodné alebo následné škody. Táto záruka je neplatná, ak bol výrobok nesprávne používaný, bol používaný v rozpore s návodom na použitie alebo bol nesprávne zapojený. Táto záruka sa nevzťahuje na:
 - akékoľvek poškodenie výrobku, ktoré bolo spôsobené nesprávnou obsluhou
 - akýkoľvek výrobok, ktorý bol zmenený alebo upravený
 - akýkoľvek výrobok, na ktorom bolo poškodené, upravené alebo odstránené identifikačné označenie (ochranná známka, výrobné číslo)
 - akékoľvek škody, spôsobené nedodržaním návodu na obsluhu
 - akýkoľvek výrobok, ktorý neobsahuje označenie CE
 - akýkoľvek výrobok, ktorý sa pokúšal opraviť ne kvalifikovaný odborník alebo bol opravovaný bez predchádzajúceho súhlasu zo strany spoločnosti Techtronic Industries.
 - akýkoľvek výrobok, pripojený k nesprávnemu napájaciemu zdroju (ampéry, napätie, frekvencia)
 - akýkoľvek výrobok, používaný s nesprávnou palivovou zmesou (palivo, olej, percento oleja)
 - akékoľvek poškodenia, spôsobené vonkajšími vplyvmi (chemickými, fyzikálnymi, nárazmi) alebo cudzorodými látkami
 - bežné opotrebovanie náhradných dielov
 - nehodné použitie, preťažovanie nástroja
 - používanie neschváleného príslušenstva a dielov
 - Akékoľvek pravidelné úpravy alebo čistenie karburátorov, vykonávaných vrámi údržby
 - Súčiastky (diely a príslušenstvo), ktoré podliehajú prirodzenému opotrebeniu, okrem iných, otočné gombíky, hnače remene, spojka, nože na nožnice na živý plot alebo kosačky na trávu, popruhy, lanko škrtiacej klapky, uhľiky, napájací kábel, radičky, pistené podložky, závesné kince, lopatky fúkačov, trubice vysávača a fúkača, vak do vysávača a popruhy, vodiace lišty, reťazové pily, hadice, spojovacie armatúry, trysky, kolesá, striekacie rúrky, vnútorné cievky, vonkajšie cievky, žacie lanká, zapalovacie sviečky, vzduchové filtre, benzínové filtre, mulčovacie nože atď.
- Na opravu musí byť výrobok odoslaný alebo doručený do autorizovaného servisného strediska RYOBI, uvedeného pre každú krajinu v nasledovnom zozname adries servisných stredísk. V niektorých krajinách miestny zástupca RYOBI preberá na seba záväzok zaslať tovar do servisnej organizácii RYOBI. Pri odosielaní výrobku do servisného strediska RYOBI je potrebné výrobok bezpečne zabaliť bez akéhokoľvek nebezpečného obsahu, ako je benzín, s vyznačením adresy odosiadateľa, s krátkym popisom poruchy.
- Oprava/výmena je vrámi tejto záruky bezplatná. Neznamená to predĺženie záruky alebo spustenie novej záručnej doby. Vymenené diely alebo nástroje sa stávajú našim vlastníctvom. V niektorých krajinách náklady na odoslanie alebo poštné musí zaplatiť odosiadateľ. Vaše zákonné práva, vyplývajúce z nákupu náradia, zostávajú nedotknuté
- Táto záruka platí v Európskej únii, Švajčiarsku, Islande, Nórsku, Lihtenštajnsku, Turesku a Rusku. Ak sa nachádzate mimo týchto oblastí, obráťte sa na autorizovaného predajcu RYOBI na určenie, či sa dá uplatniť iná záruka.

AUTORIZOVANÉ SERVISNÉ CENTRUM

Ak chcete nájsť najbližšie autorizované servisné centrum, navštívte stránku <http://uk.ryobitools.eu/header/service-and-support/service-agents>.

BG УСЛОВИЯ ЗА ВАЛИДНОСТ НА ГАРАНЦИЯТА НА RYOBI®

В допълнение към законоустановените права, произтичащи от покупката, този продукт е обхванат от гаранция, както е описано по-долу.

- Гаранционният срок е 24 месеца за клиенти и започва да тече от деня на закупуване на продукта. Тази дата трябва да се докаже с фактура или друго доказателство за покупка. Продуктът е изработен и предназначен само за потребителска и лична употреба. Следователно не се дава гаранция в случай на използване от професионалисти или с търговска цел.
- Съществува възможност за удължаване на гаранционния срок за част от диалогана на гаранцията на градински инструменти (AC/DC) след изтичането на описания тук чрез регистрация на уеб сайта www.ryobitools.eu. В магазините и/или на опаковката или вътре в документацията на продукта е показано ясно дали инструментът отговаря на условията за такова удължаване на гаранционния срок. Крайният потребител трябва да регистрира своите новопридобити инструменти онлайн в рамките на 30 дни от датата на покупка. Крайният потребител може да се регистрира за удължена гаранция в държавата си на пребиваване, ако е посочена във формуляра за онлайн регистрация като място, където тази опция е валидна. Освен това крайните потребители трябва да дадат съгласието си за съхранение на данните, които са задължителни за попълване онлайн, и трябва да приемат общите условия. Полученото потвърждение за регистрация, изпратено по електронна поща, и оригиналната фактура, показваща датата на покупка, ще служат като доказателство за удължената гаранция.
- Гаранцията покрива всички дефекти на продукта по време на гаранционния срок, които се дължат на проблеми в изработката или материалите към момента на покупката. Гаранцията е ограничена до ремонт и/или замяна и не включва други задължения, включително, но не само, случайни или косвени щети. Гаранцията е невалидна, ако продуктът е използван неправилно или в противоречие с ръководството с инструкции, както и ако е свързан неправилно. Тази гаранция не важи за:
 - щети по продукта в резултат на неправилна профилактика
 - продукти, които са били изменени или модифицирани
 - продукт, при който оригиналните маркировки за идентификация (търговска марка, сериен номер) са изтрити, променени или премахнати
 - повреда, причинена от неспазване на ръководството с инструкции
 - продукт без CE маркировка
 - продукт, за който е направен опит за ремонт от неквалифициран специалист или без предварително разрешение от Techtronic Industries.
 - продукт, свързан към неподходящо електрохранване (ампераж, волтаж, честота)
 - продукт, използван с неподходяща горивна смес (гориво, масло, процент масло)
 - щети, причинени от външни влияния (химични, физични, удари) или чужди вещества
 - нормално износване на резервни части
 - неподходяща употреба, претоварване на инструмента
 - използване на неодобрен аксесоари или частиВсякакви периодични настройки или почистване с цел извършване на поддръжка на карбуратори
 - Компоненти (части и аксесоари), подложени на естествено износване, включително, но не само, копчета за тласкане, задвижващи ремъци, съединители, остриета на ножици за жив плет или косачки за трева, пресрама, кабелен дросел, карбонови четки, ذخаранващ кабел, остриета, филцови шабви, осигурителни шифтове, вентилатори на уреди за обдухване, тръби за обдухване и всмукване, торба за отпадъци и ремъци, водещи шини, вериги за триони, маркучи, фитинги на конектори, дюзи, колепа, пръскалки, вътрешни и външни макири, режещо влакно, запалителни свещи, въздушни филтри, горивни филтри, остриета за мулчиране и др.
- За обслужване продуктът трябва да се изпрати или занесе на оторизиран сервиз на RYOBI, посочен за всяка държава в следния списък с адреси на сервизи. В някои държави местният търговец на RYOBI поема отговорността да изпрати продукта до сервизен център на RYOBI. При изпращане на продукт до сервиз на RYOBI той трябва да е опакован безопасно без опасност съдържание, напр. бензин, да е маркиран с адреса на подателя и придружен от кратко описание на повредата.
- Ремонтът/замяната по силата на тази гаранция са безплатни. Те не водят до удължаване или подновяване на гаранционния срок. Сменените части или инструменти стават наша собственост. В някои държави таксите за доставка или изпращане трябва да се платят от подателя. Законоустановените ви права, произтичащи от закупуването на инструмента, остават незасегнати
- Тази гаранция е валидна в Европейската общност, Швейцария, Исландия, Норвегия, Лихтенщайн, Турция и Русия. Извън тези области се свържете с упълномощения търговец на RYOBI, за да се установи дали е приложима друга гаранция.

УПЪЛНОМОЩЕН СЕРВИЗЕН ЦЕНТЪР

За да намерите упълномощен сервизен център близо до вас, посетете <http://uk.ryobitools.eu/header/service-and-support/service-agents>.

UK ГАРАНТИЙНИ УМОВИ ДЛЯ RYOBI®

Окрім загалом установлених законом прав, що стосуються покупки, цей пристрій покривається гарантією, що зазначено нижче.

- Гарантійний період для споживачів складає 24 місяці і починається з моменту придбання цього пристрою. Ця дата повинна бути задокументована у гарантійному талоні або чеку, що підтверджує покупку. Цей пристрій був розроблений і призначений тільки для споживчого та приватного використання. У разі професійного або комерційного використання цього пристрою, він втрачає гарантію.
 - Існує можливість продовжити гарантійний період, понад період описаний вище, для частини лінійки садових інструментів (перемінного/ постійного струму) за допомогою реєстрації на сайті www.ryobitools.eu. Пристрої, які мають право на подовження гарантійного періоду, мають чіткі позначки щодо цього в магазинах і / або на упаковці / та документаші до пристрою. Кінцевий користувач повинен зареєструвати його/її новопридбаний пристрій онлайн протягом 30 днів з дати покупки. Кінцевий користувач може зареєструватися для подовження гарантійного періоду в своїй країні постійного перебування, якщо вона є доступною у відповідній опції онлайн форми реєстрації. Крім того, кінцеві користувачі повинні дати свою згоду на зберігання даних, які необхідні для введення онлайн, а також вони повинні прийняти правила та умови. Отримання підтвердження реєстрації, яке відправляється на адресу електронної пошти, та оригінал гарантійного талона із зазначеною датою покупки буде слугувати доказом подовженої гарантії.
 - Гарантія поширюється на всі дефекти пристрою протягом гарантійного терміну щодо недотримання стандартів виробництва або матеріалів на дату придбання. Гарантія обмежується ремонтом та/або заміною, та не включає в себе будь-яких інших зобов'язань, в тому числі, але необмежена у разі випадкових та подальших пошкоджень. Гарантія не діє, якщо пристрій використовувався неналежним чином, всупереч інструкції з експлуатації або був неправильно підключений до мережі. Дана гарантія не поширюється на:
 - пристрої, що були пошкоджені у результаті неправильного технічного обслуговування;
 - пристрої, що були видозмінені або модифіковані;
 - пристрої, оригінальні ідентифікаційне (товарний знак, серійний номер) маркування яких було пошкоджене, змінене або видалено;
 - будь-які пошкодження, заподіяні недотриманням інструкції з експлуатації;
 - пристрої, що не мають маркування CE;
 - пристрої, що були відремонтовані некваліфікованим фахівцем або за відсутності попереднього дозволу від Techtronic Industries;
 - пристрої, підключені до невідповідного джерела живлення (сила току, напруження, частота);
 - пристрої, що використовувались із невідповідною паливною сумішшю (паливом, оливою, відсотковою часткою оливи);
 - будь-які пошкодження спричинені зовнішнім впливом (хімічними, фізичним, стрибком напруги) або сторонніми речовинами;
 - нормальну амортизацію запасних частин;
 - невідповідне використання, перевантаження пристрою;
 - використання непідтверджених запасних частин або аксесуарів;
 - Будь-які періодичні коригування або технічне очищення карбураторівКомпоненти (частини та аксесоари) з урахуванням нормального зношування, враховуючи але без обмеження на імпульсні кнопки, ремені приводу, зчеплення, леза कुщоріза або газонокосарки, ремені, троси дротельного клапану, вугільні щітки, шнурки живлення, зубці, фетрові підкладки, зчіпні штирі, вентилятори повітродувки, трубки пилососа та повітродувки, вакуумні мішки та накладки, напрямні, панчоги, гнучкі шланги, з'єднувальні фітинги, розпилювальні насадки, колеса, жорсткі сола, внутрішні катушки, зовнішні золотники, ріжучу волосінку, свічки запалення, повітряні фільтри, протигазові фільтри, мультувальні леза, т.д.
4. Для обслуговування, пристрій має бути відправлений або поданий до одного з авторизованих сервісних центрів RYOBI, які перелічені для кожної країни у наступному переліку адрес сервісних центрів. У деяких країнах місцевий дилер RYOBI зобов'язується відправити пристрій до сервісного центру RYOBI. При відправленні пристрою до сервісного центру RYOBI, пристрій має бути надійно упакуваний для будь-якого безбезпечного вмісту, наприклад бензину, з позначеною адресою відправника та супроводжується коротким описом несправності.
5. Ремонт / заміна відповідно до цієї гарантії здійснюється безкоштовно. Це не є основою для подовження або початку нового гарантійного періоду. Замінені частини або прилади переходять до власності компанії. У деяких країнах вартість доставки або поштові витрати повинні бути сплачені відправником. Загально встановлені права покупця на пристрій залишаються незмінними
6. Ця гарантія діє в Європейському Союзі, Швейцарії, Ісландії, Норвегії, Лихтенштейні, Туреччині та Росії. За межами цих зон, будь ласка, зверніться до офіційного дилера RYOBI, щоб визначити, чи застосовується інша гарантія.

АВТОРИЗОВАНІ СЕРВІСНІ ЦЕНТРИ

Для отримання оновленого переліку авторизованих сервісних центрів, відвідайте <http://uk.ryobitools.eu/header/service-and-support/service-agents>.

TR RYOBI® GARANTİ UYGULAMA KOŞULLARI

Alımdan kaynaklanan yasal haklara ek olarak, ürün aşağıda belirtilen garanti kapsamındadır.

1. Tüketiciler için 24 ay olan garanti süresi, ürünün satın alındığı tarihte başlar. Bu tarihin bir fatura ya da alım kantıtyla belgelenmesi gerekir. Ürün sadece tüketim ve özel kullanım için geliştirilmiş ve adanmıştır. Bu nedenle, profesyonel ya da ticari kullanım halinde garanti kapsamı sağlanmaz.
2. Bahçe aletlerinin bir bölümü (AC/DC) için www.ryobitools.eu sayfasındaki kayıt işlemini kullanarak garantinin belirtilen süresinin ötesine uzatma imkanı mevcuttur. Aletlerin garanti süresinin uzatılmasına uygun olup olmadığı mağazalarda ve / veya ambalajda açıkça belirtilmiş olup, ürün dokümantasyonunda gösterilir. Son kullanıcının yeni aldığı aletleri satın alma tarihini izleyen 30 gün içinde kaydettirmesi gerekir. Son kullanıcı ikamet ettiği ülkede, bu seçeneğin geçerli olduğu çevrimiçi kayıt formunda belirtilmişse, uzatılmış garanti süresi için kayıt yaptırabilir. Dahası, son kullanıcıların çevrimiçi giriş için gerekli verilerin kaydedilmesine izin vermemi ve hüküm ve koşulları kabul etmelidir. E-posta ile gönderilen kayıt teyit makbuzu ve alım tarihini gösteren orijinal fatura uzatılmış garantinin kanıtı olarak değerlendirilir.
3. Garanti, ürünün alım tarihindeki işçilik ve malzeme kusurları nedeniyle garanti süresi içinde oluşacak bütün arızalarını kapsar. Bu garanti onarım ve değiştirmeyle sınırlı olup, tesadüfi ya da dolaylı hasarlar da dahil, ancak bunlarla kısıtlı olmayan başka hiçbir taahhüdü kapsamaz. Garanti, ürünün kötü, kullanıcı kılavuzuna aykırı kullanılmış ya da yanlış bağlanmış olması halinde geçerli değildir. Bu garanti aşağıdakileri kapsamaz:
 - ürende, yanlış bakımdan kaynaklanan herhangi bir hasar
 - değiştirilmiş ya da modifiye edilmiş herhangi bir ürün
 - orijinal tanıtmış işaretleri (ticari marka, seri numarası) silinmiş, değiştirilmiş ya da kaldırılmış herhangi bir ürün
 - kullanma kılavuzuna uymamaktan kaynaklanmış herhangi bir hasar
 - herhangi bir AT dışı ürün
 - kalifiye olmamış personel tarafından ya da önceden Techtronic Industries onayı alınmadan onarılmış herhangi bir ürün.
 - uygunsuz güç kaynağına (amper, voltaj, frekans) bağlanmış herhangi bir ürün
 - uygunsuz bir yakıt karışımıyla (yakıt, yağ, yap yüzdesi) kullanılmış herhangi bir ürün
 - harici etkenlerden (kimyasal, fiziksel, darbe) veya yabancı cisimlerden kaynaklanan her türlü hasar
 - normal aşınır ve yıpranır aksam
 - uygunsuz kullanım, aletin aşırı yüklenmesi
 - onaysız aksesuar veya parça kullanımı
 - Karbüratörlere uygulanacak her türlü periyodik ayar, bakım veya temizlik
 - Darbe Düğmeleri, Tahrik Kayışları, Kavrama, Çit Budama ya da Çim Bıçma Makinelerinin Bıçakları, Kayış Koşumlar, Kablo Gaz, Kömür Fırçalar, Güç Kablo, Dişler, Keçe Rondelalar, Bağlantı Pimleri, Üfleyci Pervaneleri, Üfleyci ve Vakum Boruları, Vakum Torbası ve Kayışları, Kılavuz Çubuklar, Zincir Testere, Hortumlar, Konektör bağlantıları, Püskürtme Memeleri, Çarklar, Püskürtme Çubukları, Dahili Makaralar, Harici Makaralar, Kesme Telleri, Bujiler, Hava Filtreleri, Gaz Filtreleri, Malçlama Bıçakları vb. gibi parçaları kapsayan, ancak bunlarla sınırlı olmayan, aşınma ve yıpranmaya tabi bileşenler (aksam ve aksesuarlar).
4. Ürünün servis için her ülkede aşağıdaki servis istasyonları adres listesinde yer alan yetkili bir RYOBI servis istasyonuna gönderilmesi ya götürülmesi gereklidir. Bazı ülkelerde, yerel RYOBI distribütörünüz ürünü RYOBI servis teşkilatına göndermeyi üstlenir. Bir ürün bir RYOBI servis istasyonuna gönderilirken, ürünün güvenli bir biçimde ambalajlanması, benzin gibi tehlikeli maddeler içermemesi, gönderenin adresini taşıması ve anızanın kısa bir açıklamasını içermesi gerekir.
5. Bu garanti kapsamında yapılacak onarım / değişiklik ücretsizdir. Garanti süresinin uzatılması ya da yeniden başlatılması anlamına gelmez. Değiştirilmiş parçalar veya aletler bize ait olur. Bazı ülkelerde teslim ücretleri veya posta giderlerinin gönderici tarafından ödenmesi gerekir. Alımdan kaynaklanan yasal haklarınız etkilenmez.
6. Bu Garanti Avrupa Topluluğu, İsviçre, İzlanda, Norveç, Liechtenstein, Türkiye ve Rusya'da geçerlidir. Bu alanların dışında, başka bir garantinin geçerli olup olmadığını belirlemek için lütfen yetkili RYOBI distribütörünüzle irtibata geçin.

YETKİLİ SERVİS MERKEZİ

En yakın yetkili servis merkezini öğrenmek için <http://uk.ryobitools.eu/header/service-and-support/service-agents> sitesine girin.

EN DECLARATION OF CONFORMITY

Techtronic Industries GmbH
Max-Eyth-Straße 10, 71364 Winnenden, Germany

Herewith we declare that the product

Cordless Line Trimmer
Brand: RYOBI
Model number: RY36LT33A
Serial number range:
RY36LT33A: 47519401000001 - 47519401999999

is in conformity with the following European Directives and harmonised standards
2006/42/EC, 2014/30/EU, 2000/14/EC, 2011/65/EU, EN 60335-1:2012+A11+A13,
EN 50636-2-91:2014, EN 62233:2008, EN 55014-1:2017, EN 55014-2:2015

Measured sound power level: 90,5 dB(A)
Guaranteed sound power level: 92 dB(A)

Conformity assessment method to Annex VI Directive 2000/14/EC amended by
2005/88/EC.

The notified body involved:
No.0197 – TÜV Rheinland LGA Products GmbH Tillystraße 2 - 90431 Nürnberg
– Germany

Todd Chipner
Sr. Director, CPT Quality and Asia Regulatory & Safety
Winnenden, Jan. 10, 2020

Authorised to compile the technical file:
Alexander Krug, Managing Director
Techtronic Industries GmbH
Max-Eyth-Straße 10, 71364 Winnenden, Germany

CE

DE KONFORMITÄTSERKLÄRUNG

Techtronic Industries GmbH
Max-Eyth-Straße 10, 71364 Winnenden, Germany

Hiermit erklären wir, dass die Produkte

Akku-Rasentrimmer
Marke: RYOBI
Modellnummer: RY36LT33A
Seriennummernbereich:
RY36LT33A: 47519401000001 - 47519401999999

mit den folgenden europäischen Richtlinien und harmonisierten Normen
übereinstimmt

2006/42/EC, 2014/30/EU, 2000/14/EC, 2011/65/EU, EN 60335-1:2012+A11+A13,
EN 50636-2-91:2014, EN 62233:2008, EN 55014-1:2017, EN 55014-2:2015

Gemessener Schallleistungspegel: 90,5 dB(A)
Garantierter Schallleistungspegel: 92 dB(A)

Konformitätsbeurteilungsmethode zu Anhang VI Richtlinie 2000/14/EC wie durch
2005/88/EC.

Benannte Stelle:
No.0197 – TÜV Rheinland LGA Products GmbH Tillystraße 2 - 90431 Nürnberg
– Germany

Todd Chipner
Sr. Director, Qualität CPT und Regulierung und Sicherheit in Asien
Winnenden, Jan. 10, 2020

Autorisiert die technische Datei zu erstellen:
Alexander Krug, Geschäftsführer
Techtronic Industries GmbH
Max-Eyth-Straße 10, 71364 Winnenden, Germany

CE

FR DÉCLARATION DE CONFORMITÉ

Techtronic Industries GmbH
Max-Eyth-Straße 10, 71364 Winnenden, Germany

Déclarons par la présente que le produit

Coupe-bordures sans fil
Marque: RYOBI
Numéro de modèle: RY36LT33A
Étendue des numéros de série:
RY36LT33A: 47519401000001 - 47519401999999

est conforme aux Directives Européennes et Normes Harmonisées suivantes
2006/42/EC, 2014/30/EU, 2000/14/EC, 2011/65/EU, EN 60335-1:2012+A11+A13,
EN 50636-2-91:2014, EN 62233:2008, EN 55014-1:2017, EN 55014-2:2015

Niveau de puissance sonore mesuré: 90,5 dB(A)
Niveau de puissance sonore garanti: 92 dB(A)

Méthode d'évaluation de conformité de l'annexe VI Directive 2000/14/EC modifiée
2005/88/EC.

L'organisme notifié titulaire:
No.0197 – TÜV Rheinland LGA Products GmbH Tillystraße 2 - 90431 Nürnberg
– Germany

Todd Chipner
Directeur principal, Qualité CPT et Réglementation/Sécurité pour la région Asie
Winnenden, Jan. 10, 2020

Autorisé à rédiger le dossier technique:
Alexander Krug, Directeur Général
Techtronic Industries GmbH
Max-Eyth-Straße 10, 71364 Winnenden, Germany

CE

ES DECLARACIÓN DE CONFORMIDAD

Techtronic Industries GmbH
Max-Eyth-Straße 10, 71364 Winnenden, Germany

Por la presente declaramos que los productos

Cofasetos inalámbrico
Marca: RYOBI
Número de modelo: RY36LT33A
Intervalo del número de serie:
RY36LT33A: 47519401000001 - 47519401999999

se encuentra en conformidad con las siguientes Directivas Europeas y normas
armonizadas

2006/42/EC, 2014/30/EU, 2000/14/EC, 2011/65/EU, EN 60335-1:2012+A11+A13,
EN 50636-2-91:2014, EN 62233:2008, EN 55014-1:2017, EN 55014-2:2015

Nivel de potencia acústica medido: 90,5 dB(A)
Nivel de potencia acústica garantizado: 92 dB(A)

Método de evaluación de conformidad con el anexo VI Directiva 2000/14/EC
modificada por la 2005/88/EC.

El organismo notificado implicado:
No.0197 – TÜV Rheinland LGA Products GmbH Tillystraße 2 - 90431 Nürnberg
– Germany

Todd Chipner
Director principal, Calidad CPT y Normas y Seguridad para Asia
Winnenden, Jan. 10, 2020

Autorizado para elaborar la ficha técnica:
Alexander Krug, Administrador Ejecutivo
Techtronic Industries GmbH
Max-Eyth-Straße 10, 71364 Winnenden, Germany

CE

IT DICHIARAZIONE DI CONFORMITÀ

Techtronic Industries GmbH
Max-Eyth-Straße 10, 71364 Winnenden, Germany

Si dichiara con la presente che il prodotto

Tagliabordi a batterie
Marca: RYOBI
Numero modello: RY36LT33A
Gamma numero seriale:
RY36LT33A: 47519401000001 - 47519401999999

è conforme alle seguenti Direttive Europee e ai seguenti standard armonizzati
2006/42/EC, 2014/30/EU, 2000/14/EC, 2011/65/EU, EN 60335-1:2012+A11+A13,
EN 50636-2-91:2014, EN 62233:2008, EN 55014-1:2017, EN 55014-2:2015

Livello di potenza acustica misurato: 90,5 dB(A)
Livello di potenza sonora garantita: 92 dB(A)

Metodo di valutazione sulla conformità all'allegato VI Direttiva 2000/14/EC
modificata con la 2005/88/EC.

Ente notificato responsabile:
No.0197 – TÜV Rheinland LGA Products GmbH Tillystraße 2 - 90431 Nürnberg
– Germany

Todd Chipner
Sig. Direttore, qualità CPT e sicurezza e normativa per l'Asia
Winnenden, Jan. 10, 2020

Autorizzato per compilare il file tecnico:
Alexander Krug, Direttore Amministrativo
Techtronic Industries GmbH
Max-Eyth-Straße 10, 71364 Winnenden, Germany

PT DECLARAÇÃO DE CONFORMIDADE

Techtronic Industries GmbH
Max-Eyth-Straße 10, 71364 Winnenden, Germany

Pelo presente declaramos que os produtos

Recortador de relvado eléctrico recarregável
Marca: RYOBI
Número do modelo: RY36LT33A
Intervalo do número de série:
RY36LT33A: 47519401000001 - 47519401999999

se encontra em conformidade com as seguintes Directivas Europeias e normas
harmozizadas
2006/42/EC, 2014/30/EU, 2000/14/EC, 2011/65/EU, EN 60335-1:2012+A11+A13,
EN 50636-2-91:2014, EN 62233:2008, EN 55014-1:2017, EN 55014-2:2015

Nível de potência sonora medido: 90,5 dB(A)
Nível de potência sonora garantido: 92 dB(A)

Método de avaliação de conformidade para o anexo VI Directiva 2000/14/EC
alterada por 2005/88/EC.

O organismo notificado envolvido:
No.0197 – TÜV Rheinland LGA Products GmbH Tillystraße 2 - 90431 Nürnberg
– Germany

Todd Chipner
Diretor Sénior, Qualidade CPT e Assuntos Regulamentares e de Segurança da Ásia
Winnenden, Jan. 10, 2020

Autorizado para compilar o ficheiro técnico:
Alexander Krug, Administrador Executivo
Techtronic Industries GmbH
Max-Eyth-Straße 10, 71364 Winnenden, Germany

NL CONFORMITEITSVERKLARING

Techtronic Industries GmbH
Max-Eyth-Straße 10, 71364 Winnenden, Germany

Hierbij verklaren wij dat het product

Snoerloze gazontrimmer
Merk: RYOBI
Modelnummer: RY36LT33A
Serienummerbereik:
RY36LT33A: 47519401000001 - 47519401999999

is in overeenstemming met de volgende Europese Richtlijnen en geharmoniseerde
normen
2006/42/EC, 2014/30/EU, 2000/14/EC, 2011/65/EU, EN 60335-1:2012+A11+A13,
EN 50636-2-91:2014, EN 62233:2008, EN 55014-1:2017, EN 55014-2:2015

Gemeten geluidsniveau: 90,5 dB(A)
Gegarandeerd geluidsniveau: 92 dB(A)

Evaluatiemethode conformiteit volgens bijlage VI Richtlijn 2000/14/EC gewijzigd
door 2005/88/EC.

Betrokken aangemelde keuringsinstantie:
No.0197 – TÜV Rheinland LGA Products GmbH Tillystraße 2 - 90431 Nürnberg
– Germany

Todd Chipner
Sr. Directeur, CPT Kwaliteit en Azië Regelgeving en veiligheid
Winnenden, Jan. 10, 2020

Afgevaardigde voor het samenstellen van de technische fiche:
Alexander Krug, Directeur
Techtronic Industries GmbH
Max-Eyth-Straße 10, 71364 Winnenden, Germany

DA OVERENSSTEMMELSESERKLÆRING

Techtronic Industries GmbH
Max-Eyth-Straße 10, 71364 Winnenden, Germany

Vi erklærer hermed, at produktet

Trådløse plænetrimmer
Brand: RYOBI
Modelnummer: RY36LT33A
Serienummerområde:
RY36LT33A: 47519401000001 - 47519401999999

er i overensstemmelse med følgende EU-direktiver og harmoniserede standarder
2006/42/EC, 2014/30/EU, 2000/14/EC, 2011/65/EU, EN 60335-1:2012+A11+A13,
EN 50636-2-91:2014, EN 62233:2008, EN 55014-1:2017, EN 55014-2:2015

Målt støjniveau: 90,5 dB(A)
Garanteret støjniveau: 92 dB(A)

Overensstemmelsesvurderingsmetode til bilag VI Direktiv 2000/14/EC ændret ved
2005/88/EC.

Den relevante godkendelsesinstans:

Den relevante godkendelsesinstans:
No.0197 – TÜV Rheinland LGA Products GmbH Tillystraße 2 - 90431 Nürnberg
– Germany

Todd Chipner
Hr. Direktør, CPT Quality and Asia Regulatory & Safety
Winnenden, Jan. 10, 2020

Bemyndiget til at udarbejde det tekniske kartotek:
Alexander Krug, Administrerende Direktør
Techtronic Industries GmbH
Max-Eyth-Straße 10, 71364 Winnenden, Germany

SV KONFORMITETSDEKLARATION

Techtronic Industries GmbH
Max-Eyth-Straße 10, 71364 Winnenden, Germany

Härmed deklarerar vi att produkterna

Sladdlösa grässtrimmer
Märke: RYOBI
Modellnummer: RY36LT33A
Serienummerintervall:
RY36LT33A: 47519401000001 - 47519401999999

är i enlighet med följande EU-direktiv och harmoniserade standarder
2006/42/EC, 2014/30/EU, 2000/14/EC, 2011/65/EU, EN 60335-1:2012+A11+A13,
EN 50636-2-91:2014, EN 62233:2008, EN 55014-1:2017, EN 55014-2:2015

Uppmätt ljudeffektnivå: 90,5 dB(A)
Garanterad ljudeffektnivå: 92 dB(A)

Konformitetsbedömning gjord enligt metod i VI Direktiv 2000/14/EC samt tilläggen
i 2005/88/EC.

Meddelandet gäller:
No.0197 – TÜV Rheinland LGA Products GmbH Tillystraße 2 - 90431 Nürnberg
– Germany

Todd Chipner
Teknisk chef, CPT-kvalitet samt regelverk och säkerhet för Asien
Winnenden, Jan. 10, 2020

Godkänd att sammanställa den tekniska filen:
Alexander Krug, VD
Techtronic Industries GmbH
Max-Eyth-Straße 10, 71364 Winnenden, Germany

NO SAMSVARSEKLERING

Techtronic Industries GmbH
Max-Eyth-Straße 10, 71364 Winnenden, Germany

Herved erklærer vi at produktet

Trådløse græsstrimmeren
Märke: RYOBI
Modellnummer: RY36LT33A
Serienummerserie:
RY36LT33A: 47519401000001 - 47519401999999

er i samsvar med følgende europeiske direktiver og harmoniserede standarder
2006/42/EC, 2014/30/EU, 2000/14/EC, 2011/65/EU, EN 60335-1:2012+A11+A13,
EN 50636-2-91:2014, EN 62233:2008, EN 55014-1:2017, EN 55014-2:2015

Målt lydeffektnivå: 90,5 dB(A)
Garanteret lydeffektnivå: 92 dB(A)

Metode for vurdering af konformitet til Tillegg VI Direktiv 2000/14/EC endret ved
2005/88/EC.

Involvert meddelelsesorgan:
No.0197 – TÜV Rheinland LGA Products GmbH Tillystraße 2 - 90431 Nürnberg
– Germany

Todd Chipner
Sr. direktør, CPT kvalitet, samt juridisk og sikkerhet for Asia
Winnenden, Jan. 10, 2020

Autorisert til å sette sammen den tekniske filen:
Alexander Krug, Administrerende Direktør
Techtronic Industries GmbH
Max-Eyth-Straße 10, 71364 Winnenden, Germany

FI SÄÄNNÖSTEN NOUDATTAMINEN

Techtronic Industries GmbH
Max-Eyth-Straße 10, 71364 Winnenden, Germany

Ilmoitamme täten, että tuotteet

Akkukäyttöistä ruohotrimmerimerkki
Tuotemerkki: RYOBI
Mallinumero: RY36LT33A
Sarjanumeroalue:
RY36LT33A: 47519401000001 - 47519401999999

noudattaa seuraavia EU-direktiivejä ja harmonoituja standardeja
2006/42/EC, 2014/30/EU, 2000/14/EC, 2011/65/EU, EN 60335-1:2012+A11+A13,
EN 50636-2-91:2014, EN 62233:2008, EN 55014-1:2017, EN 55014-2:2015

Mitattu äänenteho: 90,5 dB(A)
Taattu ääniteho: 92 dB(A)

Säännösten noudattaminen tarkastettu direktiivin 2000/14/EC liitteen VI mukaisesti
muunnettu direktiivillä 2005/88/EC.

Ilmoituselin:
No.0197 – TÜV Rheinland LGA Products GmbH Tillystraße 2 - 90431 Nürnberg
– Germany

Todd Chipner
Vanhempi, CPT-toimitusten laadusta ja Aasian alueen sääntelystä ja turvallisuudesta
vastaava johtaja
Winnenden, Jan. 10, 2020

Valtuutettu kokoamaan tekninen tiedosto:
Alexander Krug, Toimitusjohtaja
Techtronic Industries GmbH
Max-Eyth-Straße 10, 71364 Winnenden, Germany

RU ЗАЯВЛЕНИЕ О СООТВЕТСТВИИ ТРЕБОВАНИЯМ

Techtronic Industries GmbH
Max-Eyth-Straße 10, 71364 Winnenden, Germany

Настоящим мы заявляем, что данный продукт

Беспроводного триммер
Марка: RYOBI
Номер модели: RY36LT33A
Диапазон заводских номеров:
RY36LT33A: 47519401000001 - 47519401999999

соответствует требованиям следующих Директив ЕС и согласованных
стандартов
2006/42/EC, 2014/30/EU, 2000/14/EC, 2011/65/EU, EN 60335-1:2012+A11+A13,
EN 50636-2-91:2014, EN 62233:2008, EN 55014-1:2017, EN 55014-2:2015

Измеренный уровень звуковой мощности: 90,5 dB(A)
Гарантируемый уровень звуковой мощности: 92 dB(A)

Способ оценки соответствия, приложение VI к директиве 2000/14/EC с
изменениями 2005/88/EC.

Уведомляемый участвующий орган:
No.0197 – TÜV Rheinland LGA Products GmbH Tillystraße 2 - 90431 Nürnberg
– Germany

Todd Chipner
Г-н Директор по контролю качества продукции CPT, нормативов и безопасности
в Азиатском регионе
Winnenden, Jan. 10, 2020

Лицо, ответственное за подготовку технической документации:
Alexander Krug, Директор
Techtronic Industries GmbH
Max-Eyth-Straße 10, 71364 Winnenden, Germany

PL DEKLARACJA ZGODNOŚCI

Techtronic Industries GmbH
Max-Eyth-Straße 10, 71364 Winnenden, Germany

Niniejszym deklarujemy, że produkty

Bezprzewodowa przycinarka trawnika
Marka: RYOBI
Numer modelu: RY36LT33A
Zakres numerów seryjnych:
RY36LT33A: 47519401000001 - 47519401999999

jest zgodny z następującymi dyrektywami europejskimi i zharmonizowanymi normami

2006/42/EC, 2014/30/EU, 2000/14/EC, 2011/65/EU,
EN 60335-1:2012+A11+A13, EN 50636-2-91:2014,
EN 62233:2008, EN 55014-1:2017, EN 55014-2:2015

Zmierzony poziom natężenia hałasu: 90,5 dB(A)
Maksymalny poziom natężenia hałasu: 92 dB(A)

Metoda ocena zgodności zgodnie z aneksem VI Dyrektywa 2000/14/EC zmieniona przez dyrektywę 2005/88/EC.

Zaangażowany organ do powiadomienia:

No.0197 – TÜV Rheinland LGA Products GmbH Tillystraße 2 - 90431 Nürnberg – Germany



Todd Chipner
Starszy dyrektor ds. jakości elektronarzędzi konsumenckich oraz przepisów i bezpieczeństwa na Azję
Winnenden, Jan. 10, 2020

Osoba upoważniona do sporządzenia dokumentu technicznego:

Alexander Krug, Dyrektor Zarządzający
Techtronic Industries GmbH
Max-Eyth-Straße 10, 71364 Winnenden, Germany

HU MEGFELELŐSÉGI NYILATKOZAT

Techtronic Industries GmbH
Max-Eyth-Straße 10, 71364 Winnenden, Germany

Ezúton kijelentjük, hogy a termékek

Vezeték nélküli fűkaszát
Márka: RYOBI
Típusszám: RY36LT33A
Sorozatszám tartomány:
RY36LT33A: 47519401000001 - 47519401999999

megfelel az alábbi Európai irányelvek és harmonizált szabványok vonatkozó rendelkezéseinek

2006/42/EC, 2014/30/EU, 2000/14/EC, 2011/65/EU,
EN 60335-1:2012+A11+A13, EN 50636-2-91:2014,
EN 62233:2008, EN 55014-1:2017, EN 55014-2:2015

Mért hangteljesítményszint: 90,5 dB(A)
Garantált hangteljesítményszint: 92 dB(A)

A megfelelési értékelési eljárás a 2000/14/EC irányelv VI. függeléké szerint történt által módosított 2005/88/EC irányelv.

A közreműködő tanúsító testület:

No.0197 – TÜV Rheinland LGA Products GmbH Tillystraße 2 - 90431 Nürnberg – Germany



Todd Chipner
Senior igazgató, CPT minőség, ázsiai szabályozás és biztonság
Winnenden, Jan. 10, 2020

A műszaki dokumentáció összeállítására felhatalmazott:

Alexander Krug, Ügyvezető Igazgató
Techtronic Industries GmbH
Max-Eyth-Straße 10, 71364 Winnenden, Germany

CS PROHLÁŠENÍ O SHODĚ

Techtronic Industries GmbH
Max-Eyth-Straße 10, 71364 Winnenden, Germany

Tímto prohlasujeme, že výrobky

Akumulátorové vyžinač trávniků
Značka: RYOBI
Číslo modelu: RY36LT33A
Rozsah sériových čísel:
RY36LT33A: 47519401000001 - 47519401999999

že tento výrobek je v souladu s evropskými a harmonizovanými standardy

2006/42/EC, 2014/30/EU, 2000/14/EC, 2011/65/EU, EN 60335-1:2012+A11+A13,
EN 50636-2-91:2014, EN 62233:2008, EN 55014-1:2017, EN 55014-2:2015

Změřená hladina akustického výkonu: 90,5 dB(A)
Zaručená hladina akustického výkonu: 92 dB(A)

Soulad s metodou určování pro přílohu VI směrnice 2000/14/EC upravená 2005/88/EC.

Upozorněte patřičný orgán:

No.0197 – TÜV Rheinland LGA Products GmbH Tillystraße 2 - 90431 Nürnberg – Germany



Todd Chipner
Vrchní ředitel, jakost elektrického nářadí (CPT) a předpisy a bezpečnost pro Asii
Winnenden, Jan. 10, 2020

Pověření ke kompilaci technického souboru:

Alexander Krug, Generální Ředitel
Techtronic Industries GmbH
Max-Eyth-Straße 10, 71364 Winnenden, Germany

RO DECLARAȚIE DE CONFORMITATE

Techtronic Industries GmbH
Max-Eyth-Straße 10, 71364 Winnenden, Germany

Prin prezenta, declarăm că produsele

Motocoasa cu acumulator de tuns gazonul
Marca: RYOBI
Număr serie: RY36LT33A
Gamă număr serie:
RY36LT33A: 47519401000001 - 47519401999999

este în conformitate cu următoarele Directive Europene și standarde armonizate
2006/42/EC, 2014/30/EU, 2000/14/EC, 2011/65/EU, EN 60335-1:2012+A11+A13,
EN 50636-2-91:2014, EN 62233:2008, EN 55014-1:2017, EN 55014-2:2015

Nivelul măsurat al puterii acustice: 90,5 dB(A)
Nivel garantat al puterii acustice: 92 dB(A)

Metoda de evaluare a conformității cu Anexa VI Directiva 2000/14/EC modificată prin 2005/88/EC.

Organismul de notificare implicat:

No.0197 – TÜV Rheinland LGA Products GmbH Tillystraße 2 - 90431 Nürnberg – Germany



Todd Chipner
Director Senior, Calitate Unelte Electrice și Siguranță & Reglementare Asia
Winnenden, Jan. 10, 2020

Autorizat să completeze fișa tehnică:

Alexander Krug, Director General
Techtronic Industries GmbH
Max-Eyth-Straße 10, 71364 Winnenden, Germany

LV ATBILSTĪBAS DEKLARĀCIJA

Technronic Industries GmbH
Max-Eyth-Straße 10, 71364 Winnenden, Germany

Ar šo paziņojam, ka produkti

Bezvadu zāles trimmeris
Zīmols: RYOBI
Modeļa numurs: RY36LT33A
Sērijas numura intervāls:
RY36LT33A: 47519401000001 - 47519401999999

atbilst šādām Eiropas direktīvām un saskaņotajiem standartiem

2006/42/EC, 2014/30/EU, 2000/14/EC, 2011/65/EU, EN 60335-1:2012+A11+A13,
EN 50636-2-91:2014, EN 62233:2008, EN 55014-1:2017, EN 55014-2:2015

Izmērītās skaņas jaudas līmenis: 90,5 dB(A)
Garantētais skaņas intensitātes līmenis: 92 dB(A)

Atbilstības novērtēšanas metode pielikumam VI Direktīvai 2000/14/EC labota
2005/88/EC.

Iesaistītā pilnvarotā iestāde:

No.0197 – TÜV Rheinland LGA Products GmbH Tillystraße 2 - 90431 Nürnberg
– Germany

CE

Todd Chipner
Vecākais Direktors, CPT kvalitāte un Āzijas atbilstība un drošība
Winnenden, Jan. 10, 2020

Pilnvarots sastādīt tehnisko failu:
Alexander Krug, Izpilddirektors
Technronic Industries GmbH
Max-Eyth-Straße 10, 71364 Winnenden, Germany

ET VASTAVUSDEKLARATSIOON

Technronic Industries GmbH
Max-Eyth-Straße 10, 71364 Winnenden, Germany

Kinnitame, et see toode

Juhtmeta murutrimmeri
Mark: RYOBI
Mudeli number: RY36LT33A
Seerianumbri vahenik:
RY36LT33A: 47519401000001 - 47519401999999

vastab järgmistele Euroopa direktiividele ja harmoniseeritud standarditele

2006/42/EC, 2014/30/EU, 2000/14/EC, 2011/65/EU, EN 60335-1:2012+A11+A13,
EN 50636-2-91:2014, EN 62233:2008, EN 55014-1:2017, EN 55014-2:2015

Möödetud helivõimsuse tase: 90,5 dB(A)
Garanteeritud helivõimsuse tase: 92 dB(A)

Vastavushindamine vastavalt lisale VI direktiivis 2000/14/EC muudetud direktiiviga
2005/88/EC.

Kontrolliga seotud teavitatud asutus:

No.0197 – TÜV Rheinland LGA Products GmbH Tillystraße 2 - 90431 Nürnberg
– Germany

CE

Todd Chipner
Vanemdirektor, mootortööriistade kvaliteet ning Aasia järelevalve ja ohutus
Winnenden, Jan. 10, 2020

Tehnilise faili koostamiseks volitatud isik:
Alexander Krug, Tegevdirektor
Technronic Industries GmbH
Max-Eyth-Straße 10, 71364 Winnenden, Germany

LT ATITIKTIES DEKLARACIJA

Technronic Industries GmbH
Max-Eyth-Straße 10, 71364 Winnenden, Germany

Mes pareiškiame, kad šie produktai

Belaidė pievelės žoliapjovė
Prekės ženklas: RYOBI
Modelio numeris: RY36LT33A
Serijinio numerio diapazonas:
RY36LT33A: 47519401000001 - 47519401999999

pagaminsis laikantis toliau nurodytųjų Europos Direktyvų ir darniųjų standartų

2006/42/EC, 2014/30/EU, 2000/14/EC, 2011/65/EU, EN 60335-1:2012+A11+A13,
EN 50636-2-91:2014, EN 62233:2008, EN 55014-1:2017, EN 55014-2:2015

Išmatuotas akustinis lygis: 90,5 dB(A)
Garantuotas akustinis lygis: 92 dB(A)

Atitikties įvertinimo metodas pagal direktyvos 2000/14/EC, VI Priedą su pataisomis
2005/88/EC.

Įtraukta notifikuoti įstaiga:

No.0197 – TÜV Rheinland LGA Products GmbH Tillystraße 2 - 90431 Nürnberg
– Germany

CE

Todd Chipner
Vyr. direktorius, BEJ kokybės ir reglamentavimo bei saugos Azijoje skyrius
Winnenden, Jan. 10, 2020

Įgaliotas sudaryti techninį failą:
Alexander Krug, Generalinis Direktorius
Technronic Industries GmbH
Max-Eyth-Straße 10, 71364 Winnenden, Germany

HR IZJAVA O USKLADENOSTI

Technronic Industries GmbH
Max-Eyth-Straße 10, 71364 Winnenden, Germany

Ovime izjavljujemo da su proizvodi

Bežični trimmer za travnjak
Marka: RYOBI
Broj modela: RY36LT33A
Raspon serijskog broja:
RY36LT33A: 47519401000001 - 47519401999999

usklađeni sa sljedećim Europskim Direktivama i usklađenim normama

2006/42/EC, 2014/30/EU, 2000/14/EC, 2011/65/EU, EN 60335-1:2012+A11+A13,
EN 50636-2-91:2014, EN 62233:2008, EN 55014-1:2017, EN 55014-2:2015

Izmjerena razina zvučne snage: 90,5 dB(A)
Jamčena razina zvučne snage: 92 dB(A)

Metoda procjene usklađenosti prema Dodatku VI Direktive 2000/14/EC navedeno
u 2005/88/EC.

Uključena oznaka broja tijela:

No.0197 – TÜV Rheinland LGA Products GmbH Tillystraße 2 - 90431 Nürnberg
– Germany

CE

Todd Chipner
Viši direktor, Odjel za upravljanje kvalitetom CPT alata, regulative i sigurnosti za
područje Azije
Winnenden, Jan. 10, 2020

Ovlašten da sastavi tehničku datoteku:
Alexander Krug, Direktor Upravljanja
Technronic Industries GmbH
Max-Eyth-Straße 10, 71364 Winnenden, Germany

SL IZJAVA O SKLADNOSTI

Techtronic Industries GmbH
Max-Eyth-Straße 10, 71364 Winnenden, Germany

Izjavljamo, da je izdelek

Brezžično kosilnica za travo
Znamka: RYOBI
Številka modela: RY36LT33A
Razpon serijskih števil:
RY36LT33A: 47519401000001 - 47519401999999

v skladu s sledečimi evropskimi direktivami in harmoniziranimi standardi
2006/42/EC, 2014/30/EU, 2000/14/EC, 2011/65/EU, EN 60335-1:2012+A11+A13,
EN 50636-2-91:2014, EN 62233:2008, EN 55014-1:2017, EN 55014-2:2015

Izmerjena raven zvočne moči: 90,5 dB(A)
Zajamčena raven zvočne moči: 92 dB(A)

Način ugotavljanja skladnosti z aneksom VI direktive 2000/14/EC ki je bila spremenjena z 2005/88/EC.

Priglašeni organ:
No.0197 – TÜV Rheinland LGA Products GmbH Tillystraße 2 - 90431 Nürnberg
– Germany



Todd Chipner
Višji direktor, oddelk za kakovost potrošniškega električnega orodja ter regulativo
in varnost za Azijo
Winnenden, Jan. 10, 2020

Pooblaščen oseba za sestavo tehnične dokumentacije:
Alexander Krug, Izvršni Direktor
Techtronic Industries GmbH
Max-Eyth-Straße 10, 71364 Winnenden, Germany

BG ДЕКЛАРАЦИЯ НА ЗА СЪОТВЕТСТВИЕ

Techtronic Industries GmbH
Max-Eyth-Straße 10, 71364 Winnenden, Germany

C настоящето декларираме, че продуктът

Безжичният тример за трева
Марка: RYOBI
Номер на модела: RY36LT33A
Обхват на серийни номера:
RY36LT33A: 47519401000001 - 47519401999999

отговаря на следните директиви на ЕС и хармонизирани стандарти
2006/42/EC, 2014/30/EU, 2000/14/EC, 2011/65/EU, EN 60335-1:2012+A11+A13,
EN 50636-2-91:2014, EN 62233:2008, EN 55014-1:2017, EN 55014-2:2015

Измерено ниво на шум: 90,5 dB(A)
Гарантирано ниво на шум 92 dB(A)

Метод за оценяване на съответствието с приложение VI Директива 2000/14/EC,
изменена от 2005/88/EC.

Отговорен нотифициращ орган:
No.0197 – TÜV Rheinland LGA Products GmbH Tillystraße 2 - 90431 Nürnberg
– Germany



Todd Chipner
Главен директор, Качество на CPT и нормативно съответствие и безопасност
за Азия
Winnenden, Jan. 10, 2020

Упълномощено лице за съставяне на техническия файл:
Alexander Krug, Изпълнителен Директор
Techtronic Industries GmbH
Max-Eyth-Straße 10, 71364 Winnenden, Germany

SK PREHLÁSENIE O ZHODE

Techtronic Industries GmbH
Max-Eyth-Straße 10, 71364 Winnenden, Germany

Týmto vyhlasujeme, že výrobok

Akumulátorový vŕzač na trávu
Značka: RYOBI
Číslo modelu: RY36LT33A
Rozsah sériových čísel:
RY36LT33A: 47519401000001 - 47519401999999

je v súlade s nasledujúcimi Európskymi smernicami a harmonizovanými normami
2006/42/EC, 2014/30/EU, 2000/14/EC, 2011/65/EU, EN 60335-1:2012+A11+A13,
EN 50636-2-91:2014, EN 62233:2008, EN 55014-1:2017, EN 55014-2:2015

Nameraná úroveň hluku: 90,5 dB(A)
Garantovaná úroveň hluku: 92 dB(A)

Spôsob určenia zhody podľa Dodatku VI Smernica 2000/14/EC doplnená o
2005/88/EC.

K ohlasovaným úradom patria:
No.0197 – TÜV Rheinland LGA Products GmbH Tillystraße 2 - 90431 Nürnberg
– Germany



Todd Chipner
vyšší riaditeľ, kvalita spotrebiteľského električného náradia, regulačné záležitosti pre
Áziu a bezpečnosť
Winnenden, Jan. 10, 2020

Oprávnená osoba na zostavenie technického súboru:
Alexander Krug, Generálny Riaditeľ
Techtronic Industries GmbH
Max-Eyth-Straße 10, 71364 Winnenden, Germany

UK ДЕКЛАРАЦИЯ ПРО ВІДПОВІДНІСТЬ

Techtronic Industries GmbH
Max-Eyth-Straße 10, 71364 Winnenden, Germany

При цьому ми заявляємо, що продукт

Бездротовий газонний тример
Марка: RYOBI
Номер моделі: RY36LT33A
Діапазон серійного номеру:
RY36LT33A: 47519401000001 - 47519401999999

*у відповідності з наступними європейськими директивами та
гармонізованими стандартами*
2006/42/EC, 2014/30/EU, 2000/14/EC, 2011/65/EU, EN 60335-1:2012+A11+A13,
EN 50636-2-91:2014, EN 62233:2008, EN 55014-1:2017, EN 55014-2:2015

Вимірний рівень звукової потужності: 90,5 dB(A)
Гарантований рівень звукової потужності: 92 dB(A)

Метод оцінки відповідності Annex VI Directive 2000/14/EC з поправками,
внесеними 2005/88 / EC.

Уповноважений орган бере участь:
No.0197 – TÜV Rheinland LGA Products GmbH Tillystraße 2 - 90431 Nürnberg
– Germany



Todd Chipner
Ген. директор з питань якості CPT, і регулювання охорони праці та техніки
безпеки в Азії
Winnenden, Jan. 10, 2020

Дозвіл на складання технічного файла:
Alexander Krug, керуючий Директор
Techtronic Industries GmbH
Max-Eyth-Straße 10, 71364 Winnenden, Germany

TR UYGUNLUK BEYANI

Techtronic Industries GmbH
Max-Eyth-StraÙe 10, 71364 Winnenden, Germany

İř bu belge ile bu ürünün

Kablosuz Ot Biçme Makinesi
Marka: RYOBI
Model numarası: RY36LT33A
Seri numarası aralığı:
RY36LT33A: 47519401000001 - 47519401999999

*ařağıdaki Avrupa Direktiflerine ve uyulařtırılmıř standartlara uygun olduđunu
beyan ediyorum*

2006/42/EC, 2014/30/EU, 2000/14/EC, 2011/65/EU, EN 60335-1:2012+A11+A13,
EN 50636-2-91:2014, EN 62233:2008, EN 55014-1:2017, EN 55014-2:2015

Ölçülen ses gücü seviyesi: 90,5 dB(A)
Güvenceli ses gücü seviyesi: 92 dB(A)

2005/88/AT ile deđiřtirilen 2000/14/AT Direktifi Ek VI uyarınca uygunluk
deđerlendirmesi yöntemi

İlgili uyarılmıř makam:
No.0197 – TÜV Rheinland LGA Products GmbH TillystraÙe 2 - 90431 Nürnberg
– Germany



CE

Todd Chipner
Kıdemli Direktör, CPT Kalitesi ve Asya Düzenleme ve Güvenlik
Winnenden, Jan. 10, 2020

Teknik dosyayı derlemekle yetkili sorumlu:
Alexander Krug, Genel Müdür
Techtronic Industries GmbH
Max-Eyth-StraÙe 10, 71364 Winnenden, Germany









- EN** RYOBI is a trademark of Ryobi Limited, and is used under license.
© 2019 Techtronic Cordless GP. All rights reserved.
- FR** RYOBI est une marque déposée de Ryobi Limited, et est utilisée sous licence.
© 2019 Techtronic Cordless GP. Tous droits réservés.
- DE** RYOBI ist ein Markenzeichen von Ryobi Limited und wird in Lizenz verwendet.
© 2019 Techtronic Cordless GP. Alle Rechte vorbehalten.
- ES** RYOBI es una marca registrada de Ryobi Limited, y se utiliza bajo licencia.
© 2019 Techtronic Cordless GP. Todos los derechos reservados.
- IT** L'utilizzo del marchio registrato RYOBI è legato alla licenza concessa da Ryobi Limited.
© 2019 Techtronic Cordless GP. Tutti i diritti riservati.
- NL** RYOBI is een handelsmerk van Ryobi Limited en wordt onder licentie gebruikt.
© 2019 Techtronic Cordless GP. Alle rechten voorbehouden.
- PT** RYOBI é uma marca comercial de Ryobi Limited, e é utilizada sob licença.
© 2019 Techtronic Cordless GP. Todos os direitos reservados.
- DA** RYOBI er et varemærke tilhørende Ryobi Limited og bruges under licens.
© 2019 Techtronic Cordless GP. Alle rettigheder forbeholdes.
- SV** RYOBI är en del av varumärke Ryobi Limited och dess användning är licensierad.
© 2019 Techtronic Cordless GP. Alla rättigheter förbehålls.
- FI** RYOBI on Ryobi Limitedin omistama tavaramerkki, ja sitä käytetään lisenssin puitteissa.
© 2019 Techtronic Cordless GP. Kaikki oikeudet pidätetään.
- NO** RYOBI er et varemærke for Ryobi Limited, og brukes under lisens.
© 2019 Techtronic Cordless GP. Alle rettigheter forbeholdt.
- RU** RYOBI является товарным знаком компании Ryobi Limited, используемым по лицензии.
© 2019 Techtronic Cordless GP. Все права защищены.
- PL** RYOBI to znak towarowy firmy Ryobi Limited i jest używany zgodnie z udzieloną licencją.
© 2019 Techtronic Cordless GP. Wszelkie prawa zastrzeżone.
- CS** RYOBI je ochranná známka společnosti Ryobi Limited a její používání podléhá licenci.
© 2019 Techtronic Cordless GP. Všechna práva vyhrazena.
- HU** A RYOBI a Ryobi Limited védjegye, használatát licenc keretében történik.
© 2019 Techtronic Cordless GP. Minden jog fenntartva.
- RO** RYOBI este o marcă comercială a firmei Ryobi Limited și este utilizată sub licență.
© 2019 Techtronic Cordless GP. Toate drepturile rezervate.
- LV** RYOBI ir Ryobi Limited preču zīme un tiek izmantota saskaņā ar licenci.
© 2019 Techtronic Cordless GP. Visas tiesības aizsargātas.
- LT** „RYOBI” yra „Ryobi Limited” prekės ženklas, naudojamas pagal licenciją.
© 2019 Techtronic Cordless GP. Visos teisės saugomos.
- ET** RYOBI on ettevõtte Ryobi Limited kaubamärk, mida kasutatakse litsentsi alusel.
© 2019 Techtronic Cordless GP. Kõik õigused kaitsitud.
- HR** RYOBI je žig tvrtke Ryobi Limited i koristi se po licenci.
© 2019 Techtronic Cordless GP. Sva prava pridržana.
- SL** RYOBI je blagovna znamka družbe Ryobi Limited in se uporablja na podlagi dovoljenja.
© 2019 Techtronic Cordless GP. Vse pravice pridržane.
- SK** RYOBI je ochranná známka spoločnosti Ryobi Limited a používa sa na základe licencie.
© 2019 Techtronic Cordless GP. Všetky práva vyhradené.
- BG** RYOBI е търговска марка на Ryobi Limited и се използва под лиценз.
© 2019 Techtronic Cordless GP. Всички права запазени.
- UK** RYOBI є товарним знаком Ryobi Limited, і використовується за ліцензією.
© 2019 Techtronic Cordless GP. Усі права зберігаються.
- TR** RYOBI, Ryobi Limited şirketine ait olup, lisans altında kullanılan bir ticari markadır.
© 2019 Techtronic Cordless GP. Tüm hakları saklıdır.





Techtronic Industries GmbH
Max-Eyth-Straße 10,
71364 Winnenden, Germany

960087386-01